



## CPX Behälter 1500L zylindrisch

Art.-Nr.: 11015



Benötigt Doppeltür




Ungefähre Größe



176 kg CO<sub>2</sub>-ekv.



EN1935/2004 (CPX 1314  
Natural)

Spezifikationen	
Material	PE
Form	Zylindrisch
Untere Form	Plan
Leistung	Geschlossen
Volumen (L)	1500
Höhe (mm)	1985
Durchmesser (mm)	1070
Dichtegehalt (max kg / l)	1,85
Auswirkungen auf das Klima (kg CO <sub>2</sub> -ekv.)	176
Recycling	 HDPE
Lebensmittel-Zulassung	Ja (CPX 1314 Natural)
Für Trinkwasser gemäß WRAS zugelassen	Ja

### Eigenschaften



Anpassbar

Recyclbar

Großer  
Temperaturbere  
ich

Chemikalienbest  
ändig

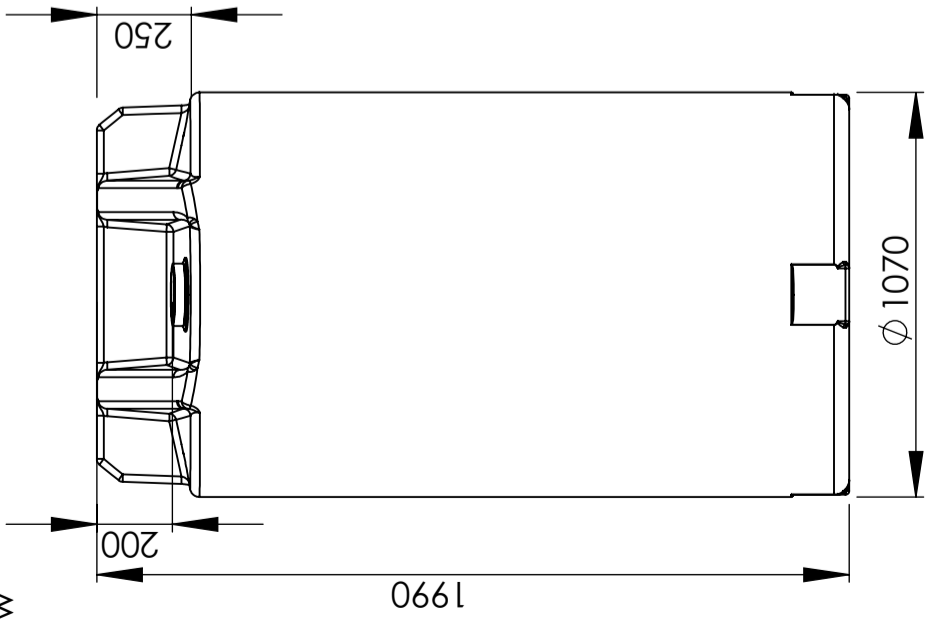
Dichtigkeitsprüf  
ung

Logistiklösung

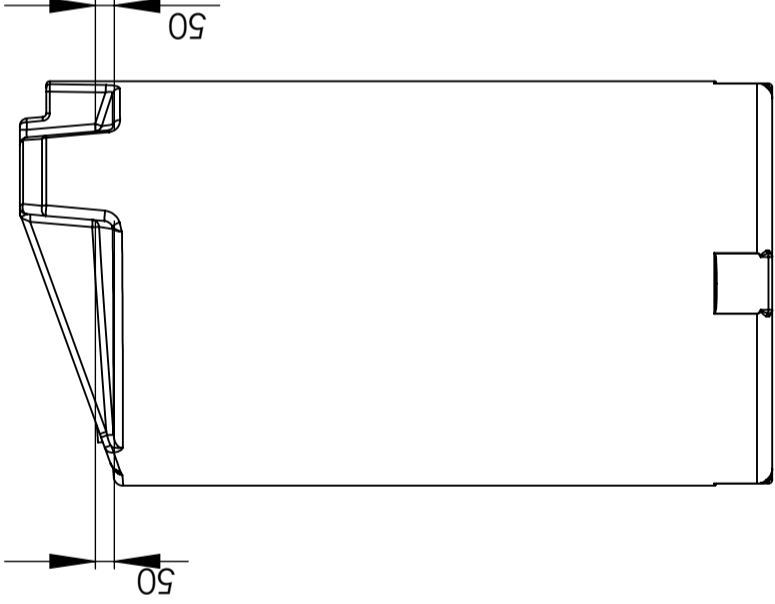
Einfach zu  
reinigen

Gedruckt 18.04.2026

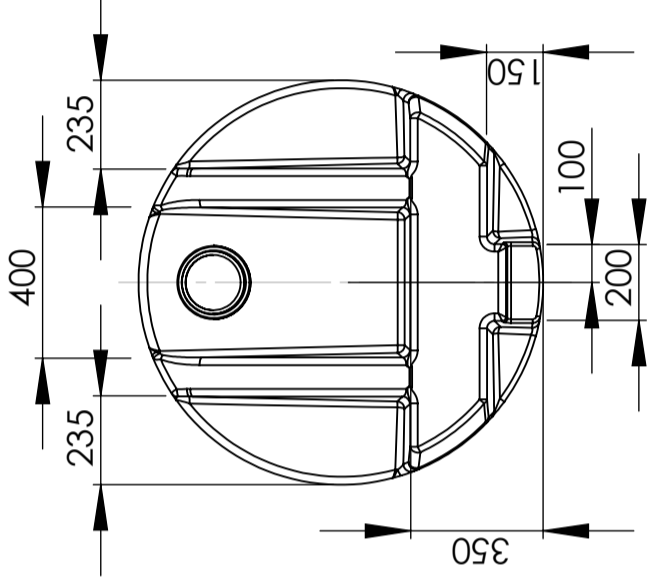
Back view



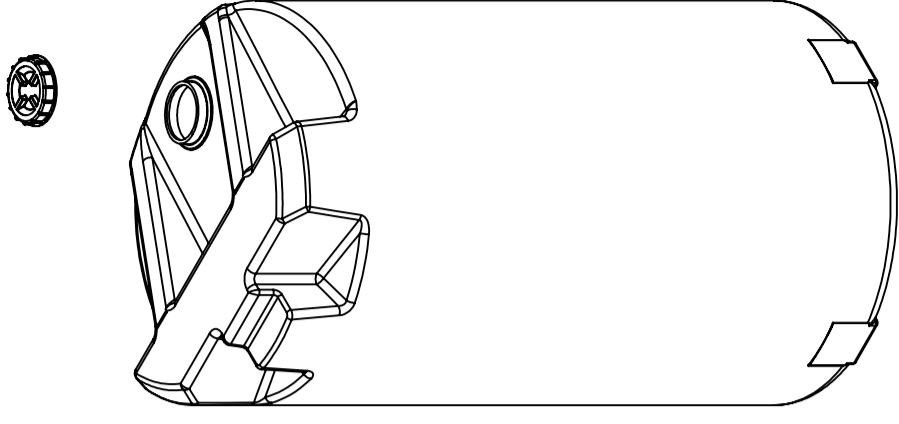
Left view



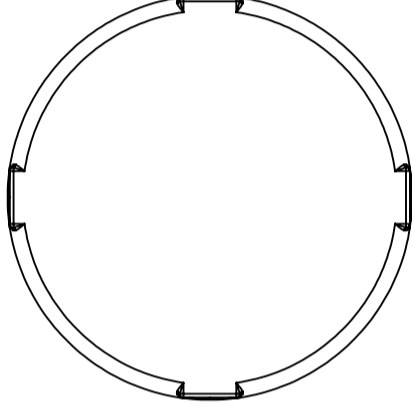
Top view



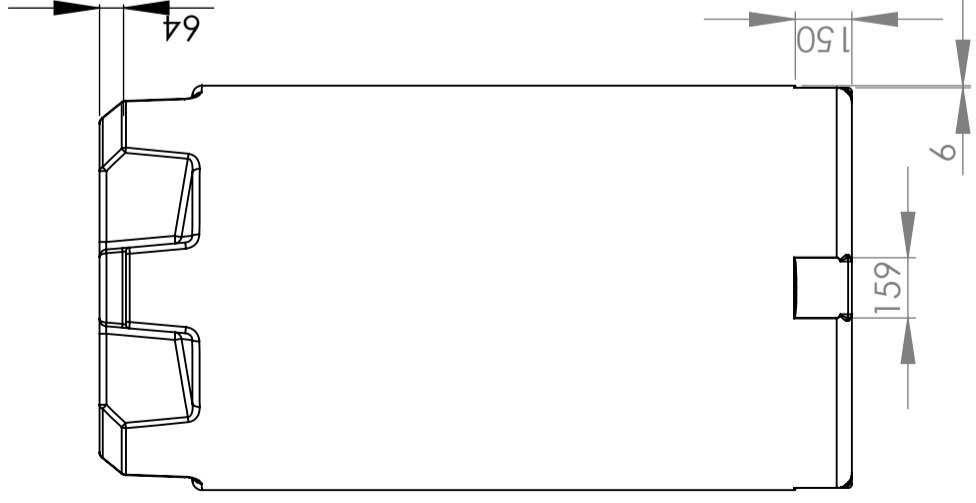
Screw Cap



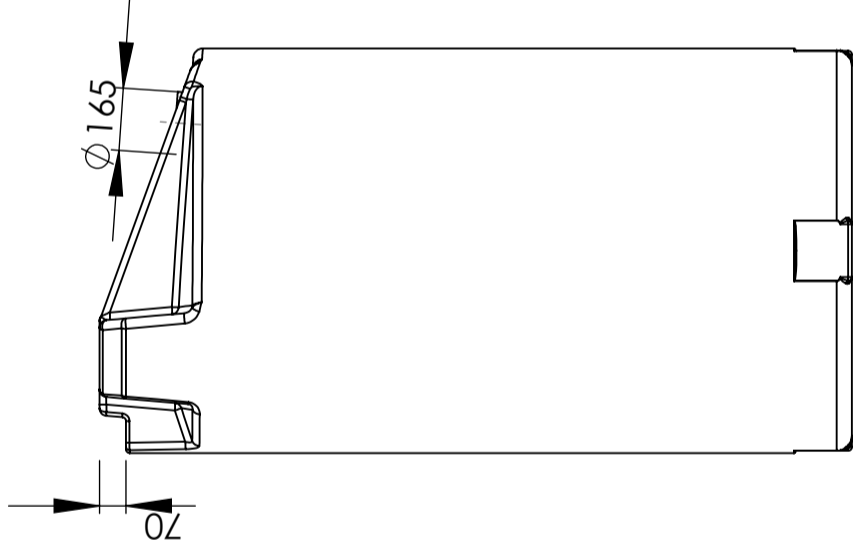
Bottom view



Front view



Right view



Opphavsrett / Copyright  
© Copyright Cipax AS



**11015**  
**Container, cylindrical**  
**1500 litres**

**523-34**

DEBUR AND  
BREAK SHARP  
EDGES

UNLESS OTHERWISE SPECIFIED:  
DIMENSIONS ARE IN MILLIMETERS  
SURFACE FINISH:  
TOLERANCES:  
LINEAR:  
ANGULAR:

SIGNATURE

DATE

NAME

DRAWN

CHK'D

APP'VD

MFG

Q.A

COMMENT:

FINISH:

DEBUR AND  
BREAK SHARP  
EDGES

SIGNATURE

DATE

NAME

DRAWN

CHK'D

APP'VD

MFG

Q.A

COMMENT:

FINISH:

DEBUR AND  
BREAK SHARP  
EDGES

SIGNATURE

DATE

NAME

DRAWN

CHK'D

APP'VD

MFG

Q.A

COMMENT:

FINISH:

DEBUR AND  
BREAK SHARP  
EDGES

SIGNATURE

DATE

NAME

DRAWN

CHK'D

APP'VD

MFG

Q.A

COMMENT:

FINISH:

DEBUR AND  
BREAK SHARP  
EDGES

SIGNATURE

DATE

NAME

DRAWN

CHK'D

APP'VD

MFG

Q.A

COMMENT:

FINISH:

DEBUR AND  
BREAK SHARP  
EDGES

SIGNATURE

DATE

NAME

DRAWN

CHK'D

APP'VD

MFG

Q.A

COMMENT:

FINISH:

DEBUR AND  
BREAK SHARP  
EDGES

SIGNATURE

DATE

NAME

DRAWN

CHK'D

APP'VD

MFG

Q.A

COMMENT:

FINISH:

DEBUR AND  
BREAK SHARP  
EDGES

SIGNATURE

DATE

NAME

DRAWN

CHK'D

APP'VD

MFG

Q.A

COMMENT:

FINISH:

DEBUR AND  
BREAK SHARP  
EDGES

SIGNATURE

DATE

NAME

DRAWN

CHK'D

APP'VD

MFG

Q.A

COMMENT:

FINISH:

DEBUR AND  
BREAK SHARP  
EDGES

SIGNATURE

DATE

NAME

DRAWN

CHK'D

APP'VD

MFG

Q.A

COMMENT:

FINISH:

DEBUR AND  
BREAK SHARP  
EDGES

SIGNATURE

DATE

NAME

DRAWN

CHK'D

APP'VD

MFG

Q.A

COMMENT:

FINISH:

DEBUR AND  
BREAK SHARP  
EDGES

SIGNATURE

DATE

NAME

DRAWN

CHK'D

APP'VD

MFG

Q.A

COMMENT:

FINISH:

DEBUR AND  
BREAK SHARP  
EDGES

SIGNATURE

DATE

NAME

DRAWN

CHK'D

APP'VD

MFG

Q.A

COMMENT:

FINISH:

DEBUR AND  
BREAK SHARP  
EDGES

SIGNATURE

DATE

NAME

DRAWN

CHK'D

APP'VD

MFG

Q.A

COMMENT:

FINISH:

DEBUR AND  
BREAK SHARP  
EDGES

SIGNATURE

DATE

NAME

DRAWN

CHK'D

APP'VD

MFG

Q.A

COMMENT:

FINISH:

DEBUR AND  
BREAK SHARP  
EDGES

SIGNATURE

DATE

NAME

DRAWN

CHK'D

APP'VD

MFG

Q.A

COMMENT:

FINISH:

DEBUR AND  
BREAK SHARP  
EDGES

SIGNATURE

DATE

NAME

DRAWN

CHK'D

APP'VD

MFG

Q.A

COMMENT:

FINISH:

DEBUR AND  
BREAK SHARP  
EDGES

SIGNATURE

DATE

NAME

DRAWN

CHK'D

APP'VD

MFG

Q.A

COMMENT:

FINISH:

DEBUR AND  
BREAK SHARP  
EDGES

SIGNATURE

DATE

NAME

DRAWN

CHK'D

APP'VD

MFG

Q.A

COMMENT:

FINISH:

DEBUR AND  
BREAK SHARP  
EDGES

SIGNATURE

DATE

NAME

DRAWN

CHK'D

APP'VD

MFG

Q.A

COMMENT:

FINISH:

DEBUR AND  
BREAK SHARP  
EDGES

SIGNATURE

DATE

NAME

DRAWN

CHK'D

APP'VD

MFG

Q.A

COMMENT:

FINISH:

DEBUR AND  
BREAK SHARP  
EDGES

SIGNATURE

DATE

NAME

DRAWN

CHK'D

APP'VD

MFG

Q.A

COMMENT:

FINISH:

DEBUR AND  
BREAK SHARP  
EDGES

SIGNATURE

DATE

NAME

DRAWN

CHK'D

APP'VD

MFG

Q.A

COMMENT:

FINISH:

DEBUR AND  
BREAK SHARP  
EDGES

SIGNATURE

DATE

NAME

DRAWN

CHK'D

APP'VD

MFG

Q.A

COMMENT:

FINISH:

DEBUR AND  
BREAK SHARP  
EDGES

SIGNATURE

DATE

NAME

DRAWN

CHK'D

APP'VD

MFG

Q.A