




CPX Lagertank 10000L konischer Boden, epoxidlackiertes Gestell

Der Tank hat eine 600-mm-Einstiegsöffnung mit O-Ring, befestigt am Tank mit einem lackierten Rohrgestell. Auf der Oberseite des Tanks sowie an der unteren Mantelfläche befinden sich vier plane Montageflächen. Der konische (30 Grad) zentrische Auslass kann zum Beispiel mit Gewinde- oder Flanschanschlüssen bestückt werden. Ergänzt wird der Tank durch ein epoxidlackiertes oder nichtrostendes Gestell und passende Anschlüsse.

Art.-Nr.: 18027



Ungefähre Größe

Spezifikationen	
Material	PE
Form	Zylindrisch
Untere Form	Konisch
Leistung	Geschlossen
Art des Deckels	
Farbe	Natürlich
Volumen (L)	10000
Höhe (mm)	4030
Durchmesser (mm)	2140
Grundfläche (m ²)	4,6
Gewicht (kg)	795
Dichtegehalt (max kg / l)	1,2
Statistische Zollnummer	3925100000
Recycling	

Eigenschaften



Anpassbar



Recyclbar



Großer
Temperaturbere-
ich



Chemikalienbest-
ändig



Dichtigkeitsprüf-
ung



Logistiklösung

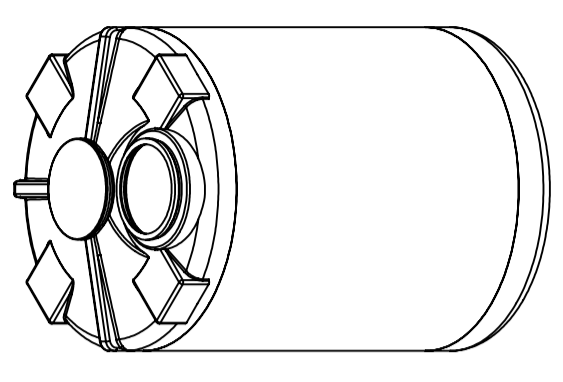
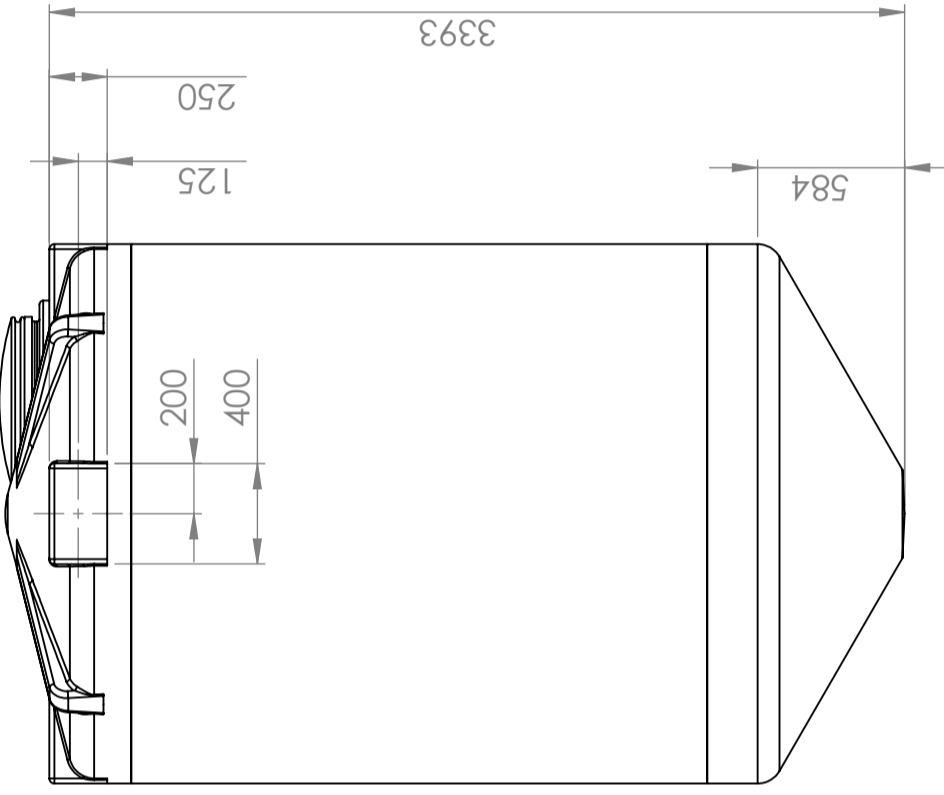
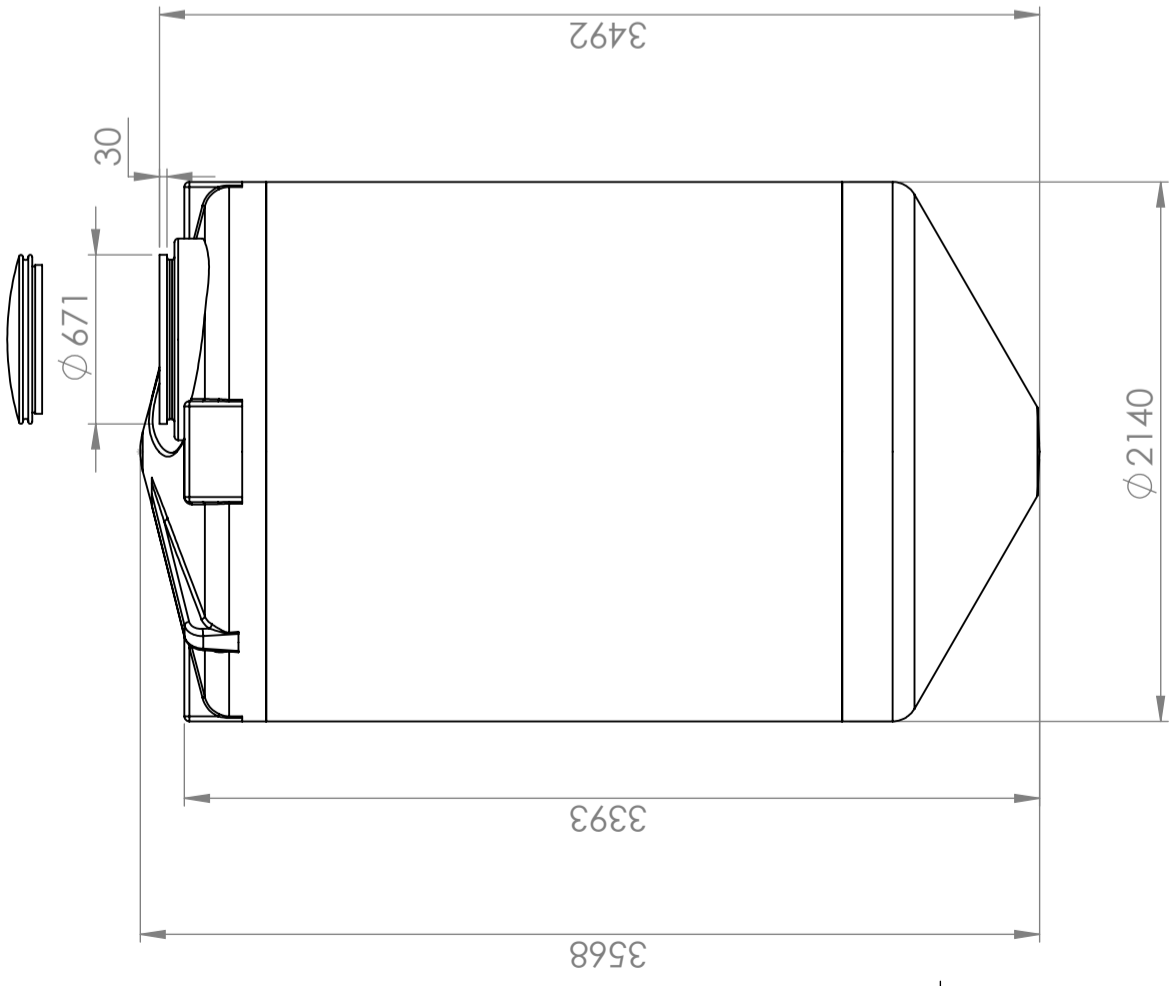


An Lebensmittel
angepasst



Einfach zu
reinigen

This drawing and design is the property of CIPAX. Copying and distribution of the drawing or any contents is prohibited without written permission from authorised personnel at CIPAX



"Manhole requires 800 mm space to open fully. Compared to maximum height"

Generelle toleranser om ikke annet oppgitt på tegning	Tilatte avvik for måleområdet. Gjelder ved +20° C
General tolerances if not other stated on drawing	Permissible deviations for basic length size range. Valid +20° C
0-20	>20-75
±0.5mm	±1mm
	>75-150
	±1.5mm
	>150-300
	±1.3%
	>300
	±1%

Owner
CIPAX
 Title/Description
1225741
 Drawing number
627 - 34

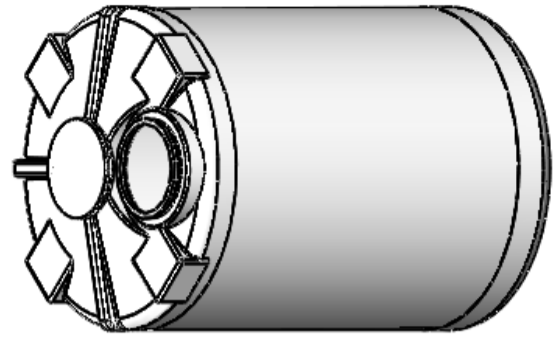
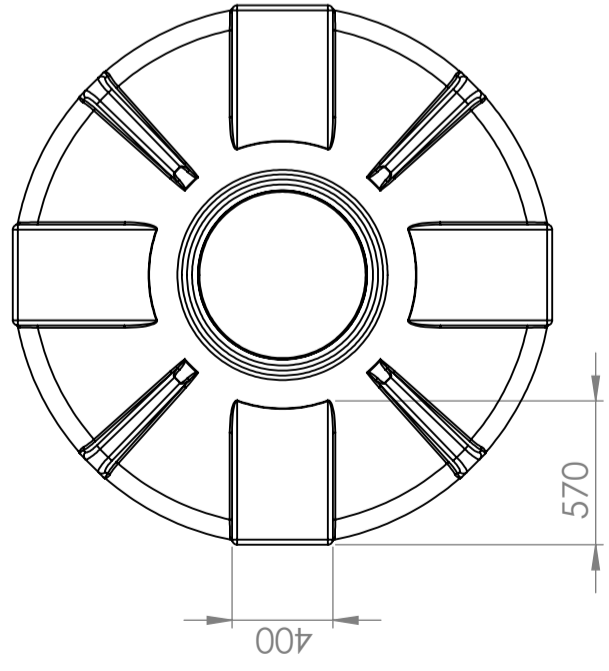
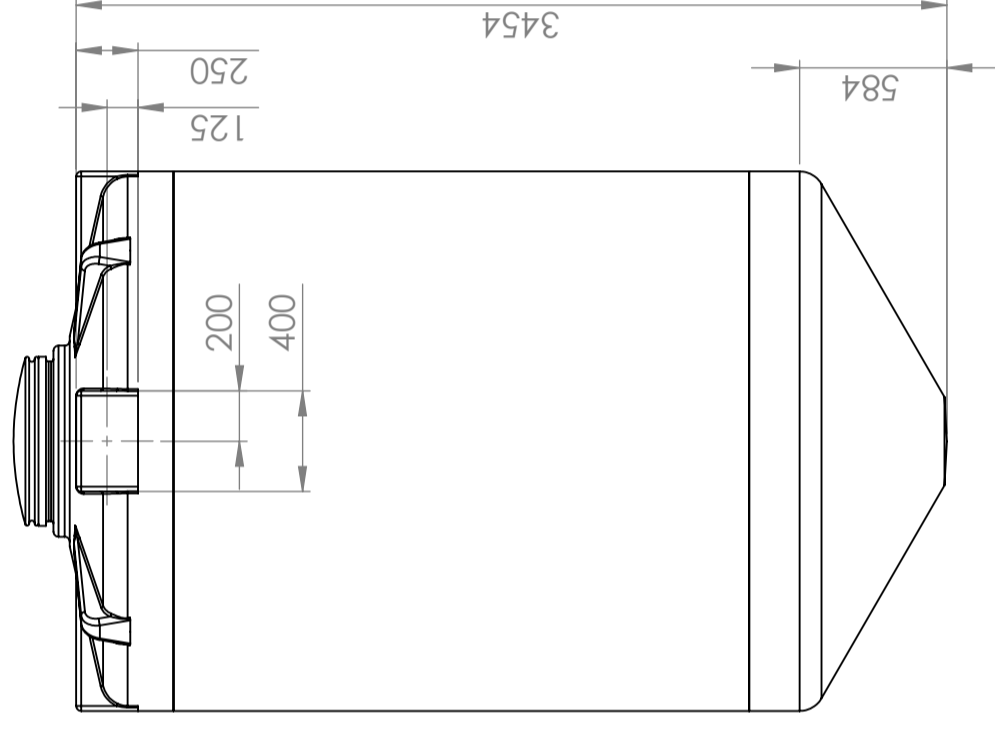
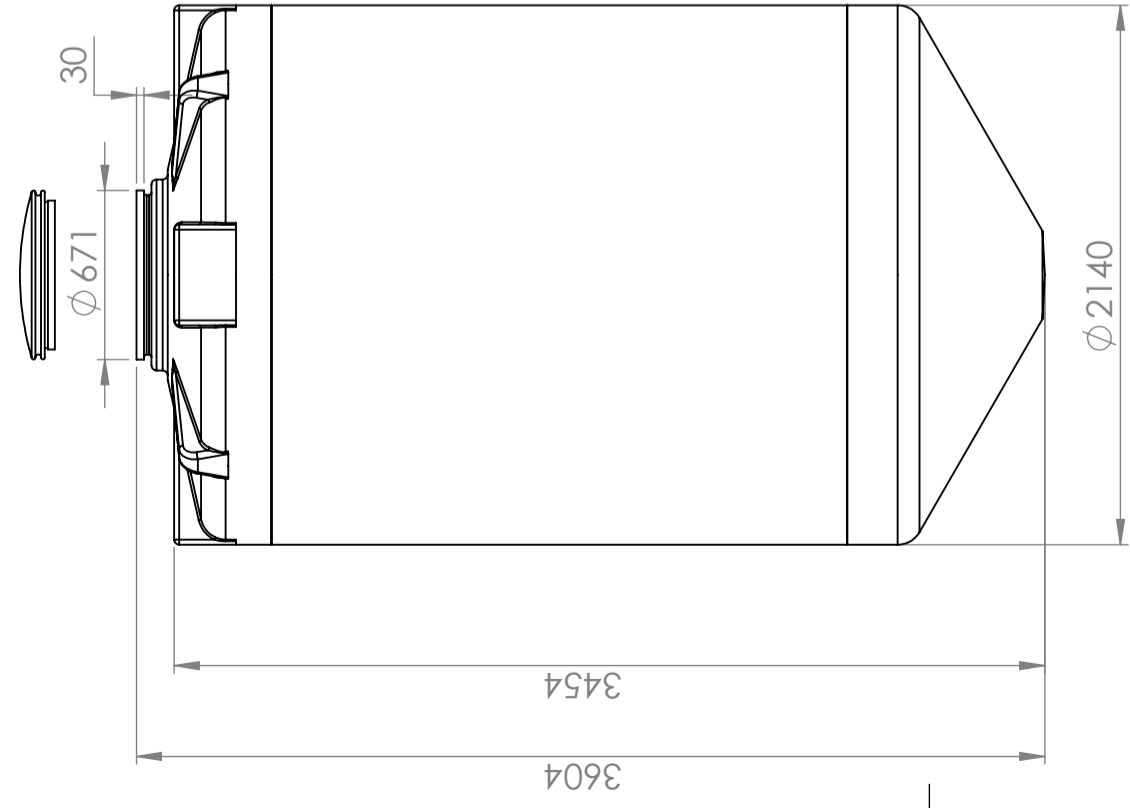
Constructed by - date M.P 22.04.2013	Evaluated by	Approved by - date	General Tolerances NS-ISO 2768-1	Material LDPE	Finish, Ra grit 120	View 	Scale 1:30
Title/Description 1225741			Material LDPE				
Drawing number 627 - 34			Finish, Ra grit 120				
Owner CIPAX			View 				
Title/Description 10000 L Kon excentric			Scale 1:30				
Drawing number 627 - 34			Material LDPE				
Approved by - date			Finish, Ra grit 120				
Evaluated by			View 				
Constructed by - date M.P 22.04.2013			Scale 1:30				

ZONE	REV.	DESCRIPTION	DATE	APPROVED
A	A	Renamed part to 1225741. Made a new drawing and updated views. M.P	22.04.2013	

REVISIONS

1 2 3 4 5 6 7 8

A B C D E F



"Manhole requires 800 mm space to open fully. Compared to maximum height"

REVISIONS

ZONE	REV.	DESCRIPTION	DATE	APPROVED
-	A	Renamed part to 1225741. Made a new drawing and updated views. M.P	22.04.2013	-

Generelle toleranser om ikke annet oppgitt på tegning	Tilatte avvik for måleområdet. Gjelder ved +20° C
General tolerances if not other stated on drawing	Permissible deviations for basic length size range. Valid +20° C
±0.5mm	0-20
±1mm	>20-75
±1.5mm	>75-150
±1.3%	>150-300
±1%	>300

Constructed by - date	Approved by - date	General Tolerances	Material	Finish, Ra	View	Scale
M.P 22.04.2013		NS-ISO 2768-1	LDPE	grit 120		1:30
Owner	Title/Description		10000 L Kon center			
	1225741		Drawing number			
	627 - 34		Revision			
	A		Sheet size			
	A3		Sheet			
	2(2)					



This drawing and design is the property of CIPAX. Copying and distribution of the drawing or any contents is prohibited without written permission from authorised personal at CIPAX.