



CPX Lagertank 10000L konischer Boden

Der Tank hat eine 600-mm -Einstiegsöffnung, befestigt am Tank mit einem lackierten Rohrgestell. Auf der Oberseite des Tanks sowie an der unteren Mantelfläche befinden sich vier plane Montageflächen. Der konische (30 Grad) zentrale Auslass kann zum Beispiel mit Gewinde- oder Flanschanschlüssen bestückt werden. Ergänzt wird der Tank durch ein epoxidlackiertes oder nichtrostendes Gestell und passende Anschlüsse. Für Eigengewicht 1,2 oder 1,85.

Art.-Nr.: 18018

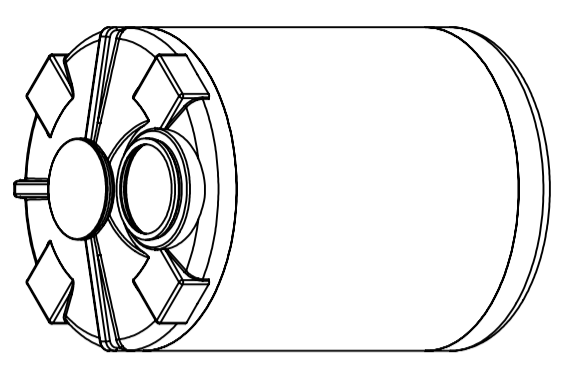
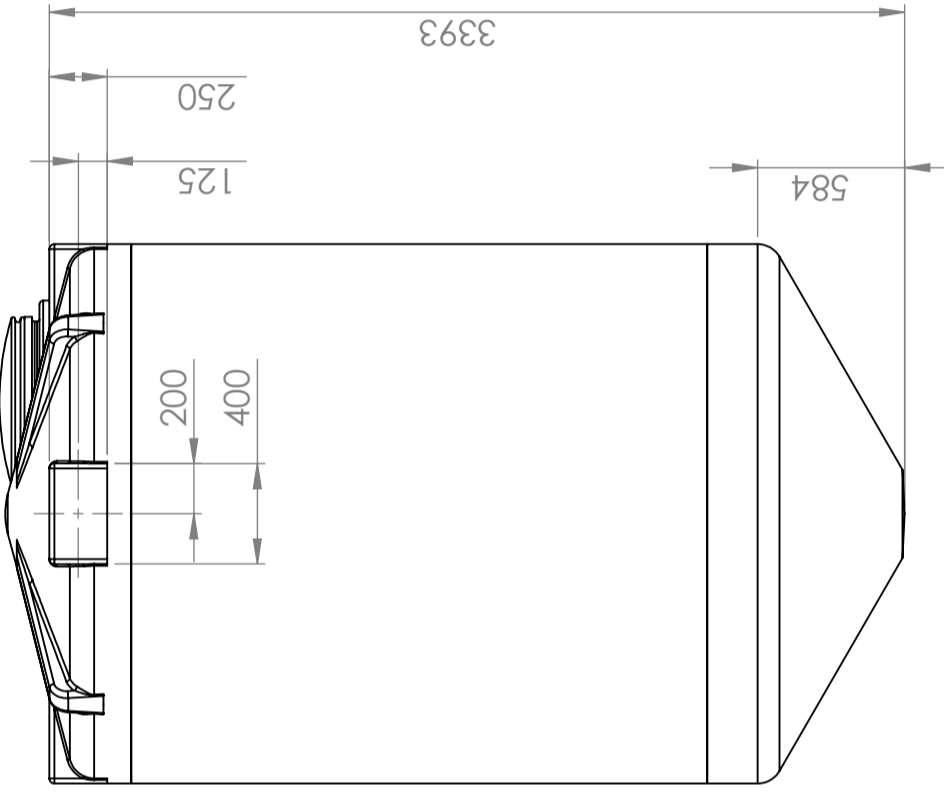
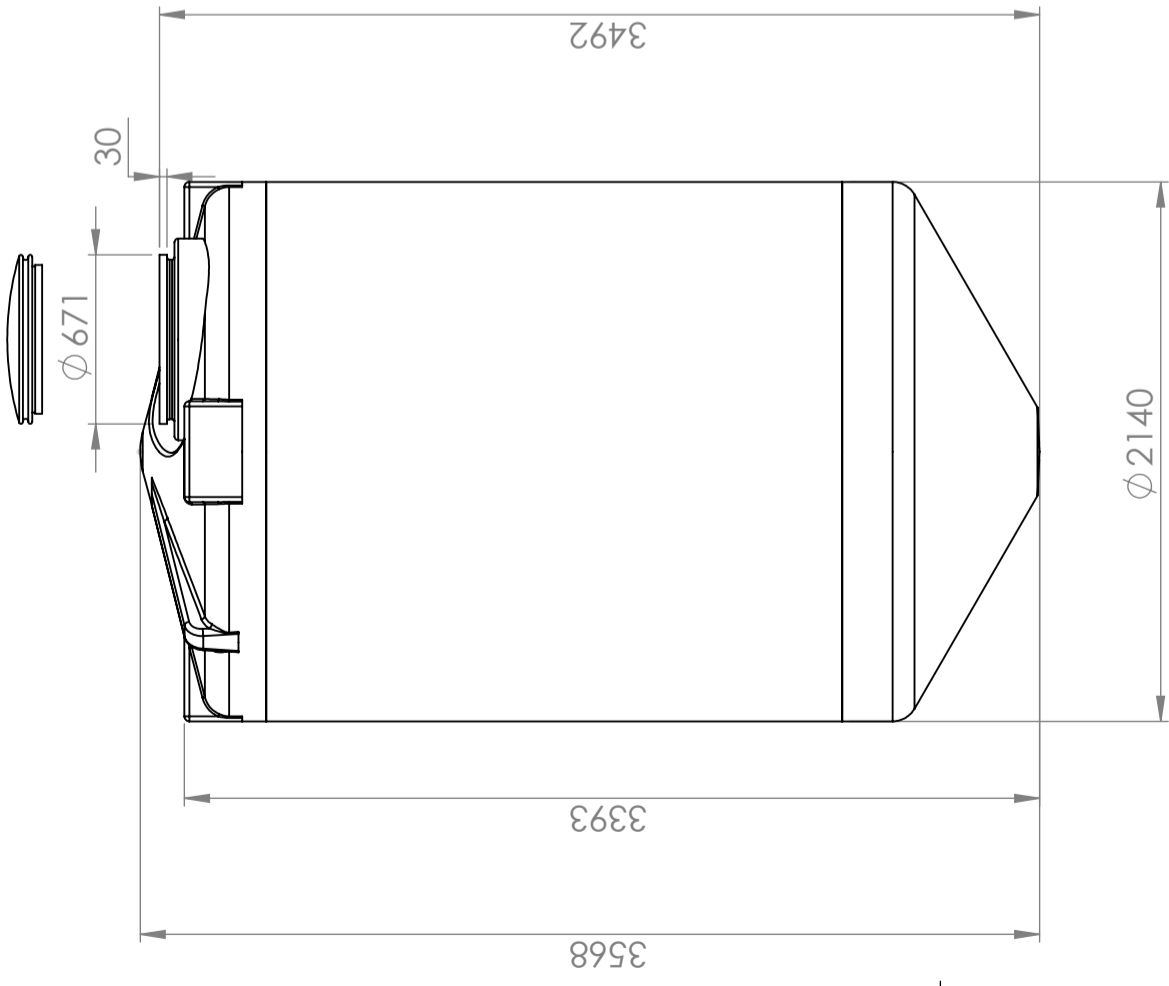
Spezifikationen

Untere Form	Konisch
Volumen (L)	10000
Höhe (mm)	3568
Durchmesser (mm)	2140
Dichtegehalt (max kg / l)	1,2

Recycling



This drawing and design is the property of CIPAX. Copying and distribution of the drawing or any contents is prohibited without written permission from authorised personnel at CIPAX



"Manhole requires 800 mm space to open fully. Compared to maximum height"

Generelle toleranser om ikke annet oppgitt på tegning	Tilatte avvik for måleområdet. Gjelder ved +20° C
General tolerances if not other stated on drawing	Permissible deviations for basic length size range. Valid +20° C
0-20	>20-75
±0.5mm	±1mm
	>75-150
	±1.5mm
	>150-300
	±1.3%
	>300
	±1%

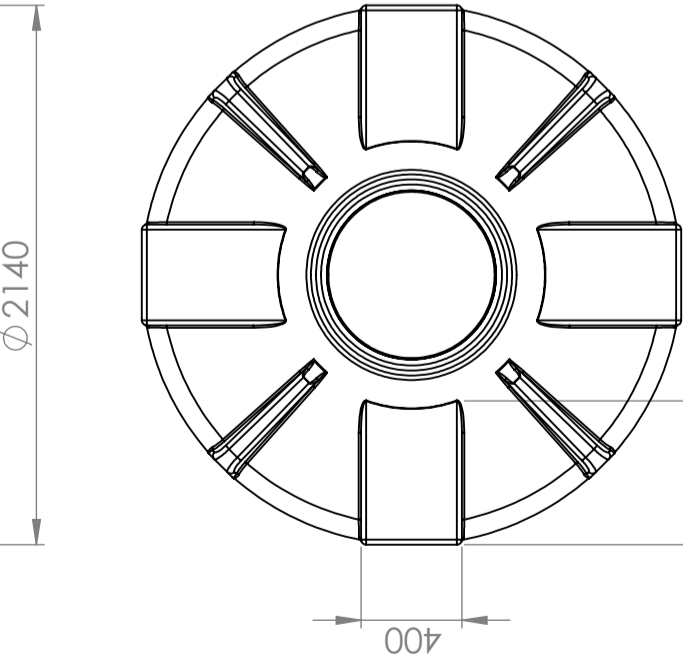
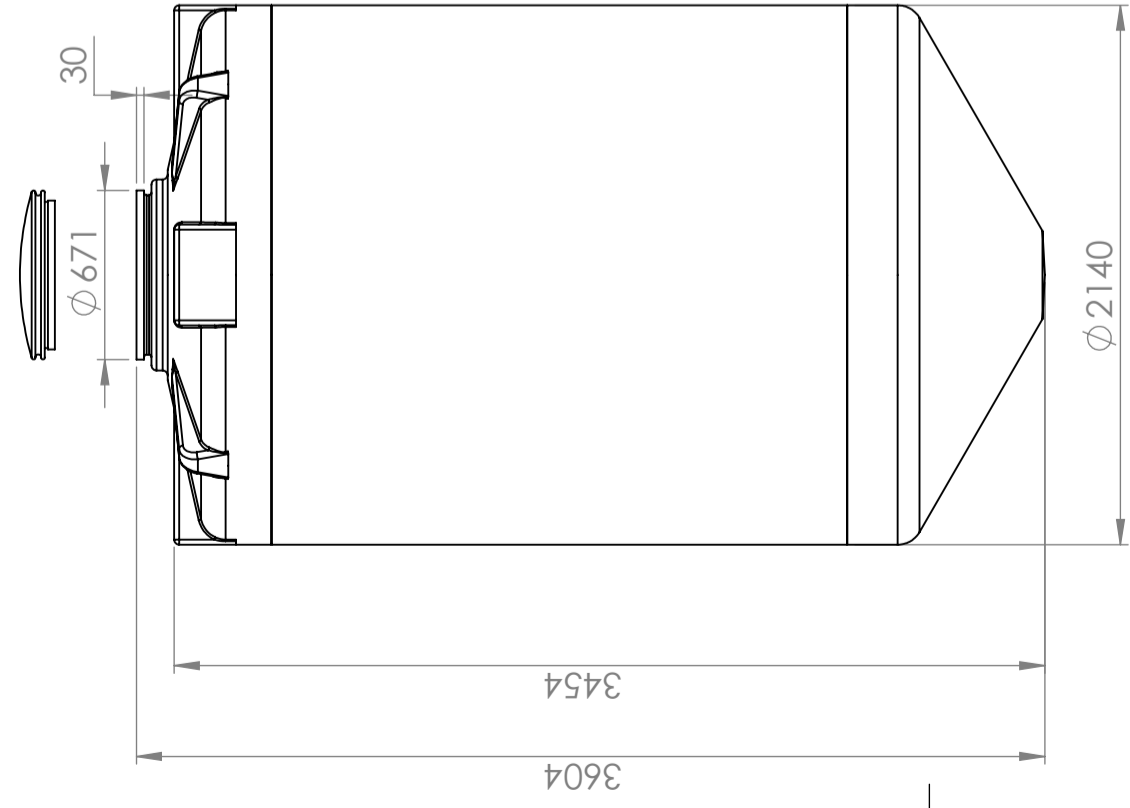
Owner
CIPAX
 Title/Description
1225741
 Drawing number
627 - 34

Constructed by - date M.P 22.04.2013	Evaluated by	Approved by - date	General Tolerances NS-ISO 2768-1	Material LDPE	Finish, Ra grit 120	View 	Scale 1:30
Title/Description 1225741			Material LDPE				
Drawing number 627 - 34			Finish, Ra grit 120				
Owner CIPAX			View 				
Title/Description 10000 L Kon excentric			Scale 1:30				
Drawing number 627 - 34			Material LDPE				
Owner CIPAX			Finish, Ra grit 120				
Title/Description 10000 L Kon excentric			View 				
Drawing number 627 - 34			Scale 1:30				
Owner CIPAX			Material LDPE				
Title/Description 10000 L Kon excentric			Finish, Ra grit 120				
Drawing number 627 - 34			View 				
Owner CIPAX			Scale 1:30				
Title/Description 10000 L Kon excentric			Material LDPE				
Drawing number 627 - 34			Finish, Ra grit 120				
Owner CIPAX			View 				
Title/Description 10000 L Kon excentric			Scale 1:30				
Drawing number 627 - 34			Material LDPE				
Owner CIPAX			Finish, Ra grit 120				
Title/Description 10000 L Kon excentric			View 				
Drawing number 627 - 34			Scale 1:30				
Owner CIPAX			Material LDPE				
Title/Description 10000 L Kon excentric			Finish, Ra grit 120				
Drawing number 627 - 34			View 				
Owner CIPAX			Scale 1:30				

REVISIONS			
ZONE	REV.	DESCRIPTION	DATE
A	A	Renamed part to 1225741. Made a new drawing and updated views. M.P	22.04.2013

1 2 3 4 5 6 7 8

A B C D E F



This drawing and design is the property of CIPAX.
 Copying and distribution of the drawing or any contents
 is prohibited without written permission from authorised personnel at CIPAX

"Manhole requires 800 mm space to open fully. Compared to maximum height"

Constructed by - date	Approved by - date	General Tolerances	Material	Finish, Ra	View	Scale
M.P 22.04.2013		NS-ISO 2768-1	LDPE	grit 120		1:30
Owner	Title/Description					
	1225741		10000 L Kon center			
	Drawing number		Revision		Sheet	
	627 - 34		A		A3 2(2)	



REVISIONS				
ZONE	REV.	DESCRIPTION	DATE	APPROVED
-	A	Renamed part to 1225741. Made a new drawing and updated views. M.P	22.04.2013	-

A B C D E F

1 2 3 4 5 6 7 8