


CPX Mooring bouy MB 60L natural incl rod

Örnbojen hat eine äußere Schale aus schlagfestem Polyethylen-Kunststoff, die mit freon-freiem Polystyrol-Schaum gefüllt ist. Lochdurchmesser 60 mm.

Art.-Nr.: 30069



Spezifikationen	
Material	PE
Farbe	Natürlich
Volumen (L)	60
Höhe (mm)	330
Durchmesser (mm)	580
Lochdurchmesser (mm)	60
Recycling	 HDPE

Eigenschaften



Anpassbar



Recyclbar



Großer
Temperaturbereich

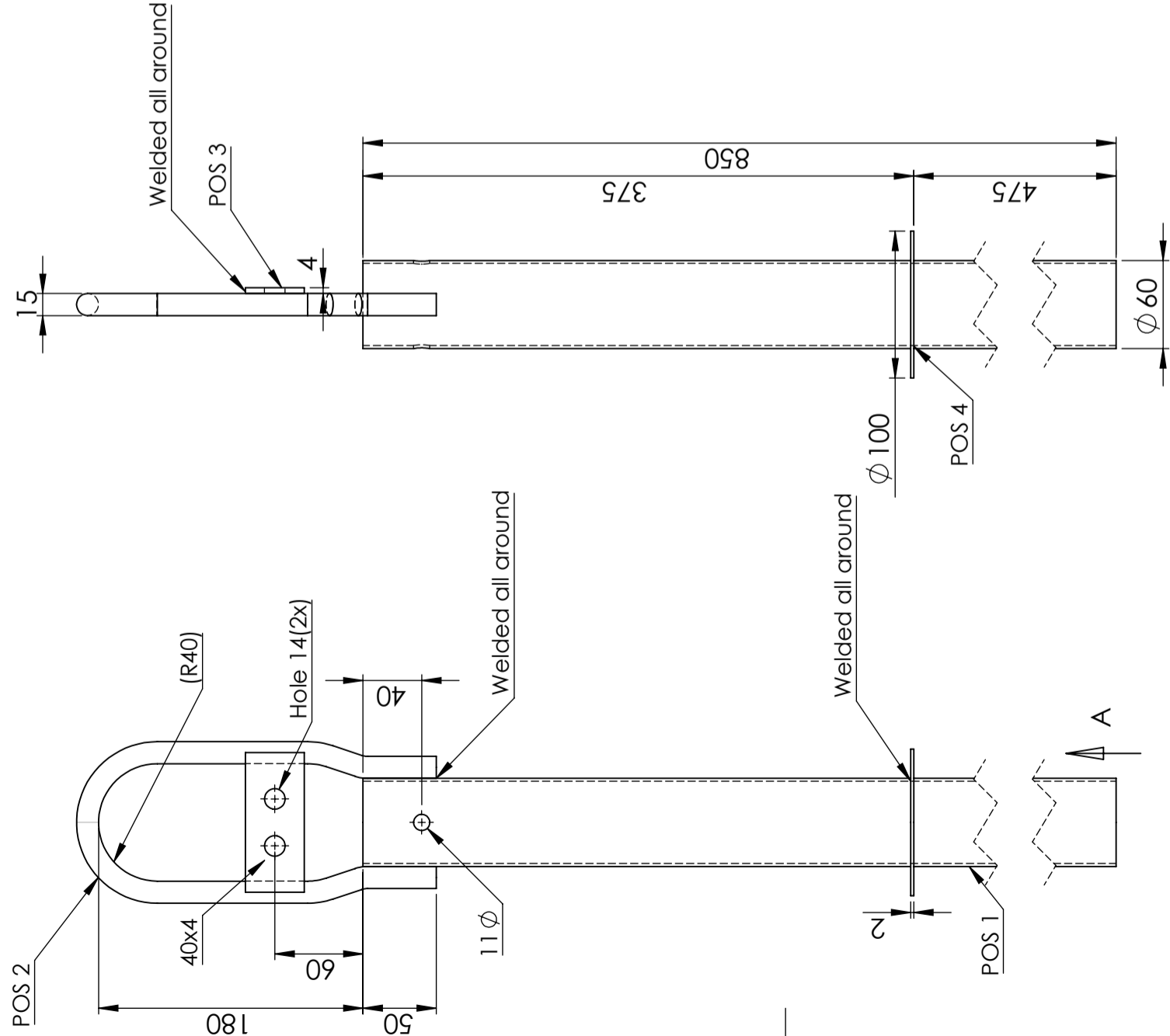


An Lebensmittel
angepasst



Einfach zu
reinigen

Revision		Reason of change		Date		Approved	
Revision		Reason of change		Date		Approved	



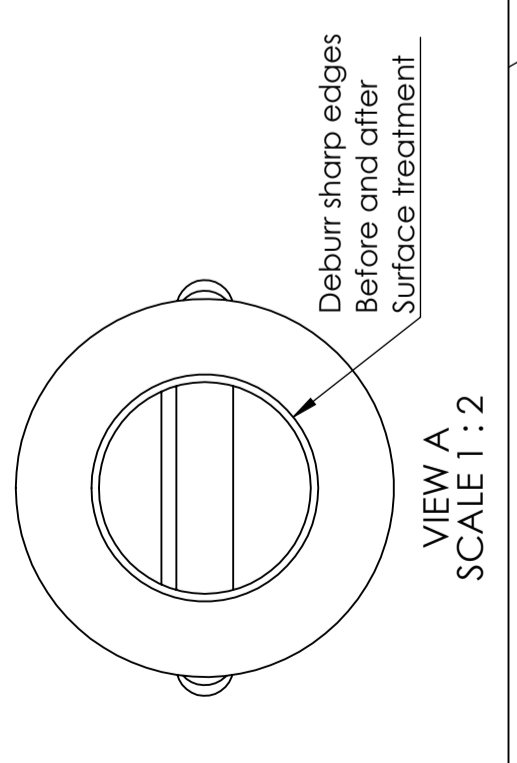
- POS 1
tube Material: EN 10305-3 (DIN 2394). t: 2 mm
- POS 2
rod Material: EN 10125 Fe 360B. ϕ 15
- POS 3
Plate Material: EN 10125 FE 360B. t: 4 mm
- POS 4
Plate Material: EN 10130 FeP01. t: 2 mm

Coating: Fe/Zn 115 ISO 1461.
 DETAIL C
 SCALE 1 : 2 SECTION B-B

The bolt / nut / washer shall be assembled on each bouyrod

A	B	C
Bolt ISO 4014 DIN 931 FZV	NUT DIN 985 FZV	Washer 30x30x3 S4B FZV DIN 436
M10 x 80 62357	1	M10 Nyloc 62355
QTY	QTY	QTY
1	1	2

Designed by	Inspected by	Approved by - Date	General tolerance SS-ISO 2768-1	General surface finish, Ra	View position	Scale
		-	G			1:10
Owner			Title/Name			
CIPAX			Bojten 62210 60 LIT			
			Drawing Number			
			62210			
			Edition		Page	
			A		1(1)	



This drawing and design is the property of CIPAX. Copying and distribution of the drawing or any contents is prohibited without written permission from authorised personal at CIPAX