


CPX Mooring bouy MB 60L red incl rod

Örnbojen hat eine äußere Schale aus schlagfestem Polyethylen-Kunststoff, die mit freon-freiem Polystyrol-Schaum gefüllt ist. Lochdurchmesser 60 mm.

Art.-Nr.: 30063



Spezifikationen	
Material	PE
Farbe	Orange
Volumen (L)	60
Höhe (mm)	330
Durchmesser (mm)	580
Lochdurchmesser (mm)	60
Gewicht (kg)	9
Recycling	 HDPE

Eigenschaften



Anpassbar



Recyclbar



Großer
Temperaturbereich

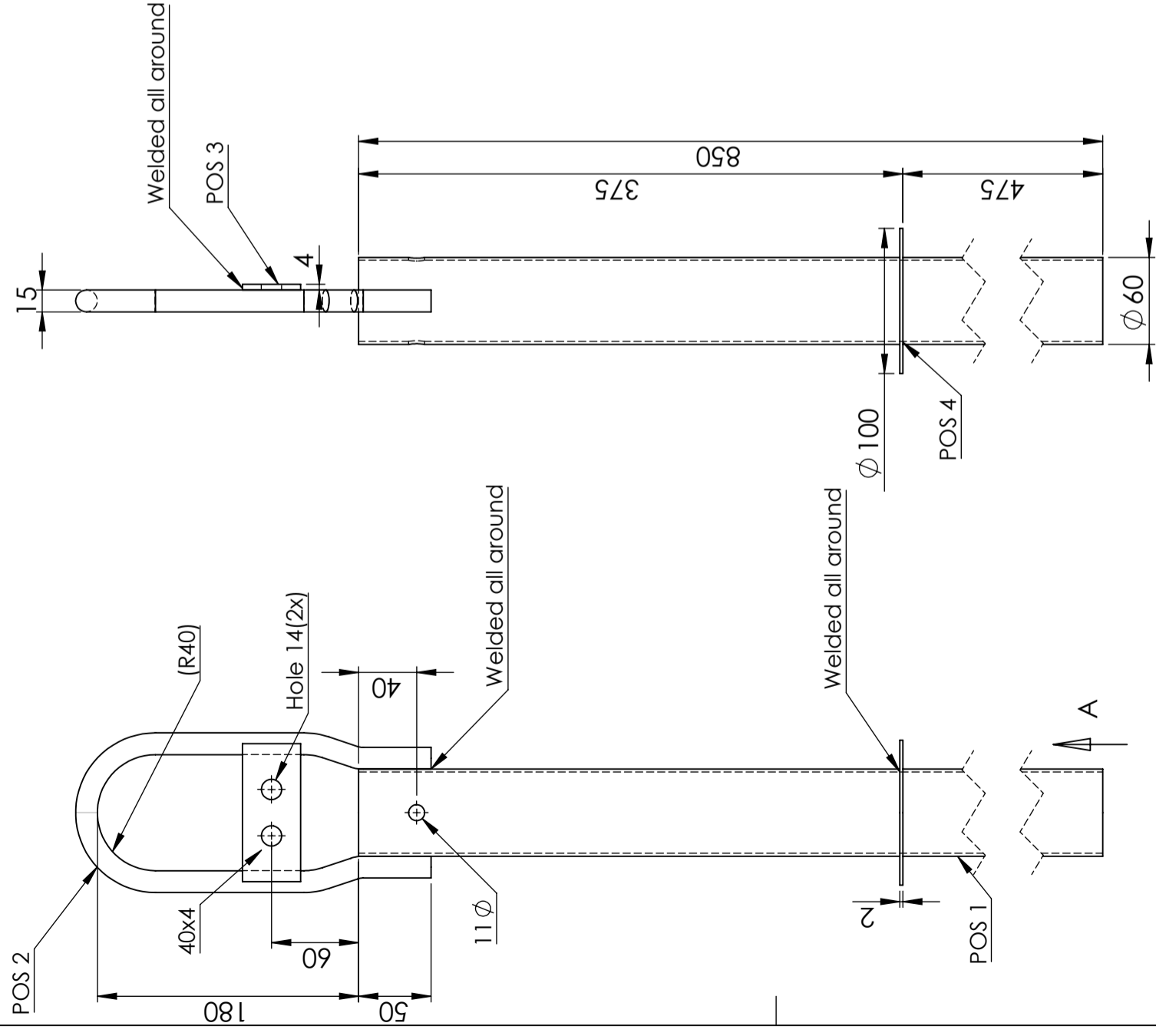


An Lebensmittel
angepasst



Einfach zu
reinigen

Revision	Reason of change	Date	Approved



- POS 1
tube Material: EN 10305-3 (DIN 2394). t: 2 mm
- POS 2
rod Material: EN 10125 Fe 360B. ϕ 15
- POS 3
Plate Material: EN 10125 FE 360B. t: 4 mm
- POS 4
Plate Material: EN 10130 FeP01. t: 2 mm

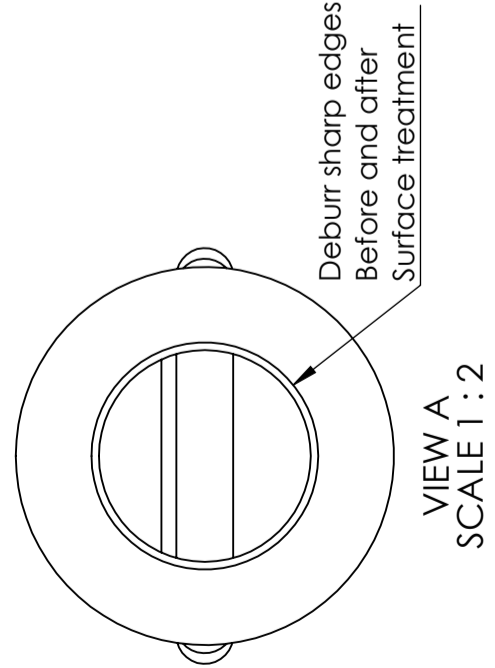
Coating: Fe/Zn 115 ISO 1461.
 DETAIL C
 SCALE 1 : 2 SECTION B-B

The bolt / nut / washer shall be assembled on each bouyrod

A	B	C
Bolt ISO 4014 DIN 931 FZV	NUT DIN 985 FZV	Washer 30x30x3 S4B FZV DIN 436
M10 x 80 62357	1	M10 Nyloc 62355
1	1	62364
QTY	QTY	QTY
1	1	2

Designed by	Inspected by	Approved by - Date	General tolerance SS-ISO 2768-1	General surface finish, Ra	View position	Scale
		-	G			1:10

Owner
CIPAX
 Title/Name
 Bojten 62210 60 LIT
 Drawing Number
 62210
 Edition
 A
 Page
 1(1)



This drawing and design is the property of CIPAX. Copying and distribution of the drawing or any contents is prohibited without written permission from authorised personal at CIPAX