



CPX Silindriline mahuti 10000 liitrit koos epoksiidvärviga viimistletud metallstatiiviga


Kõrgus koos statiiviga: 4030 mm. Vedelikele tihedusega kuni 1,85 kg/m³.

Komplekteeritakse statiiviga art. nr. 60386.

Art.nr: 18027



Ligikaudne suurus

Spetsifikatsioonid	
Materjal	PE
Vorm	Silindriline
Põhja kuju	Kooniline
Mudel	Suletud
Kaane tüüp	
Värv	Loomulik
Maht (L)	10000
Kõrgus (mm)	4030
Läbimõõt (mm)	2140
Põrandapind (m ²)	4,6
Kaal (kg)	795
Tiheduse sisaldus (max kg/l)	1,2
Tollistatistika number	3925100000
Taaskasutus	

Omadused



Kohaldatavad tooted



Taaskasutatav



Lai temperatuuriva hemik



Kemikaalidele vastupidav



Lekkekindel



Logistika lahendused



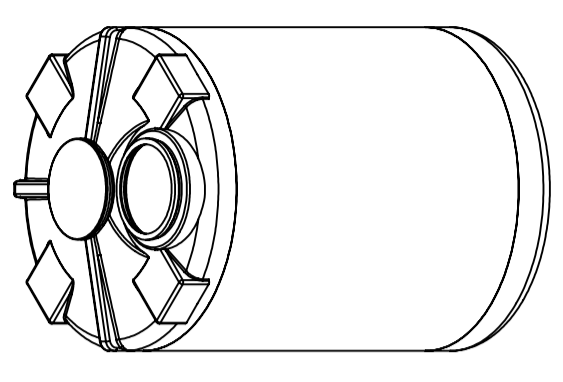
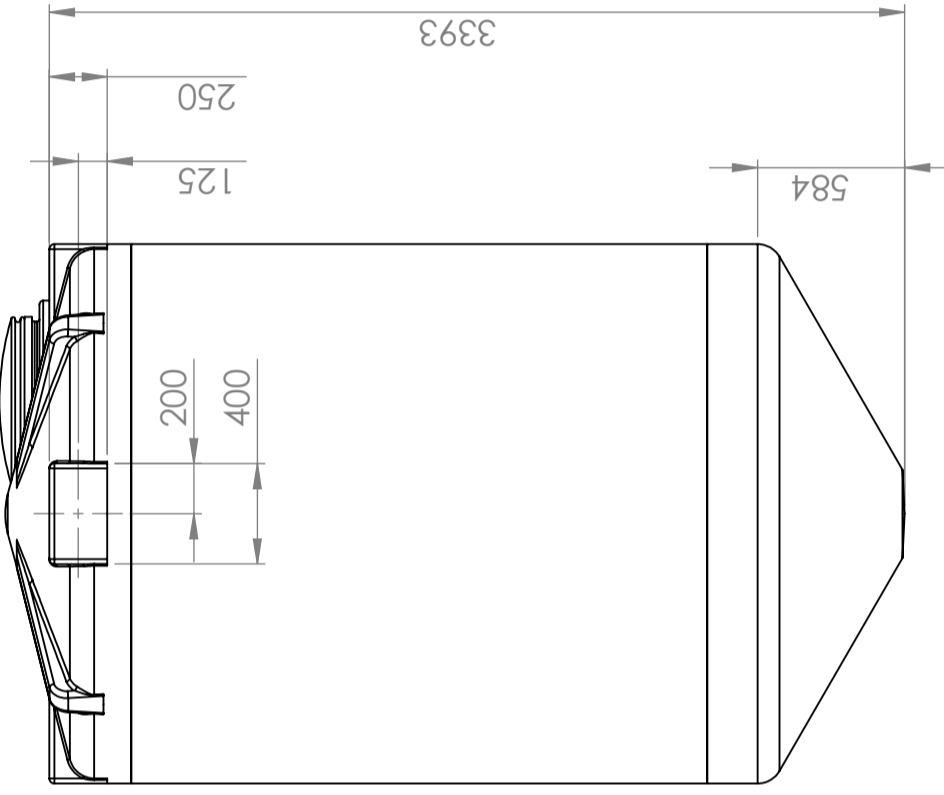
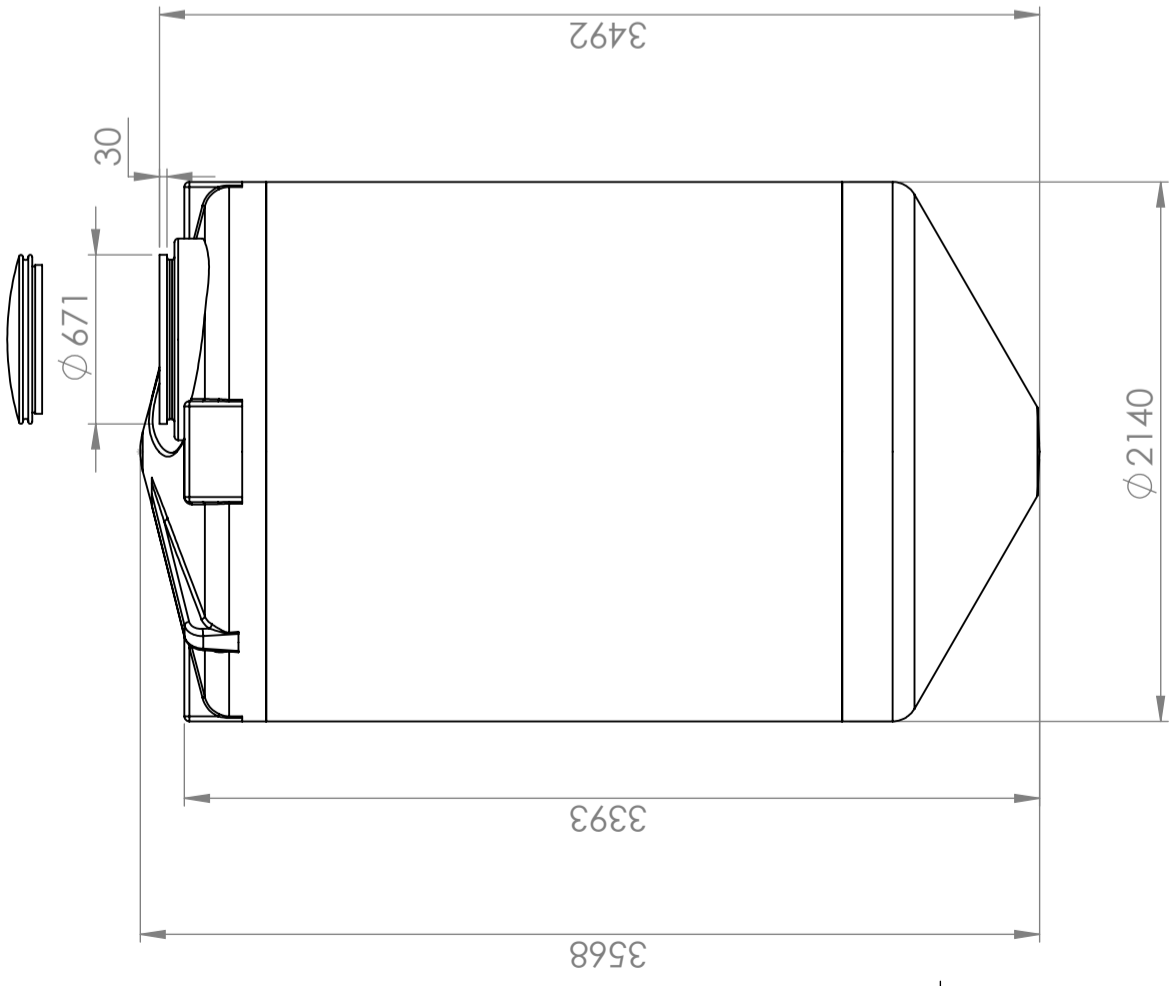
Lubatud kokkupuude toiduga



Tooteid on lihtne puhastada

Trükitud 03.07.2024

This drawing and design is the property of CIPAX. Copying and distribution of the drawing or any contents is prohibited without written permission from authorised personnel at CIPAX



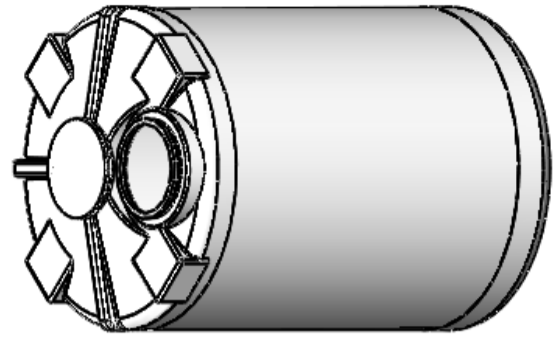
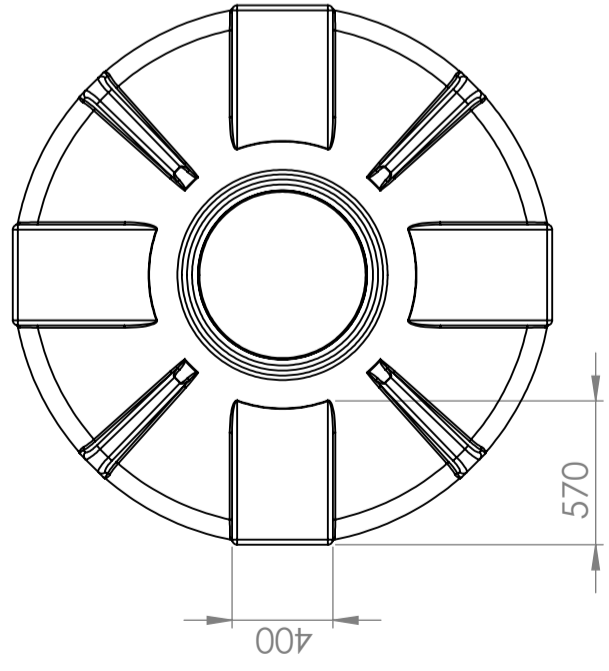
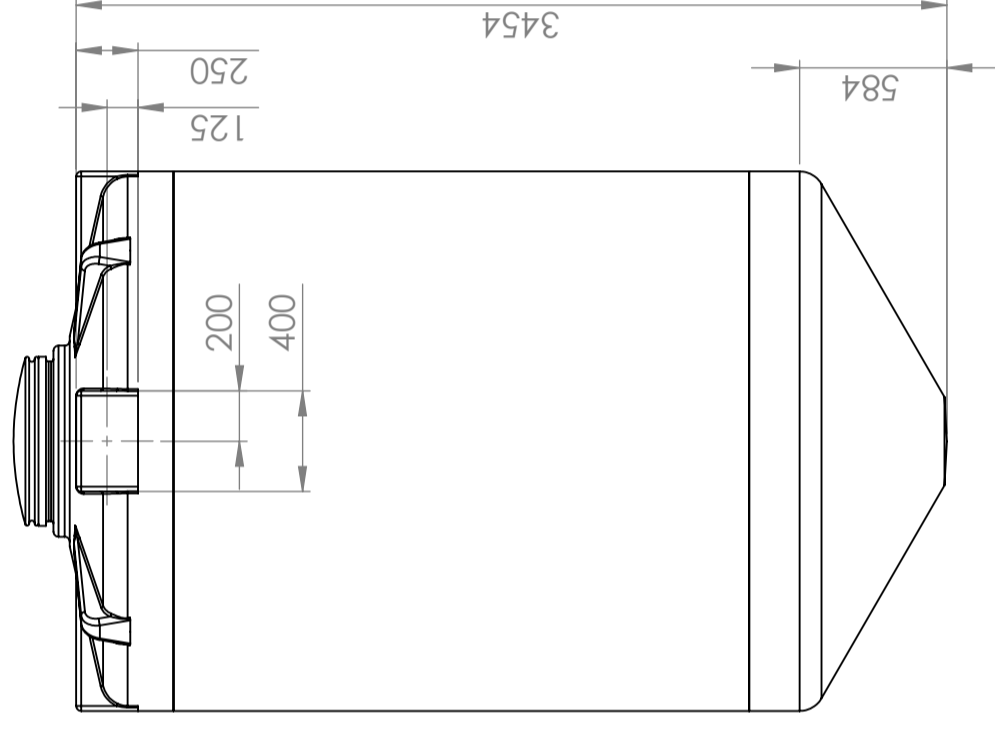
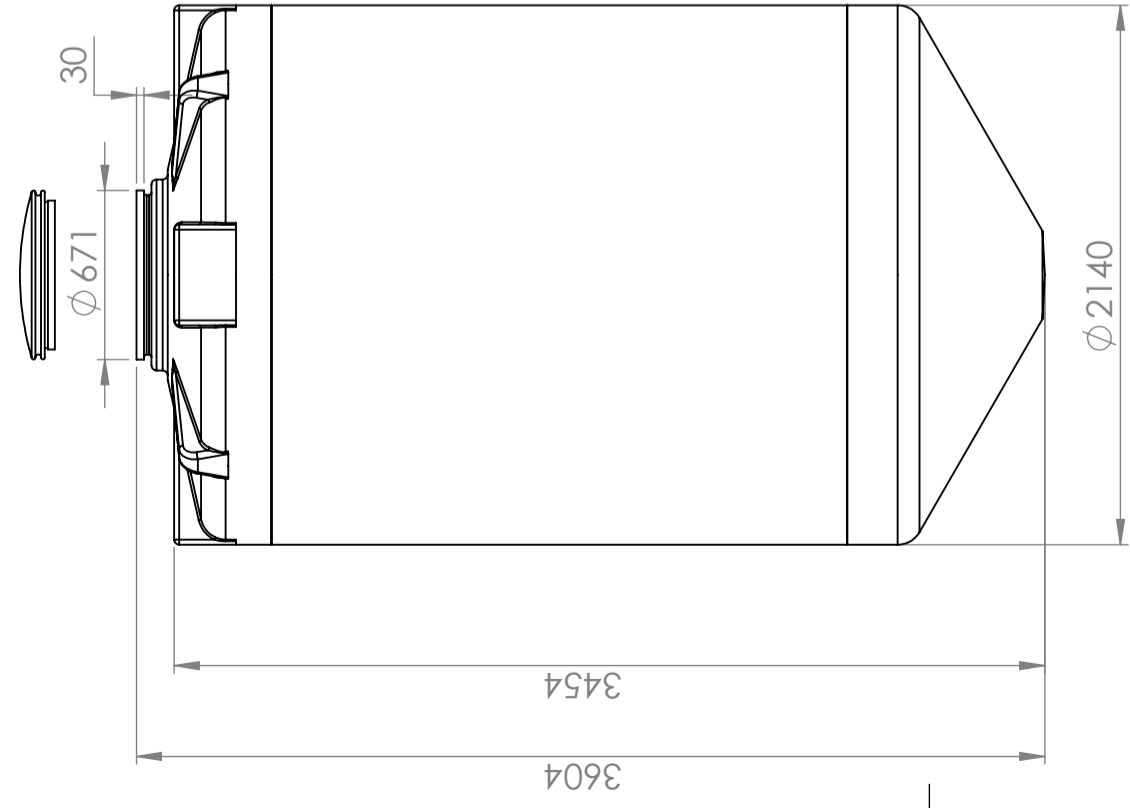
"Manhole requires 800 mm space to open fully. Compared to maximum height"

REVISIONS				
ZONE	REV.	DESCRIPTION	DATE	APPROVED
A	A	Renamed part to 1225741. Made a new drawing and updated views. M.P	22.04.2013	

Constructed by - date	Approved by - date	General Tolerances	Material	Finish, Ra	View	Scale
M.P 22.04.2013		NS-ISO 2768-1	LDPE	grit 120		1:30
Owner	Title/Description					
	1225741		10000 L Kon excentric			
	Drawing number		Revision		Sheet	
	627 - 34		A		A3 1(2)	

Generelle toleranser om ikke annet oppgitt på tegning	Tilatte avvik for måleområdet. Gjelder ved +20° C		
General tolerances if not other stated on drawing	Permissible deviations for basic length size range. Valid +20° C		
	0-20	>20-75	>75-150
	±0.5mm	±1mm	±1.5mm
		±1.3%	±1%
			>300
			±1%





"Manhole requires 800 mm space to open fully. Compared to maximum height"

REVISIONS				
ZONE	REV.	DESCRIPTION	DATE	APPROVED
-	A	Renamed part to 1225741. Made a new drawing and updated views. M.P	22.04.2013	-

Constructed by - date
 M.P 22.04.2013

Evaluated by
 Approved by - date

General Tolerances
 NS-ISO 2768-1

Material
 LDPE

Finish, Ra
 grit 120

View

Scale
 1:30

Title/Description
1225741
 10000 L Kon center

Drawing number
 627 - 34

Revision
 A

Sheet size
 A3

Sheet
 2(2)

Generelle toleranser om ikke annet oppgitt på tegning	Tilatte avvik for måleområdet. Gjelder ved +20° C
General tolerances if not other stated on drawing	Permissible deviations for basic length size range. Valid +20° C
±0.5mm	0-20
±1mm	>20-75
±1.5mm	>75-150
±1.3%	>150-300
±1%	>300

This drawing and design is the property of CIPax. Copying and distribution of the drawing or any contents is prohibited without written permission from authorised personal at CIPax