



CPX Silindriline mahuti 10000 liitrit

Kõrgus koos statiiviga: 3970 mm. Kõrgus ilma statiivita:
3600 mm. Vedelikele tihedusega kuni 1,85 kg/m³.
Komplekteeritakse statiiviga art. nr. 60386.

Art.nr: 18018

Spetsifikatsioonid

Põhja kuju Kooniline

Maht (L) 10000

Kõrgus (mm) 3568

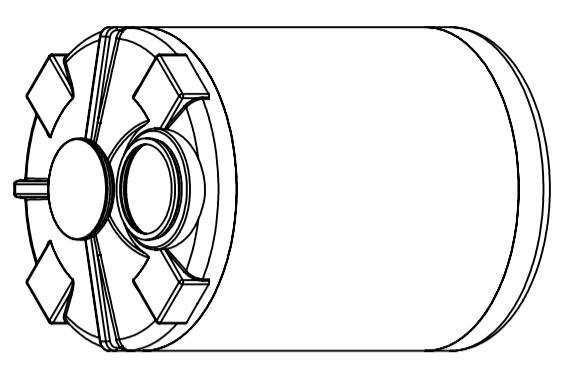
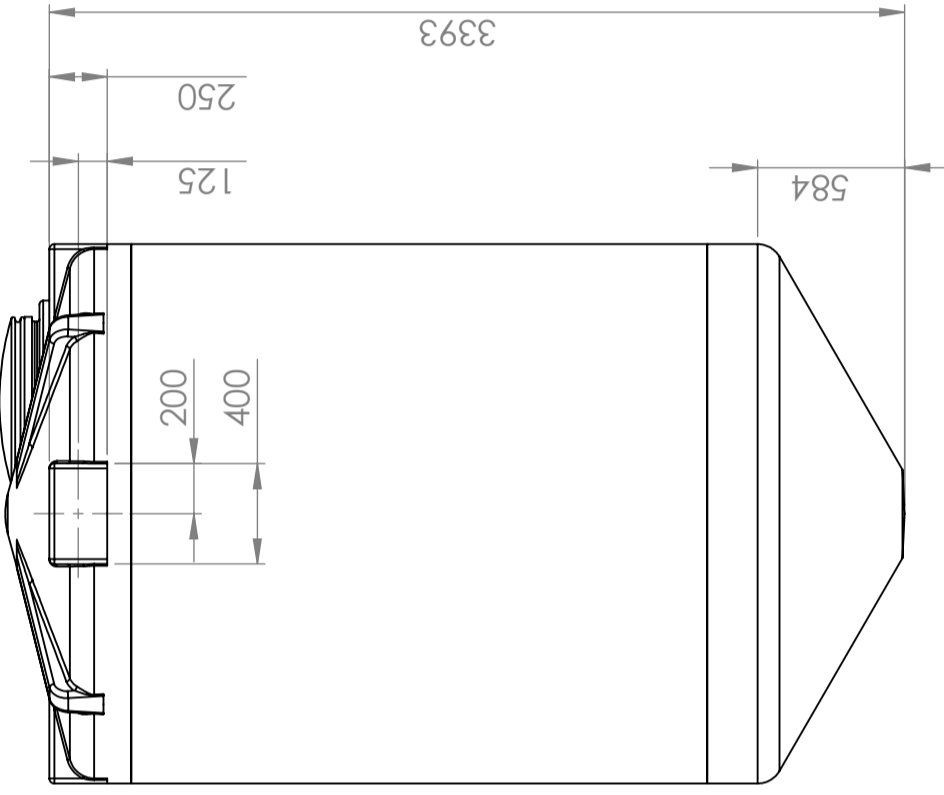
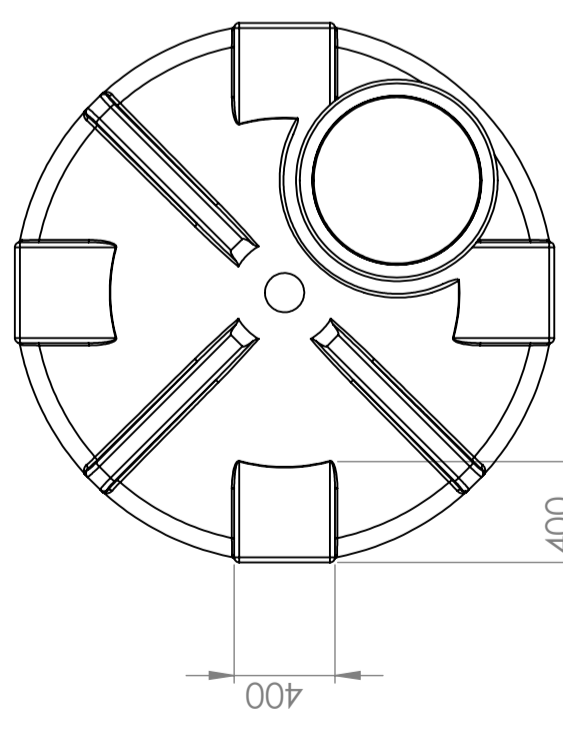
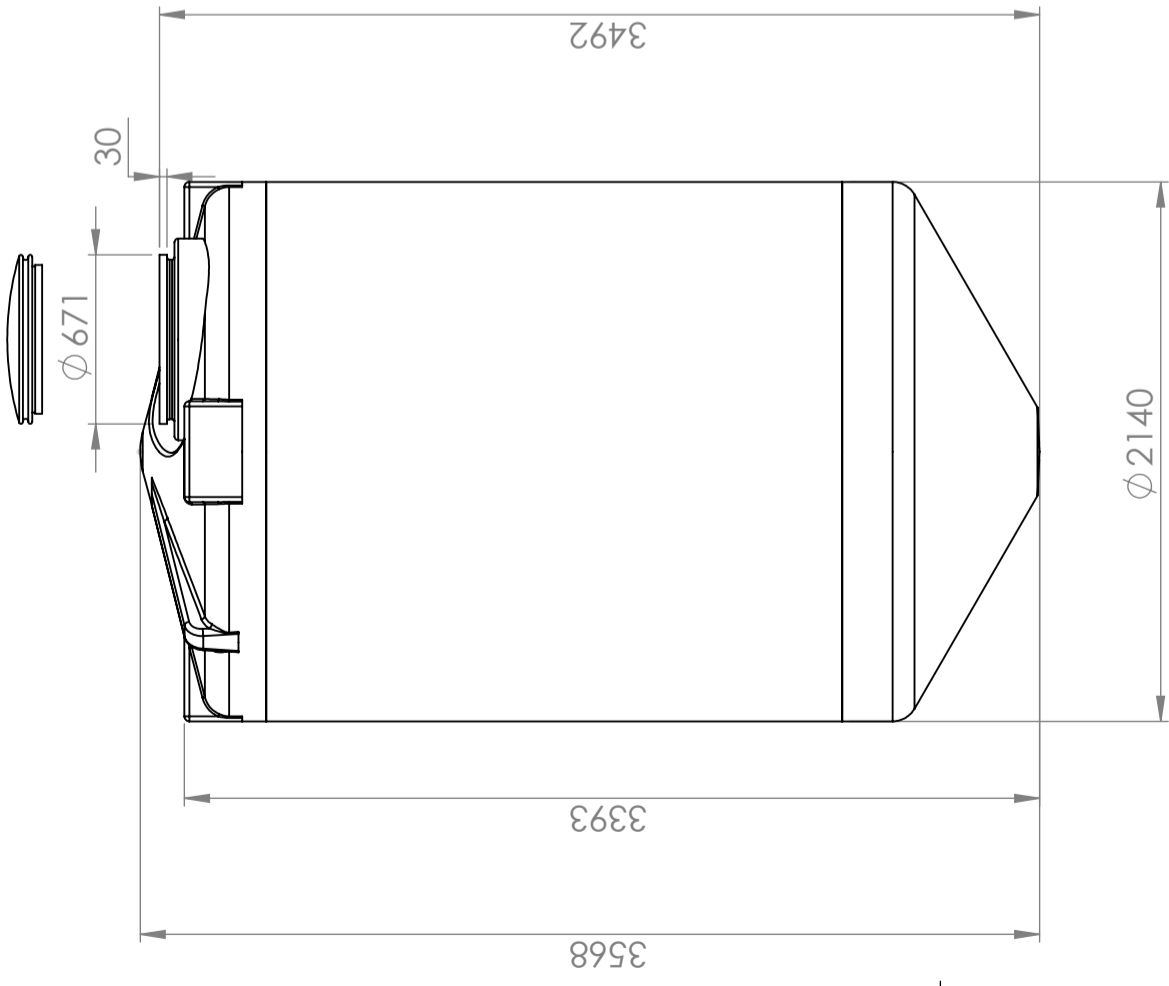
Läbimõõt (mm) 2140

Tiheduse sisaldus (max kg/l) 1,2

Taaskasutus



This drawing and design is the property of CIPAX. Copying and distribution of the drawing or any contents is prohibited without written permission from authorised personnel at CIPAX



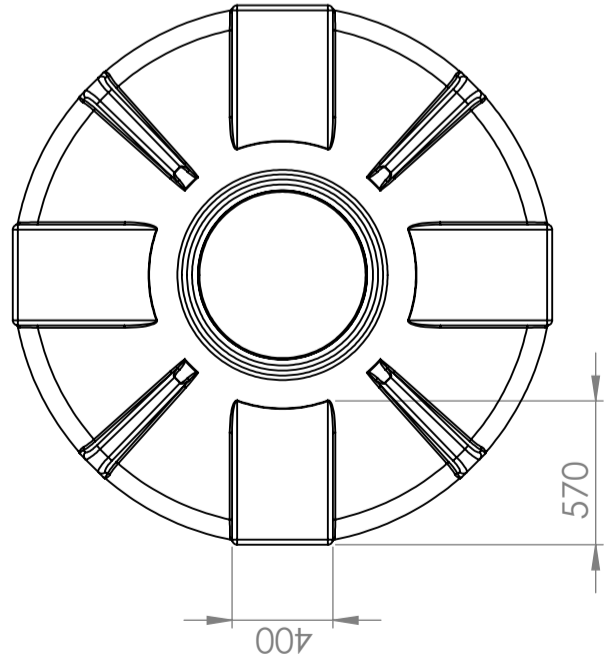
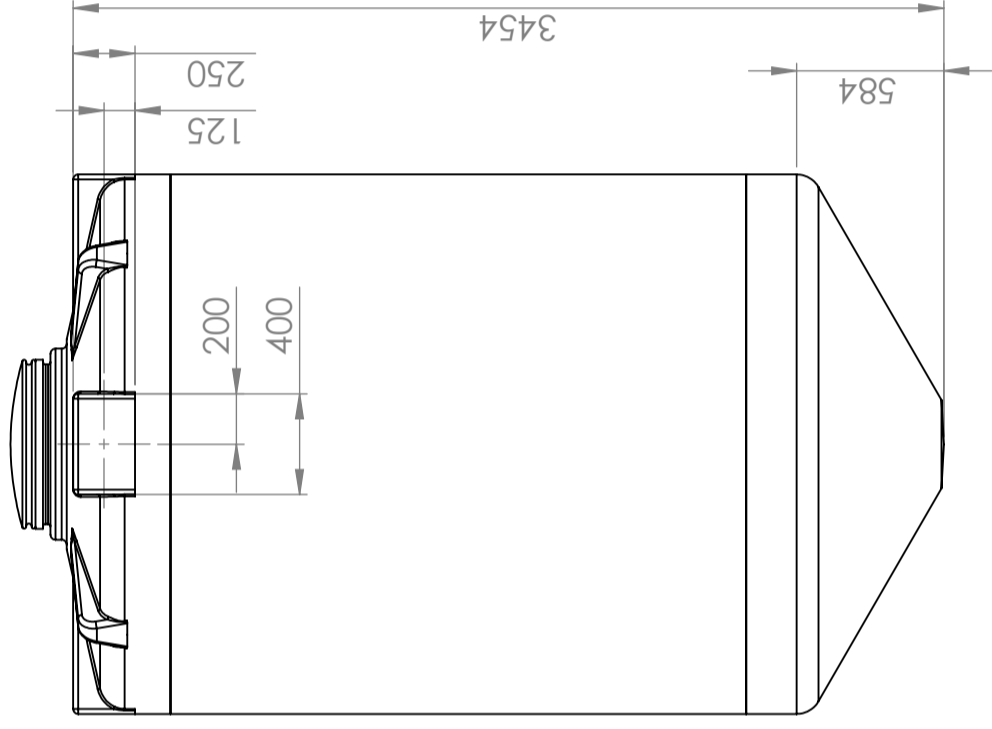
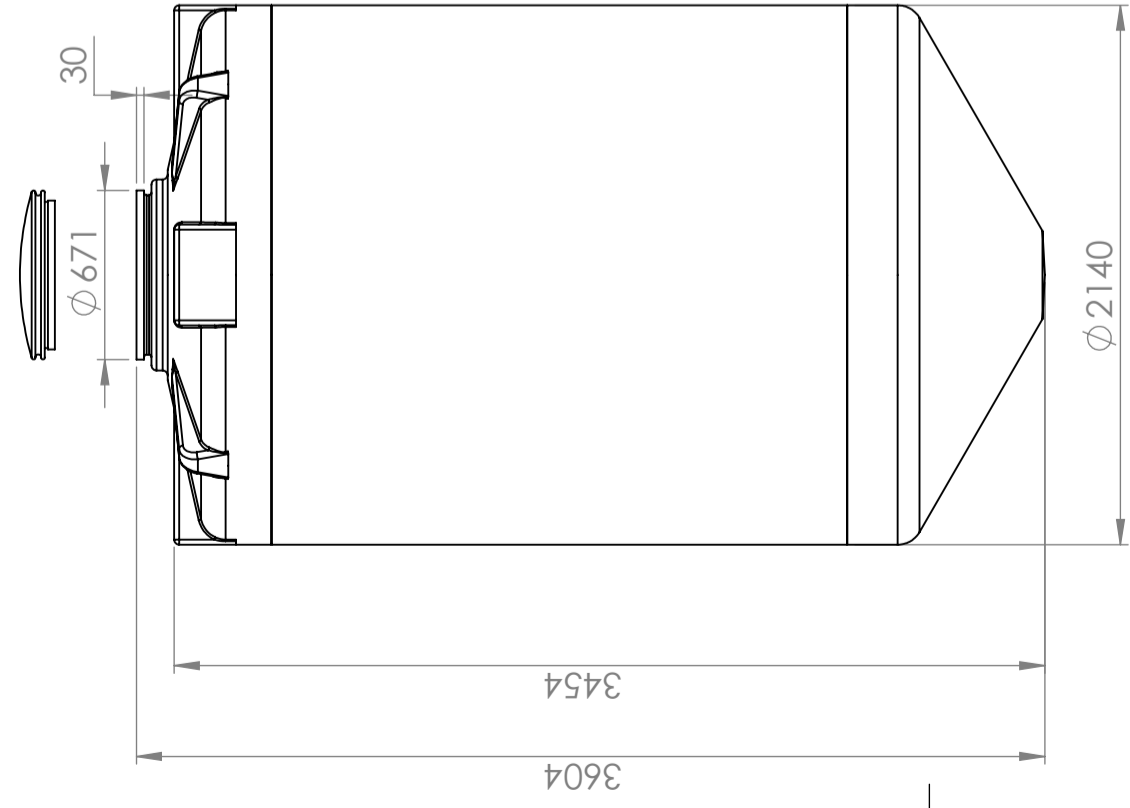
"Manhole requires 800 mm space to open fully. Compared to maximum height"

REVISIONS				
ZONE	REV.	DESCRIPTION	DATE	APPROVED
A	A	Renamed part to 1225741. Made a new drawing and updated views. M.P	22.04.2013	

Constructed by - date	Approved by - date	General Tolerances	Material	Finish, Ra	View	Scale
M.P 22.04.2013		NS-ISO 2768-1	LDPE	grit 120		1:30
Owner	Title/Description					
	1225741		10000 L Kon excentric			
	Drawing number		Revision	Sheet size	Sheet	
	627 - 34		A	A3	1(2)	

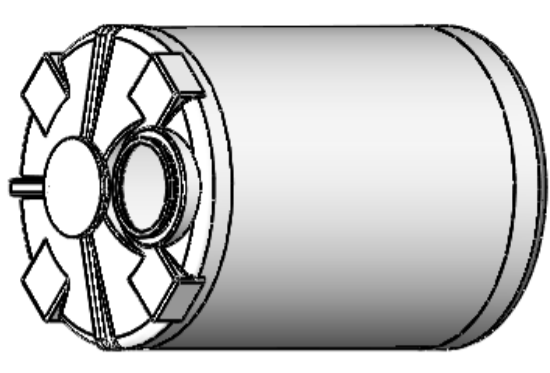
Generelle toleranser om ikke annet oppgitt på tegning	Tilatte avvik for måleområdet. Gjelder ved +20° C		
General tolerances if not other stated on drawing	Permissible deviations for basic length size range. Valid +20° C		
	0-20	>20-75	>75-150
	±0.5mm	±1mm	±1.5mm
		±1.3%	±1%
			>300
			±1%





This drawing and design is the property of CIPAX. Copying and distribution of the drawing or any contents is prohibited without written permission from authorised personnel at CIPAX.

"Manhole requires 800 mm space to open fully. Compared to maximum height"



REVISIONS

ZONE	REV.	DESCRIPTION	DATE	APPROVED
-	A	Renamed part to 1225741. Made a new drawing and updated views. M.P	22.04.2013	-

Constructed by - date	Approved by - date	General Tolerances	Material	Finish, Ra	View	Scale
M.P 22.04.2013		NS-ISO 2768-1	LDPE	grit 120		1:30
Owner	Title/Description		10000 L Kon center			
	1225741		Drawing number			
	627 - 34		Revision			
			A			
			A3			
			2(2)			



Generelle toleranser om ikke annet oppgitt på tegning	Tilatte avvik for måleområdet. Gjelder ved +20° C		
General tolerances if not other stated on drawing	Permissible deviations for basic length size range. Valid +20° C		
	0-20	>20-75	>75-150
	±0.5mm	±1mm	±1.5mm
			±1.3%
			±1%
			>300