



## CPX Silindriline mahuti 2000 liitrit

Kõrgus koos raamiga: 2560 mm Kõrgus ilma raamita: 2135 mm. For liquids up to density 1,85

Art.nr: 18015

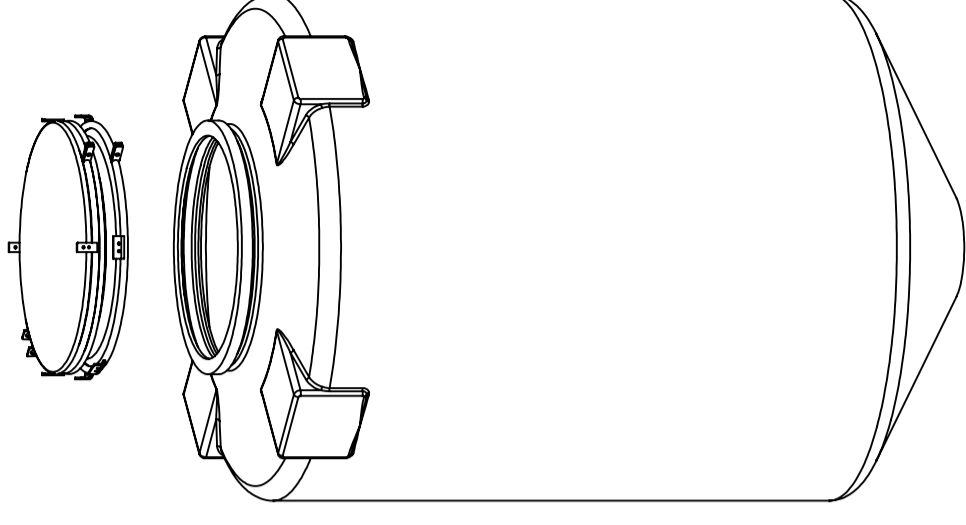
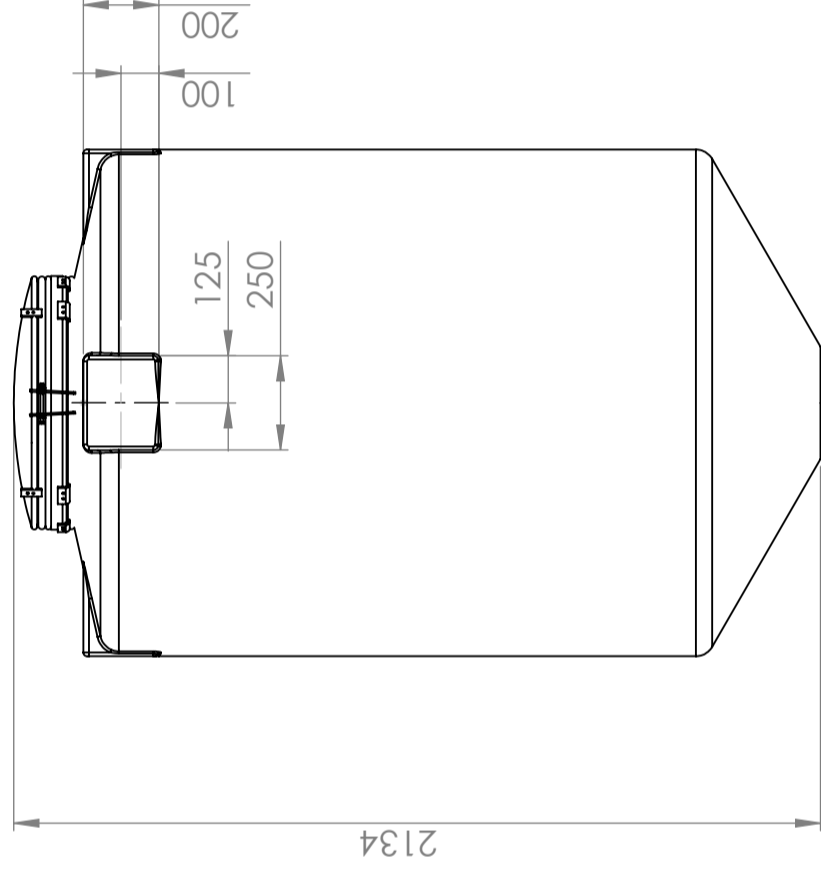
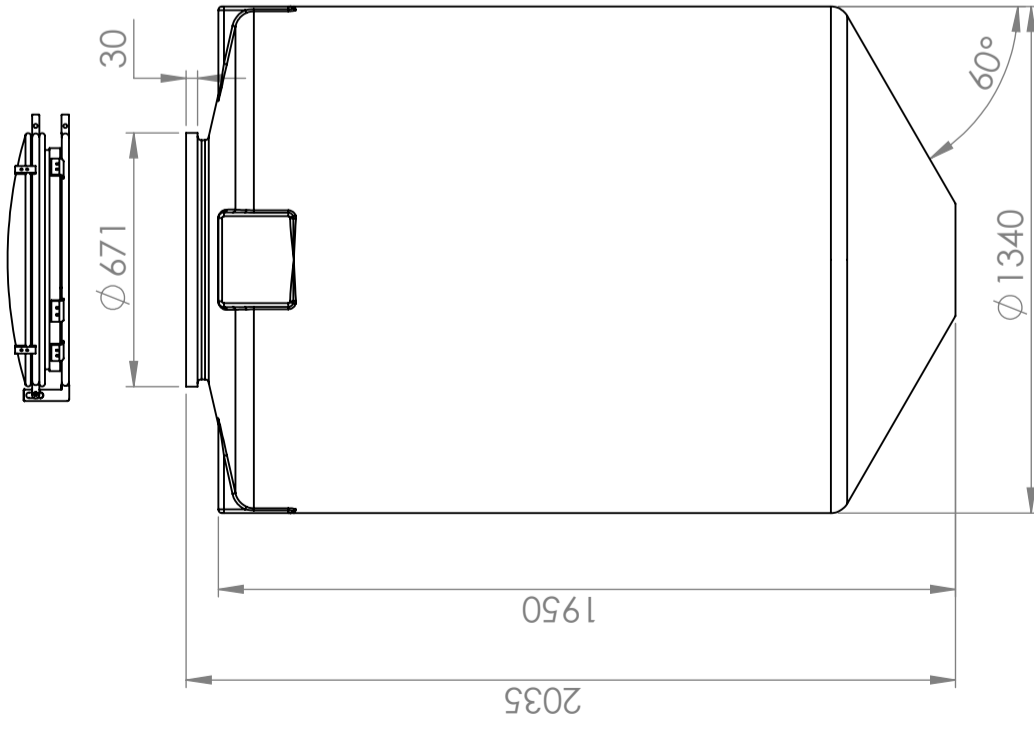
### Spetsifikatsioonid

Põhja kuju	Kooniline
Maht (L)	2000
Kõrgus (mm)	2134
Läbimõõt (mm)	1340
Kaal (kg)	65
Tiheduse sisaldus (max kg/l)	1,85

Taaskasutus



This drawing and design is the property of CIPAX. Copying and distribution of the drawing or any contents is prohibited without written permission from authorised personnel at CIPAX.



"Manhole requires 800 mm space to open fully. Compared to maximum height"

REVISIONS				
ZONE	REV.	DESCRIPTION	DATE	APPROVED
	A	Made a new drawing and updated views. M.P	29.04.2013	

Constructed by - date	M.P	29.04.2013	Evaluated by	Approved by - date	General Tolerances	Material	Finish, Ra	View	Scale
					NS-ISO 2768-1	LDPE	grit 120		1:20
Owner	Title/Description		2000 L centric		Drawing number		Revision		Sheet
	1226641		630 - 34		A		A3		1(1)

Generelle toleranser om ikke annet oppgitt på tegning	Tilatte avvik for måleområdet. Gjelder ved +20°C
General tolerances if not other stated on drawing	Permissible deviations for basic length size range. Valid +20°C
0-20	>75-150
±0.5mm	±1mm
	±1.5mm
	±1.3%
	±1%
	>300

