




## CPX Silindriline mahuti 5000 liitrit

Kõrgus koos statiiviga: 3200 mm. Kõrgus ilma statiivita: 2720 mm. Vedelikele tihedusega kuni 1,85 kg/m<sup>3</sup>. Komplekteeritakse statiiviga art. nr. 60385.

Art.nr: 18016

Spetsifikatsioonid	
Põhja kuju	Kooniline
Maht (L)	5000
Kõrgus (mm)	2395
Läbimõõt (mm)	1800
Kaal (kg)	170
Tiheduse sisaldus (max kg/l)	1,85
Taaskasutus	

ZONE	REV.	DESCRIPTION	DATE	APPROVED
A	A	Renamed part to 1408641. Made a new drawing and updated views. M.P	30.04.2013	

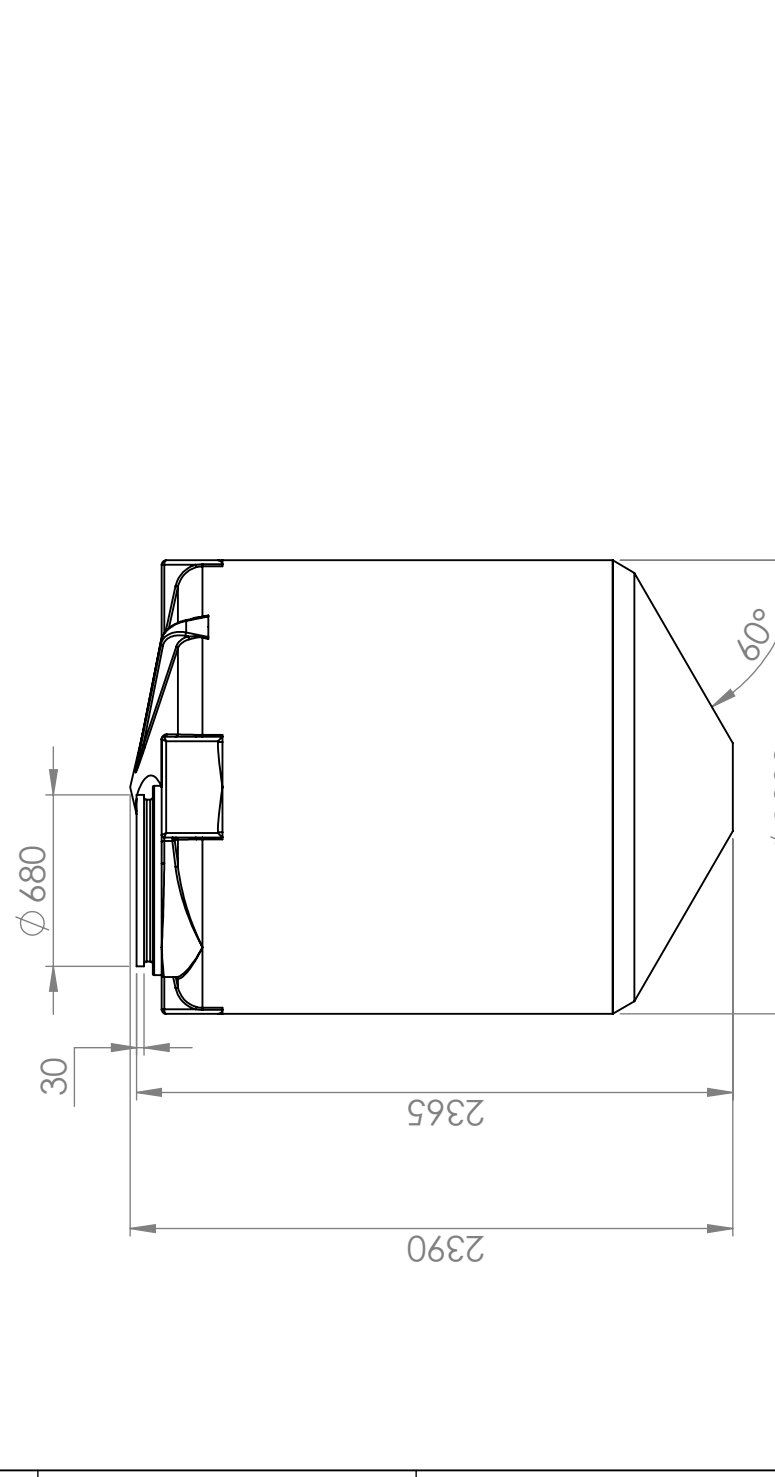
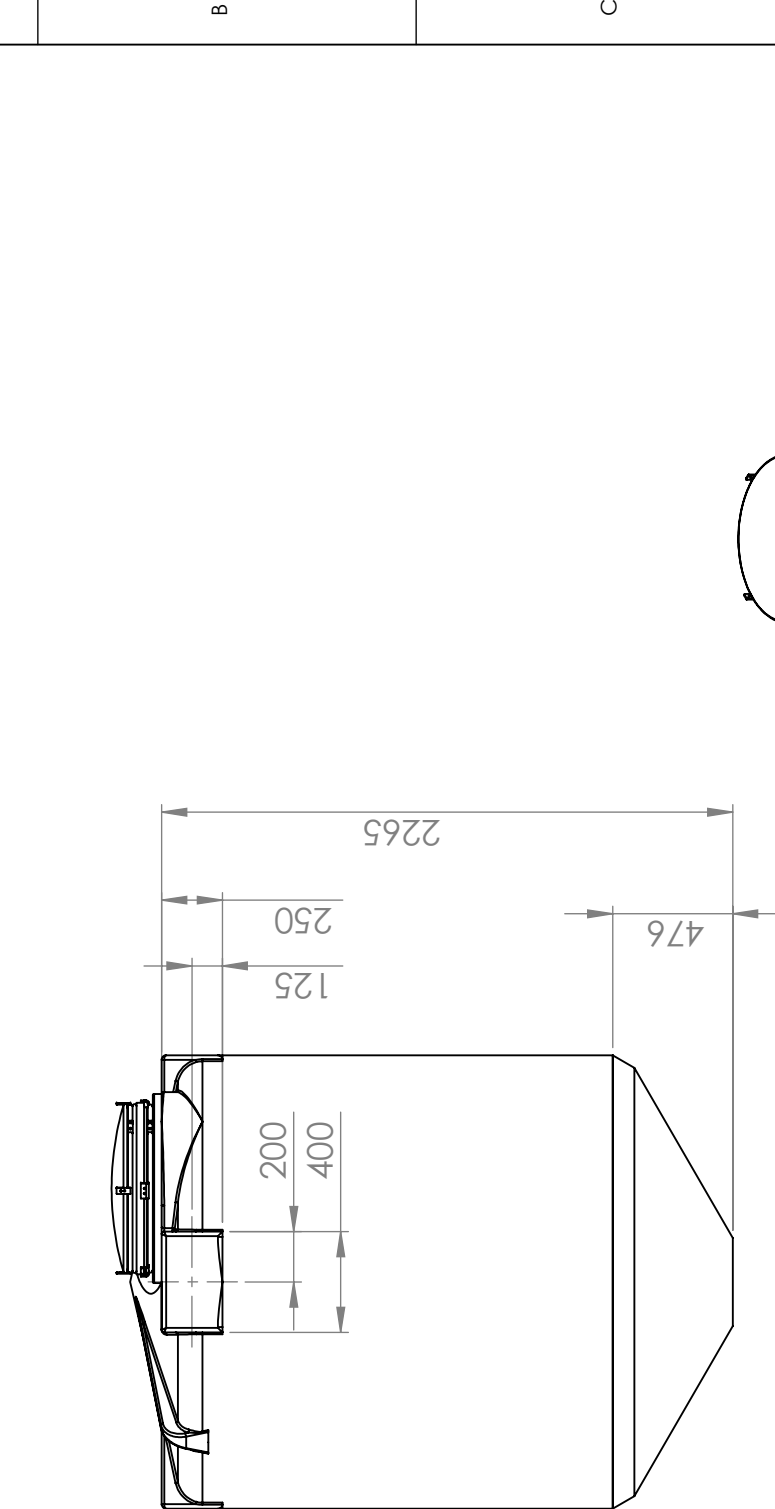
REVISIONS				
ZONE	REV.	DESCRIPTION	DATE	APPROVED
A	A	Renamed part to 1408641. Made a new drawing and updated views. M.P	30.04.2013	

Constructed by - date	Evaluated by	Approved by - date	General Tolerances	Material	Finish, Ra	View	Scale
M.P 30.04.2013			NS-ISO 2768-1	LDPE	grit 120		1:30

Owner	Title/Description	Drawing number	Revision	Sheet size	Sheet
	1408641	850 - 34	B	A3	1(1)

Generelle toleranser om ikke annet oppgitt på tegning	Permissible deviations for basic length size range. Valid +20°C
0-20 ±0.5mm	>20-75 ±1mm
>75-150 ±1.5mm	>150-300 ±1.3%
>300 ±1%	

Tilatte avvik for måleområdet. Gjelder ved +20°C



This drawing and design is the property of CIPAX. Copying and distribution of the drawing or any contents is prohibited without written permission from authorised personnel at CIPAX

"Manhole requires 800 mm space to open fully. Compared to maximum height"

