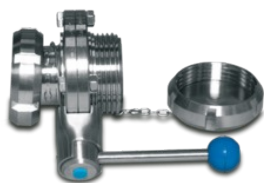
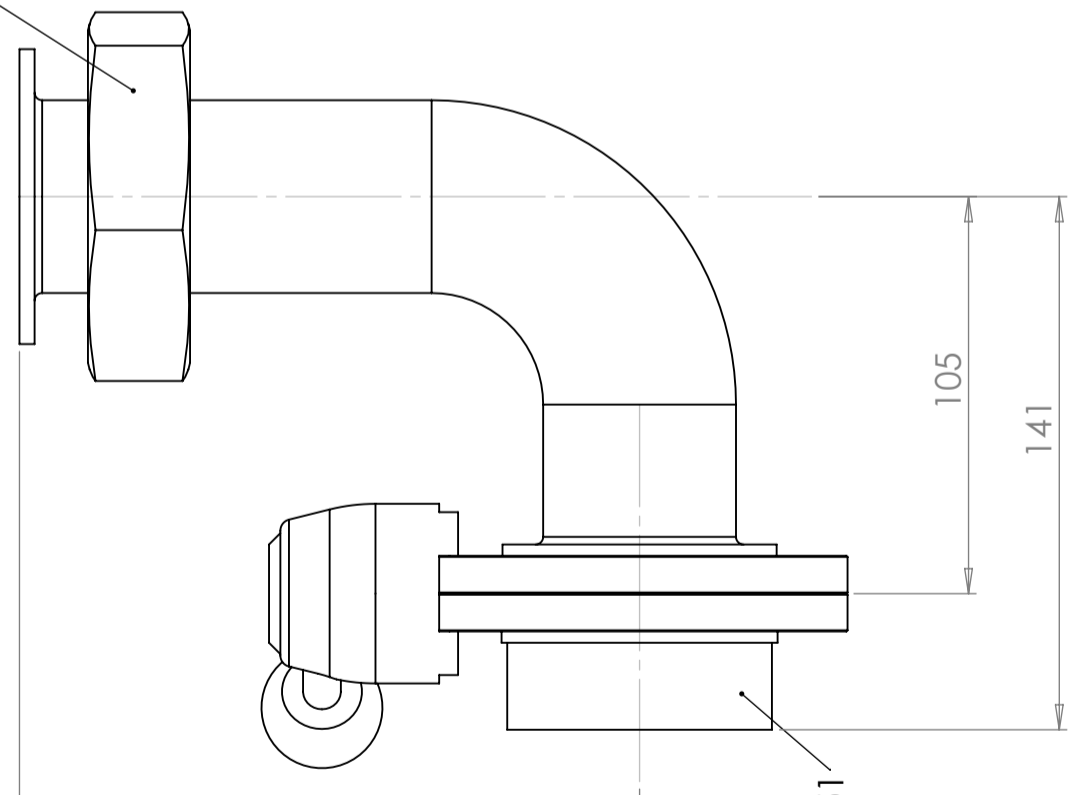
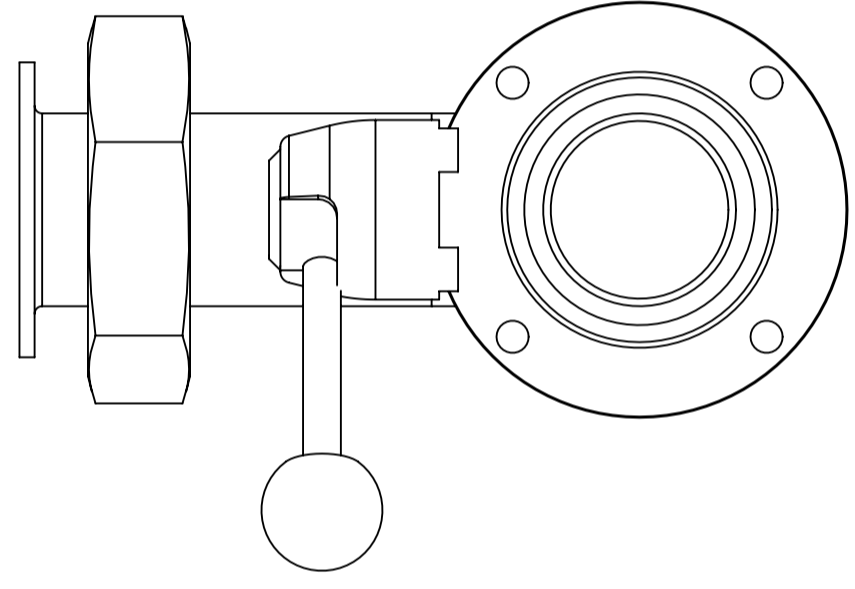
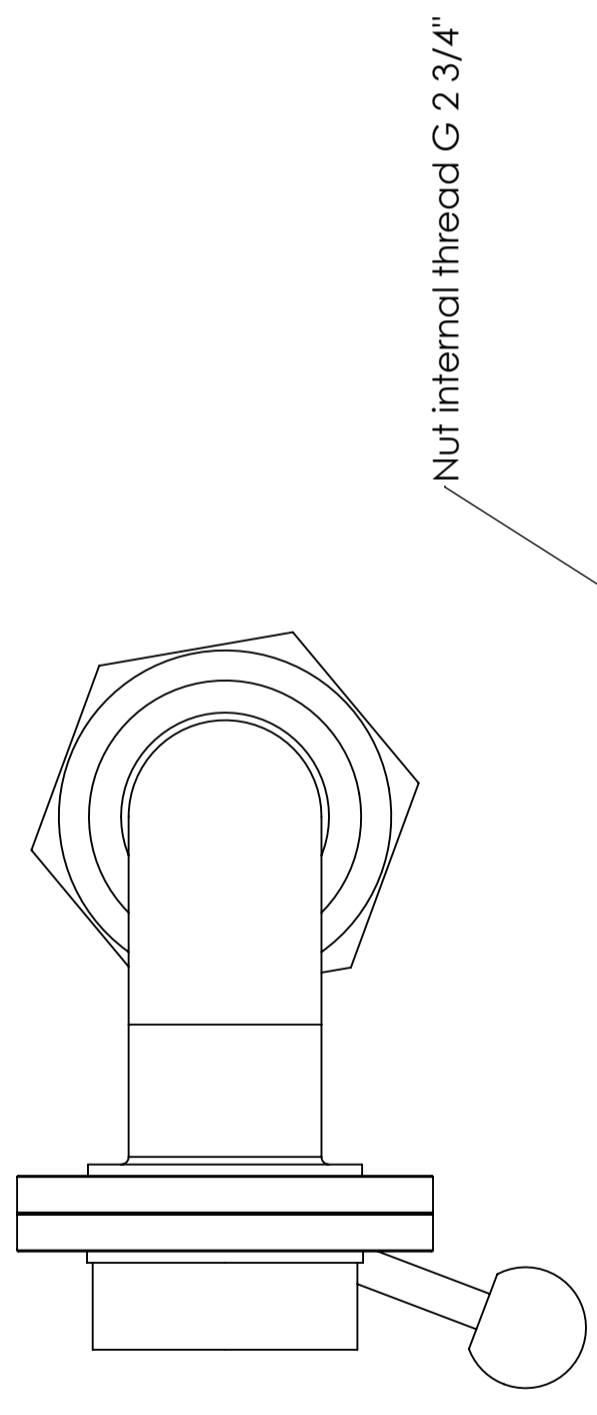
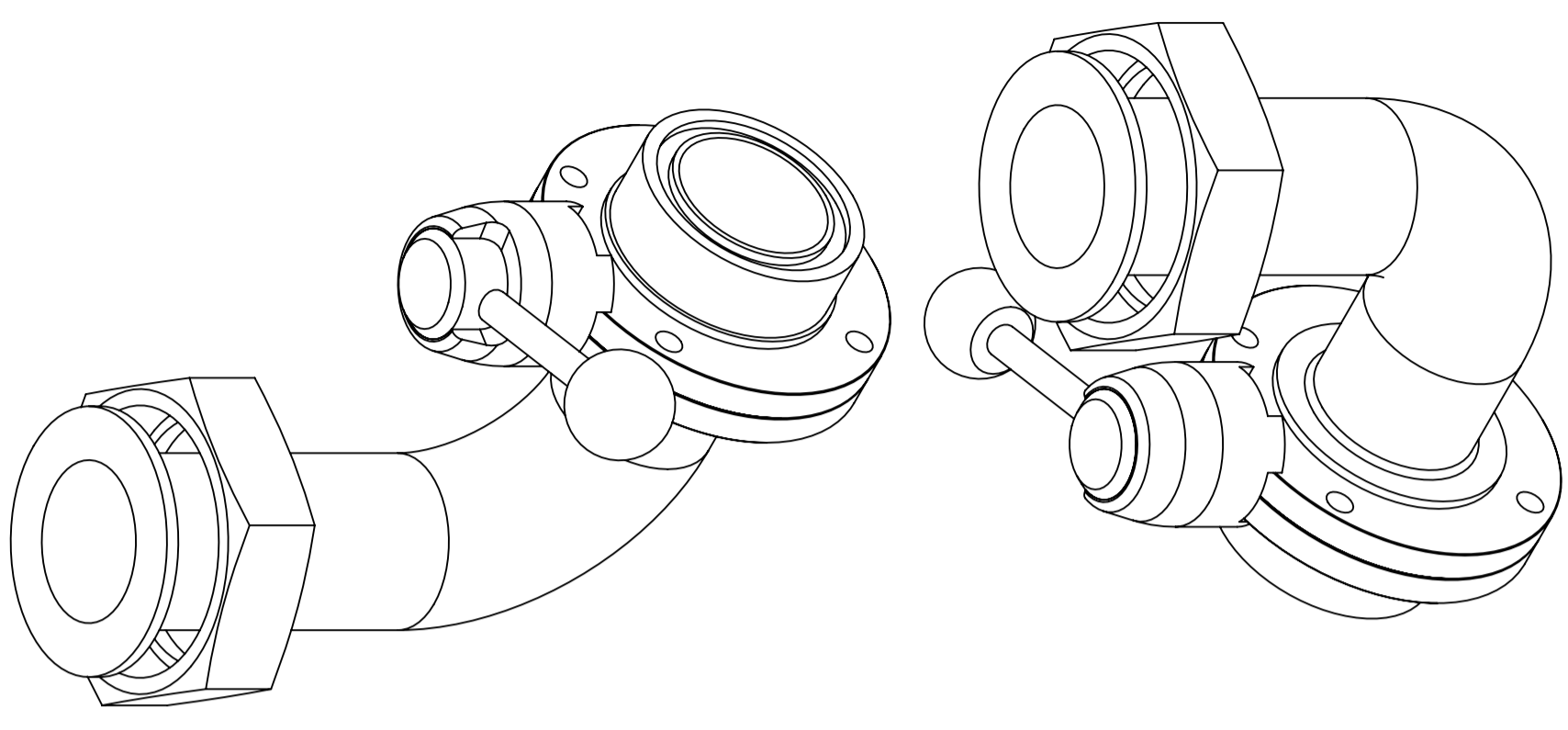


Accessories



Variants	
60357	2" Tank fitting stainless steel
60358	2" Dubbelnippel R2
60359	2" BSP hane
40753	Flange silotainer DN80 SMS51
60130	Tank valve 2" SMS 51 acidproof
60136	Acid proof thread sleven 3" inch SMS 76
60135	Tank valve 3" SMS 76 acidproof
60131	Acid resistant thread 2 inch SMS 51
63036	Valve package PE/PVC 1" Viton
63037	Valve package PE/PVC1 1/4" Viton
63038	Valve package PE/PVC1 1/2" Viton
63039	Valve package PE/PVC 2" Viton
63035	Accessories



Nut internal thread G 2 3/4"

External thread SMS 51

Material: Syrafast

This drawing and design is the property of CIPAX. Copying and distribution of the drawing or any contents is prohibited without written permission from authorised personal at CIPAX

Konstruerad av SE	Granskad av SE	Godkänd av - datum - 2013-06-25	Generell tolerans SS-ISO 2768-1	Generell Ytjämnhet, Ra	Vyplacering 	Skala 1:5
Titel/Benämning Tankventil SMS 51 63035						
Ägare CIPAX						Blad 1(1)
Ränningsnummer 63035						Utgåva