

Stands for silo



Approximate size

Variants	
69390	Stand silo 25L metal
69400	Stand silo 90L PE
69391	Stand silo 90L metal
69392	Stand silo 300-600L PE
69393	Stand silo 300-600L metal
69394	Stand silo 1400L metal
69397	Stand silo 1700L metal rect.
69395	Stand silo 1800L metal
69396	Stand silo 1900L metal
69398	Stand silo 1100/2000L metal cyl.
69401	Stand silo 2500 metal
69399	Stand silo 3500-5500L metal

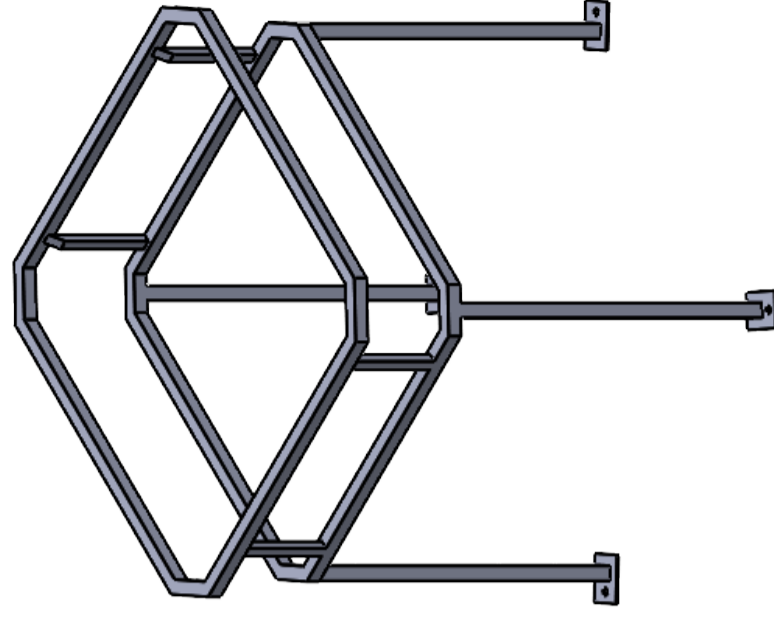
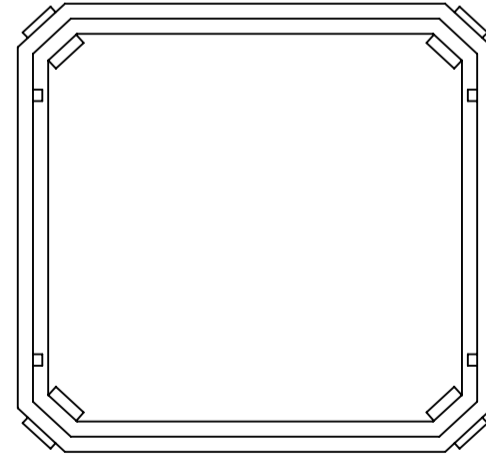
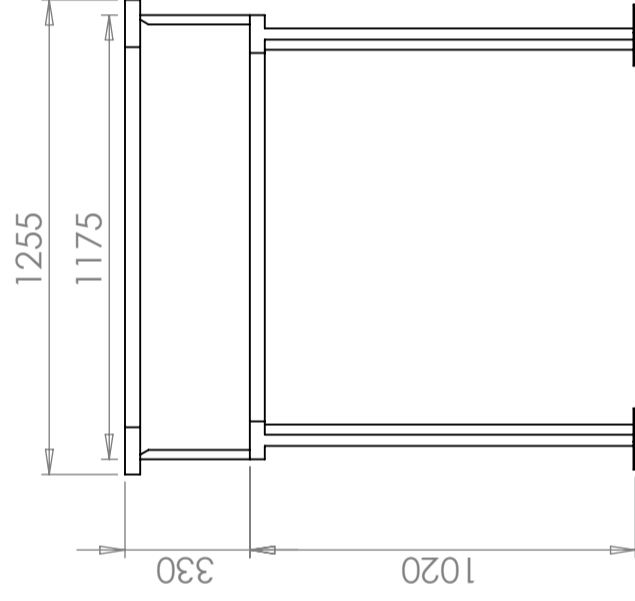
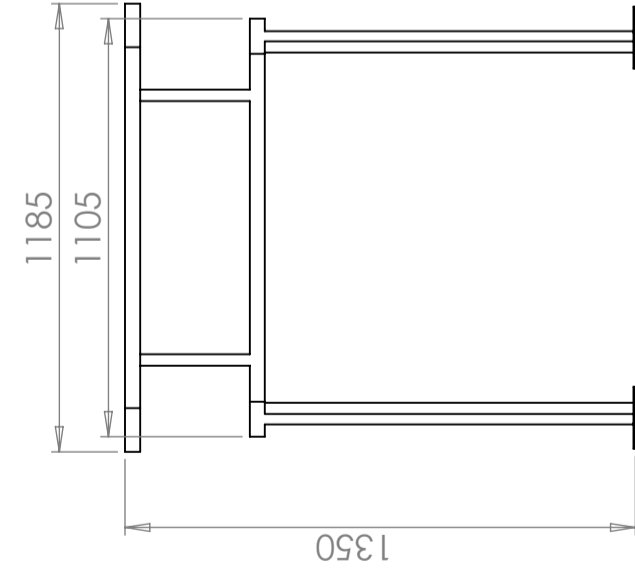
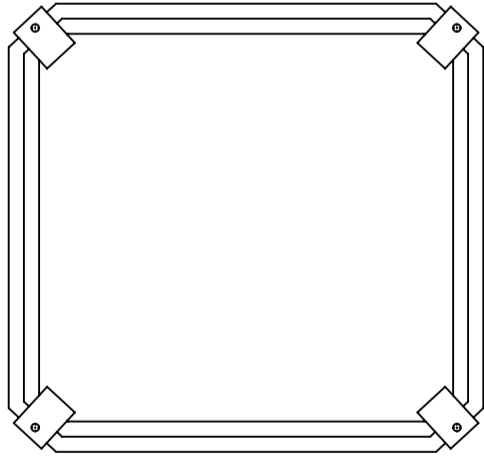
Characteristics



Logistics solutions



Easy to clean



Revision

REV.

Ändringsmeddelande

Datum

Godkänd

This drawing and design is the property of CIPAX. Copying and distribution of the drawing or any contents is prohibited without written permission from authorised personal at CIPAX

Konstruerad av

Granskad av

Godkänd av - datum

Generell tolerans
SS-ISO 2768-1

Generell
Ytjämnhet, Ra

Vyplacering

Skala

1:20

Titel/Benämning

Stativ silo 2000L metall cyl.

Ritningsnummer

69397



Ägare

Utgåva

A

Blad

1(1)