

Stands for silo



Approximate size

| Variants | |
|----------|----------------------------------|
| 69390 | Stand silo 25L metal |
| 69400 | Stand silo 90L PE |
| 69391 | Stand silo 90L metal |
| 69392 | Stand silo 300-600L PE |
| 69393 | Stand silo 300-600L metal |
| 69394 | Stand silo 1400L metal |
| 69395 | Stand silo 1800L metal |
| 69396 | Stand silo 1900L metal |
| 69398 | Stand silo 1100/2000L metal cyl. |
| 69397 | Stand silo 2000L metal rect. |
| 69401 | Stand silo 2500 metal |
| 69399 | Stand silo 3500-5500L metal |

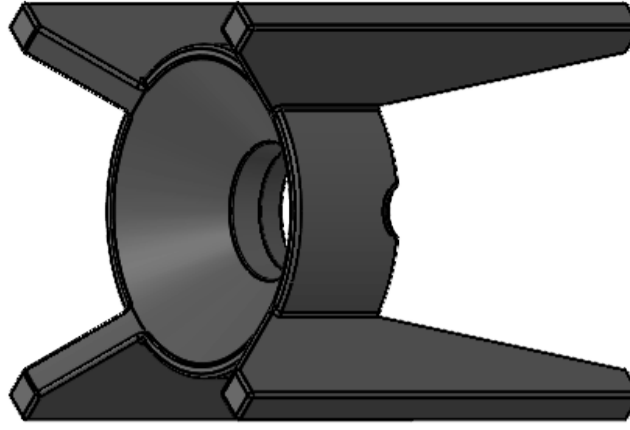
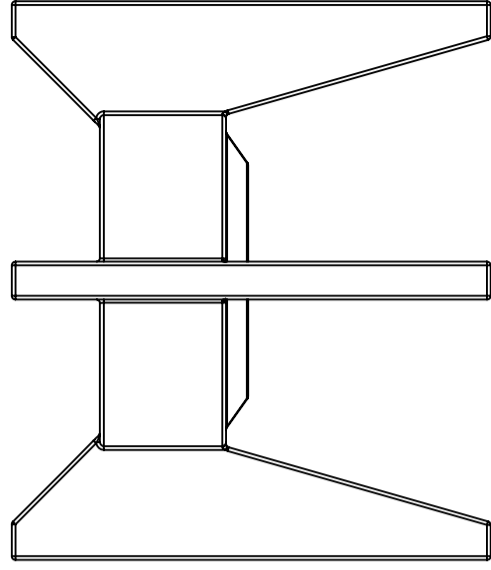
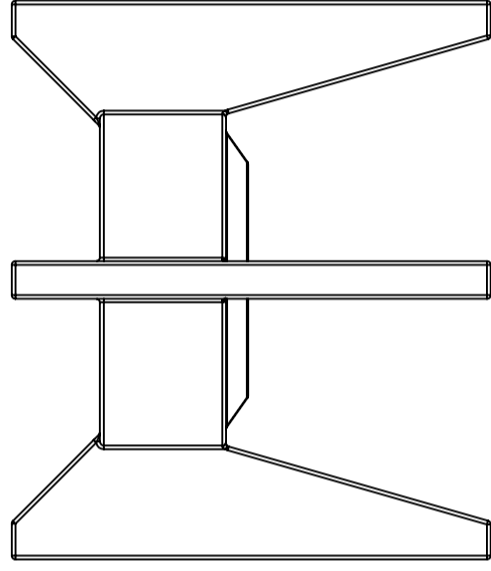
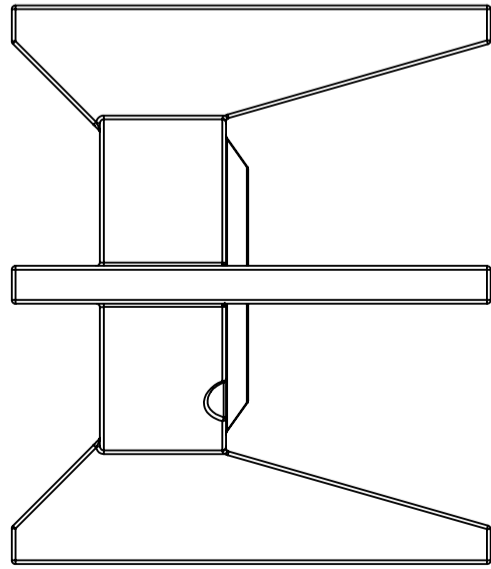
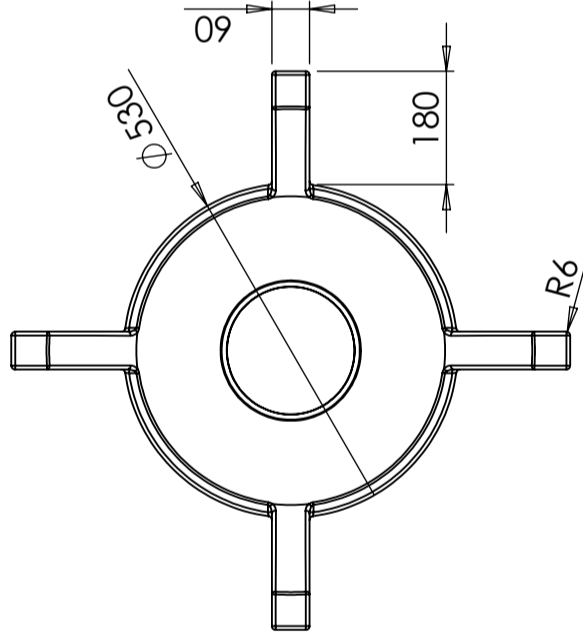
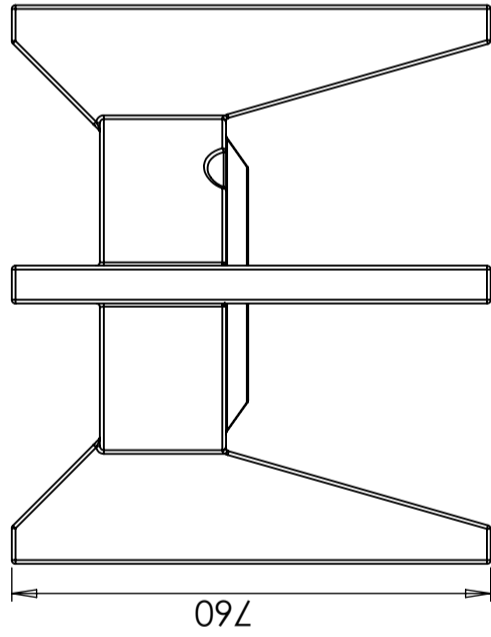
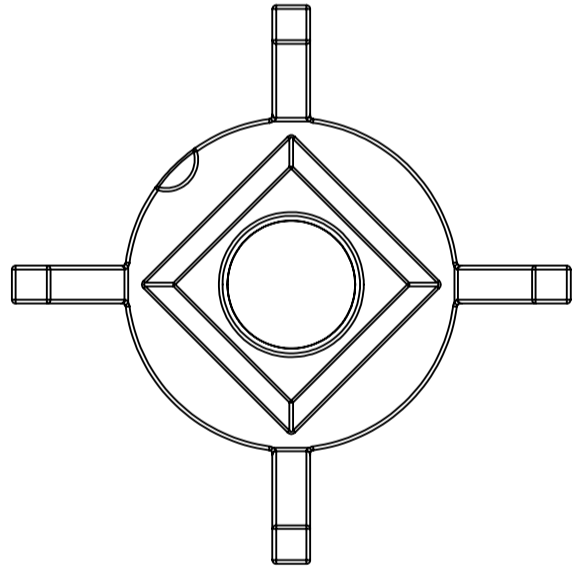
Characteristics



Logistics solutions



Easy to clean



Revision

Approved

Date

Reason of change

Revision

| | | | | | | |
|-------------|--------------|--------------------|------------------------------------|-------------------------------|---------------|-------|
| Designed by | Inspected by | Approved by - Date | General tolerance SS-ISO 2768-1 | General surface finish, Ra | View position | Scale |
| | | - | | | | 1:12 |
| Owner | | | Title/Name | | | |
| | | | Stativ silo 300-600L PE | | | |
| | | | Drawing Number | | | |
| | | | 69392 | | | |
| | | | Edition | | | |
| | | | 1(1) | | | |