



CPX Container 1000L rectangular

Rectangular space-saving container with a volume of 1000L which facilitates placement and has many surfaces for connections and accessories.

The container has a lid with a double gasket, which makes the lid completely tight with an internal opening of 380mm, which gives the possibility of retrofitting a strainer. Ribs in the tank not only provide stability, but also prevent tension straps from slipping if this is used for anchoring to the ground. The container can be fitted with welded connections as desired where there are plenty of flat surfaces on all sides. The top of the container can be loaded for e.g. installation of dosing pump.

380mm O-ring sealed screw cap


Art.nr: 21000



Requires single door



Approximate size

Specifications	
Material	PE
Shape	Rectangular
Bottom shape	Straight
Design	Closed
Lid type	380 mm O-ring sealed screw lid
Color	Natural
Volume (L)	1000
Length (mm)	1500
Width (mm)	750
Height (mm)	1220
Surface area (m2)	1.25
Weight (kg)	75
Tollstatistical code	3925100000
Recycling	 HDPE

Characteristics



Customizable containers



Recyclable



Wide temperature range



Chemical resistance



Leak test



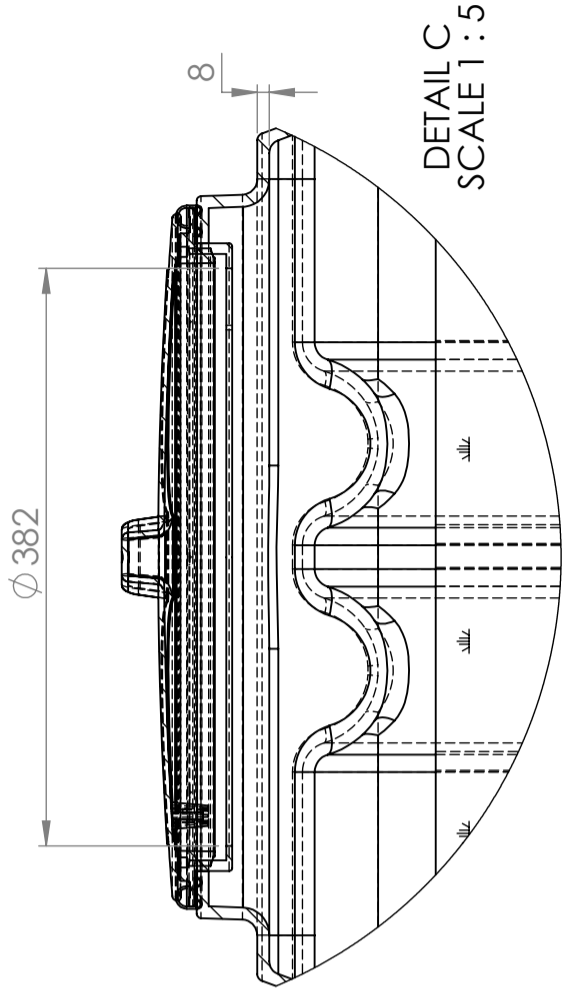
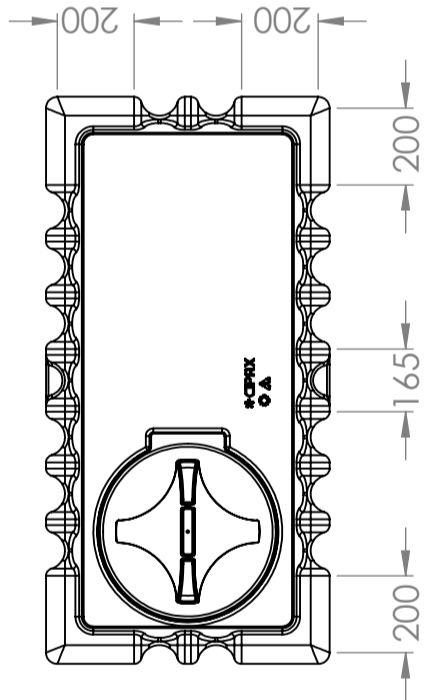
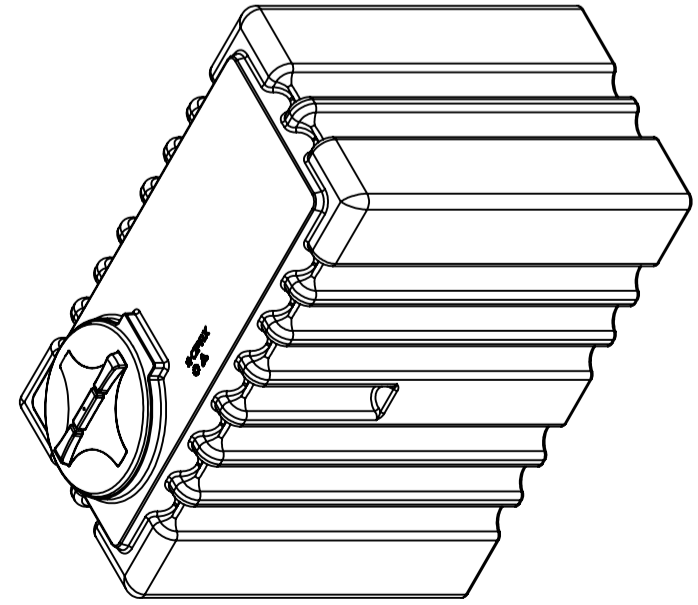
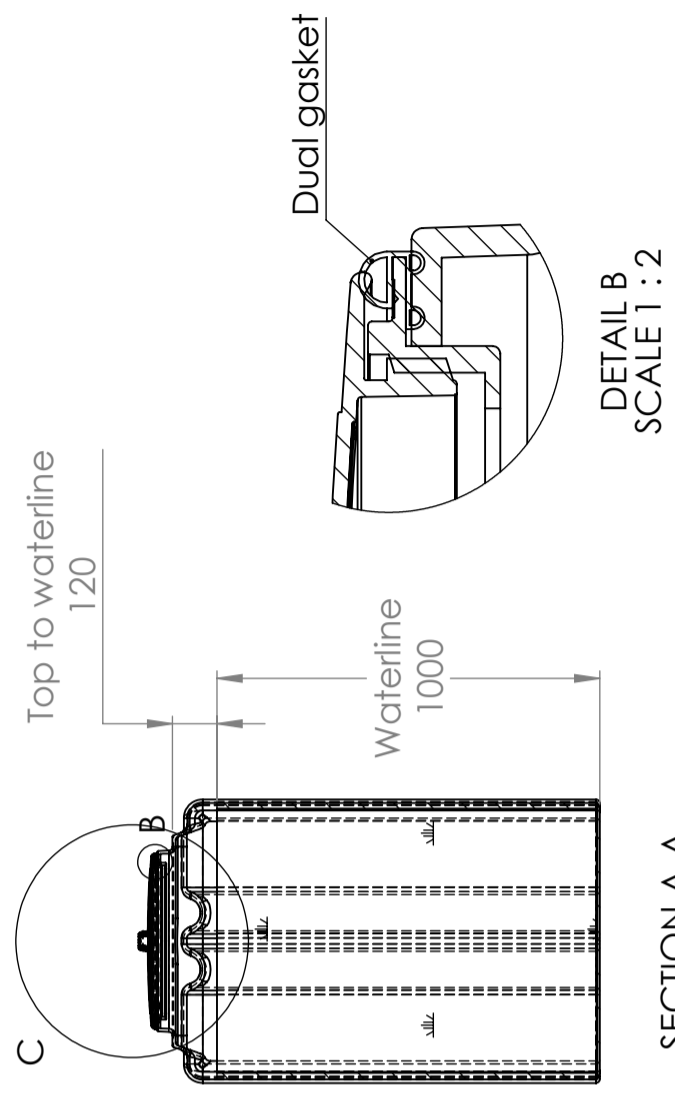
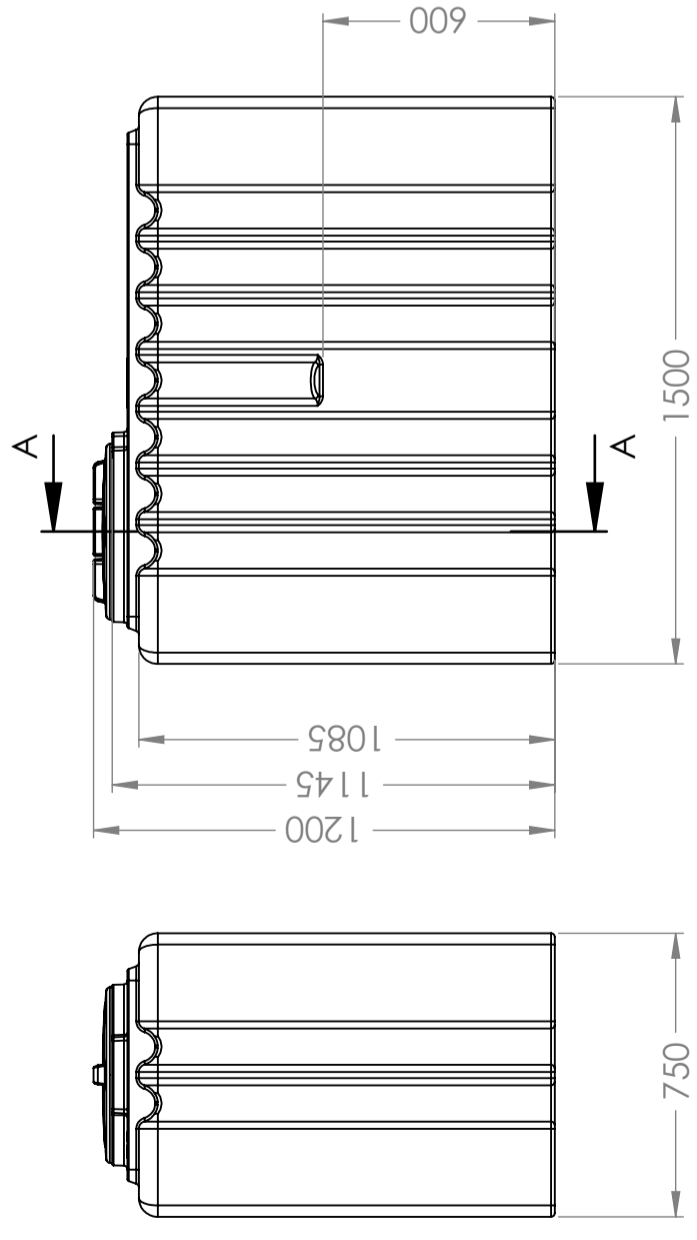
Logistics solutions



Suitable for food contact



Easy to clean



ZONE	REV.	DESCRIPTION	DATE	APPROVED
	3	Product measurements adjusted	29.09.2023	GEP

REVISIONS

Generelle toleranser om ikke anner oppgitt på tegning	Tilatte avvik for måleområde. Gjelder ved +20°C
General tolerances if not other stated on drawing	Permissible deviations for basic length size range. Valid +20°C
	0-20 >20-75 >75-150 >150-300 >300
	±0.5mm ±1mm ±1.5mm ±1.3% ±1%

Constructed by - date	Evaluated by	Approved by - date	General Tolerances	Finish, Ra	View	Scale
GEP 20.04.2023			NS-ISO 2768-1	PEHD		1:20
Owner	Title/Description		Revision			
	21000 - CPX container 1000L rectangular		3			
	Drawing number		Sheet size			
	1403 - 314		A3			
			1			

