


CPX Container 11000L rectangular

The tank has a 600 mm O-ring sealed inspection hatch attached to the tank with a painted tubular stand. The container can be supplied with connections as required. The container is supplied with 4 or 10 baffles. Get in touch and we'll tell you more.

Art.nr: 21101



Approximate size

Specifications	
Material	PE
Shape	Rectangular
Bottom shape	Straight
Design	Closed
Lid type	
Color	Natural
Volume (L)	11000
Length (mm)	4750
Width (mm)	2120
Height (mm)	1475
Surface area (m2)	10.1
Weight (kg)	630
Tollstatistical code	3925100000
GTIN	7090046760429
Recycling	 HDPE

Characteristics



Customizable containers



Recyclable



Wide temperature range



Chemical resistance



Leak test



Logistics solutions

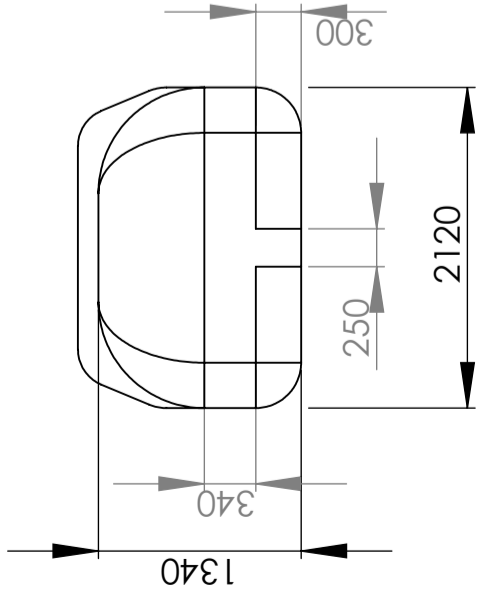


Suitable for food contact

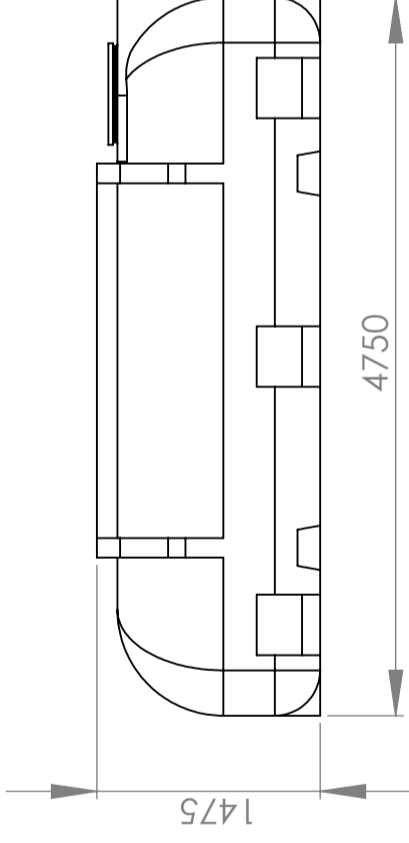


Easy to clean

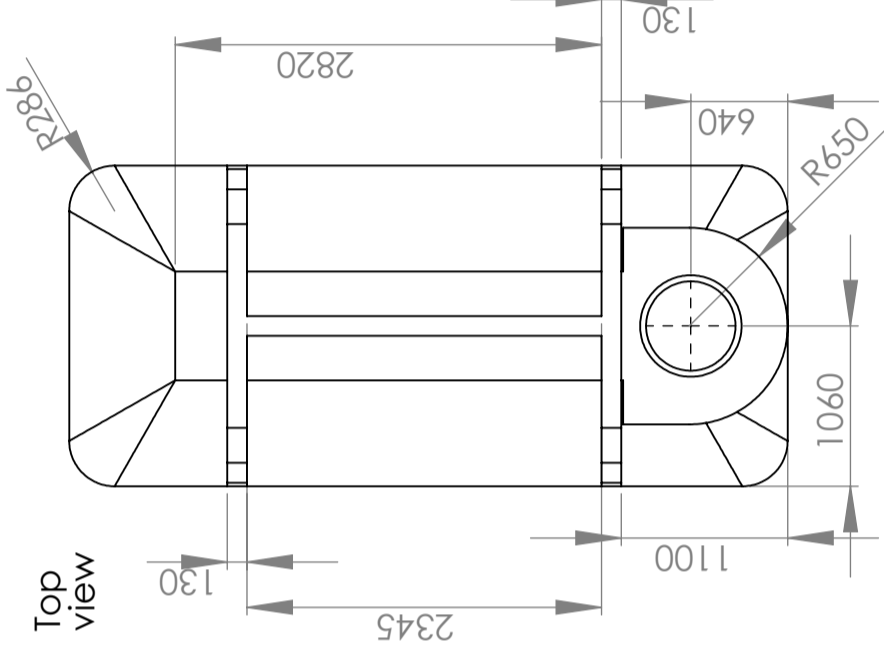
Back view



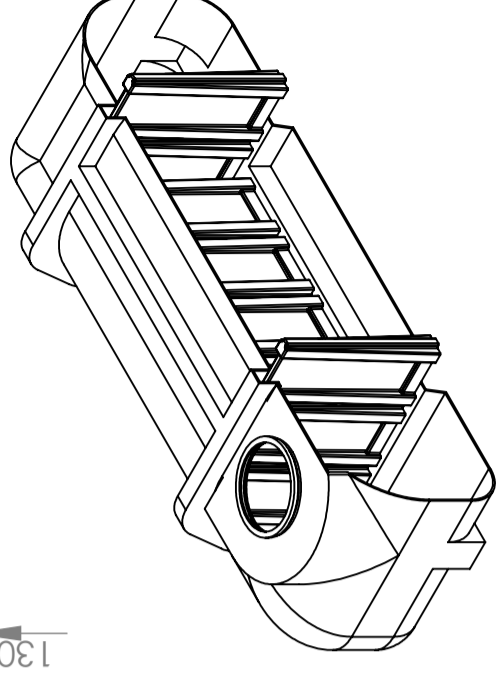
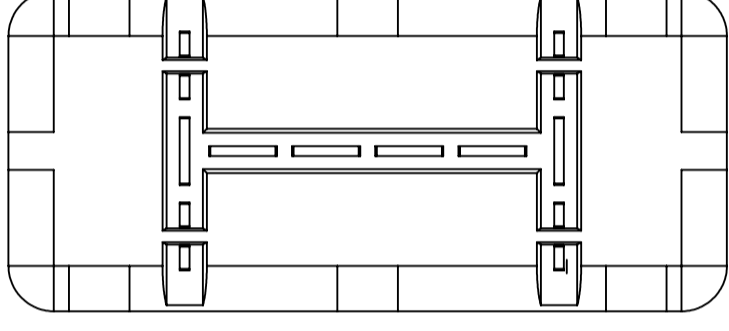
Left view



Top view



Bottom view



A

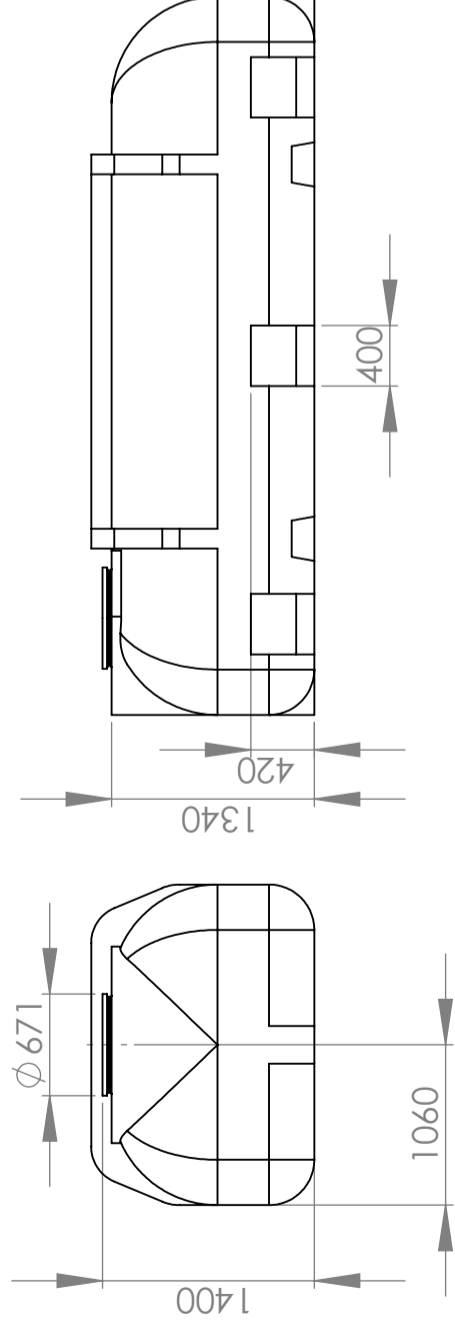
B

C

D

E

Front view



Right view

Opphavsrett / Copyright
© Copyright Cipax AS



1423521
Container, closed
11000 litres

DEBUR AND BREAK SHARP EDGES

UNLESS OTHERWISE SPECIFIED:
DIMENSIONS ARE IN MILLIMETERS
SURFACE FINISH:
TOLERANCES:
LINEAR:
ANGULAR:

FINISH:	NAME	DATE	SIGNATURE
	Rigmor Andreassen	12.06.2009	
	Trond Magne Aamodt		
	APPVD		
	MFG		
	Q.A		

TITLE:

DWG NO.

552-34

MATERIAL: PE, LLD

Simplified drawing.
Not for production.

WEGHT:

REVISION

DO NOT SCALE DRAWING

SCALE: 1:50

A3

SHEET 1 OF 1

SCALE: 1:50