



CPX Container 1500L cylindrical

Substantial 150 mm O-ring sealed screw lid as standard. The well-protected lid located on top of the tank can be fitted with a lock (accessory). The container can be supplied with connections as required. Flat surfaces for mounting connections on the side and the top of the tank. The top of the container is load-bearing for e.g. a dosing pump.


Art.nr: 14150



Requires double door



Approximate size

Specifications	
Material	PE
Shape	Cylindrical
Bottom shape	Straight
Design	Closed
Lid type	150 mm O-ring sealed screw lid
Color	Natural
Volume (L)	1500
Height (mm)	1980
Diameter (mm)	1050
Surface area (m ²)	1.08
Weight (kg)	60
Tollstatistical code	3925100000
GTIN	7090046760146
Recycling	 HDPE

Characteristics



Customizable containers



Recyclable



Wide temperature range



Chemical resistance



Leak test



Logistics solutions

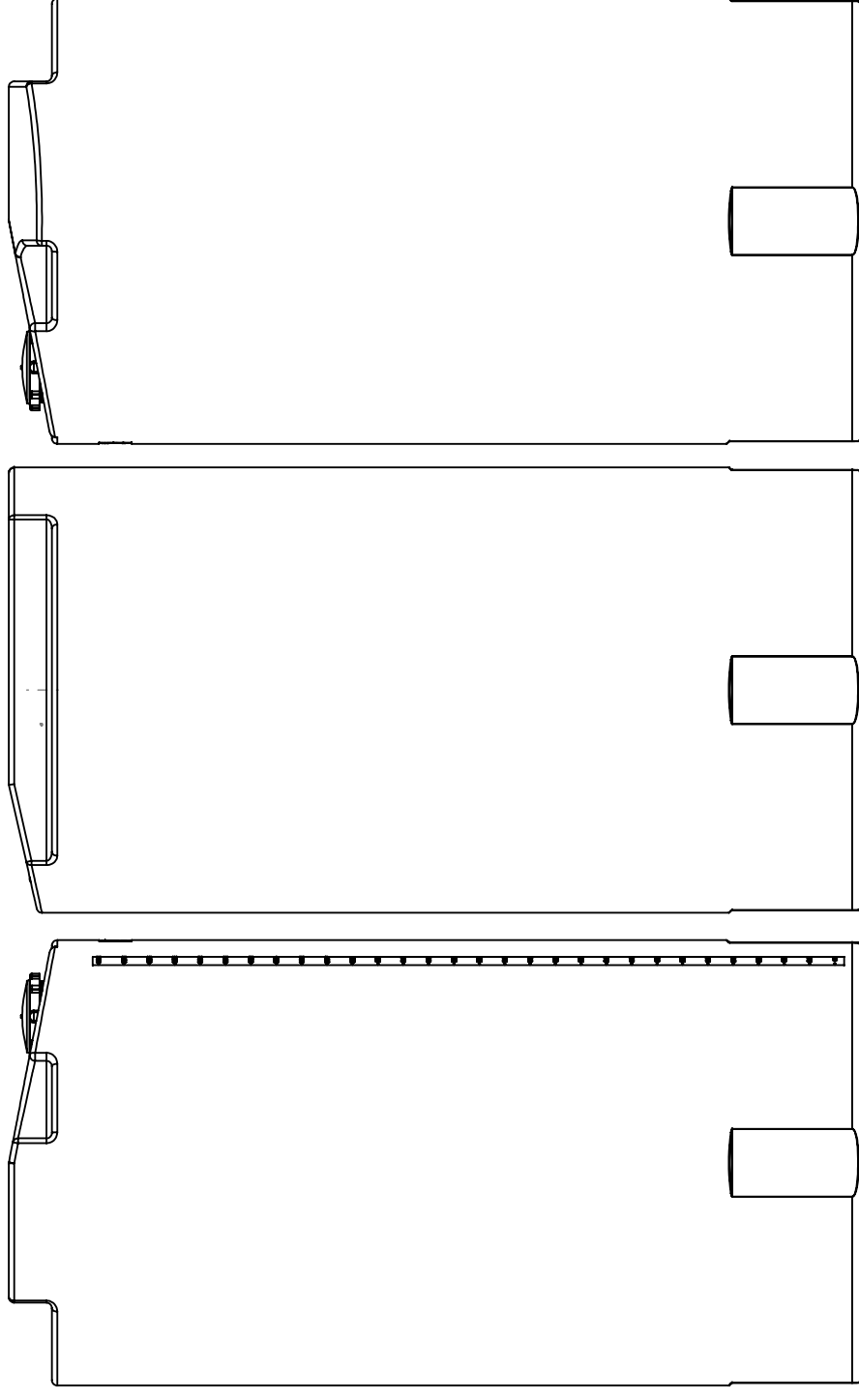
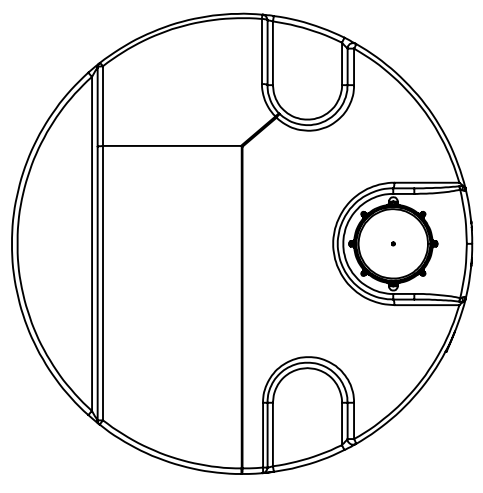
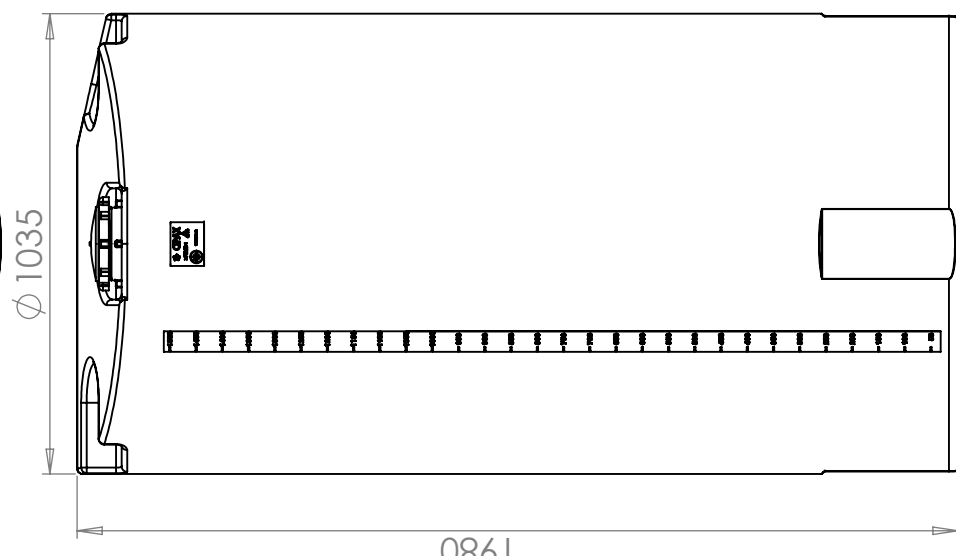
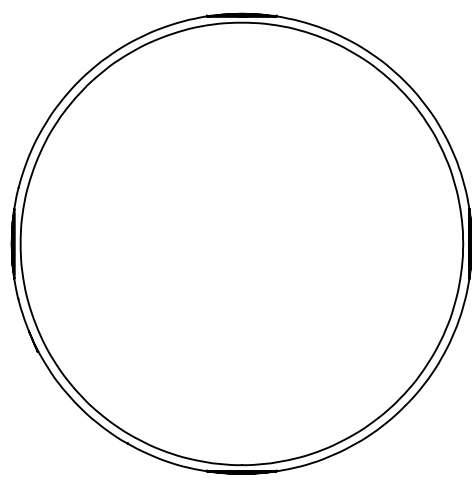


Suitable for food contact



Easy to clean

Revision		
REV.	Ändringsmeddelande	Datum
		Godkänd



Generella toleranser om ej annat anges på ritning	Tillåtna avvikelser för längdbasmåttområde. Gäller + 20°C			
General tolerances if not other stated on drawing	Permissible deviations for basic length size range. Be valid + 20°C			
	0-20	>20-75	>75-150	>150-300
	± 0,5 mm	± 1 mm	± 1,5 mm	± 1,3 %
				± 1 %

Konstruerad av	Granskad av	Godkänd av - datum	Generell tolerans SS-ISO 2768-1	Generell Ytjämnhet, Ra	Vyplacering	Skala
		-				1:17
Titel/Benämning						
Ritningsnummer						
14150 - 1500ltr dosering NO						
Utgåva						
A						
Blad						
1(1)						

