

CPX Container 1600L rectangular

3 x reinforcement frames made of acid proof SS 2343

Art.nr: 21602



Requires single
door



Approximate size

Specifications

Material	PE
Shape	Rectangular
Bottom shape	Straight
Design	Closed
Lid type	
Color	Natural
Volume (L)	1600
Length (mm)	1602
Width (mm)	760
Height (mm)	1685
Surface area (m2)	1.7
Weight (kg)	80
Tollstatistical code	3925100000

Recycling



Characteristics



Customizable
containers



Recyclable



Wide
temperature
range



Chemical
resistance



Leak test



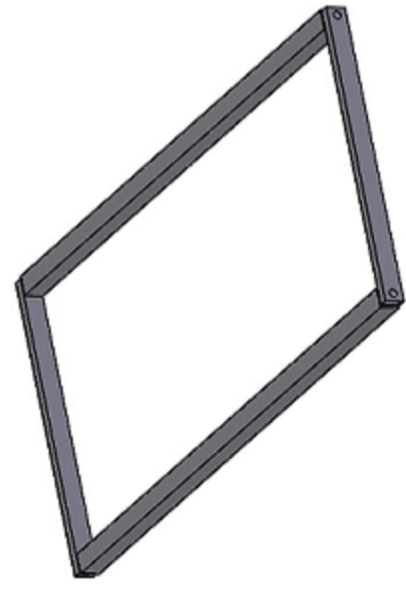
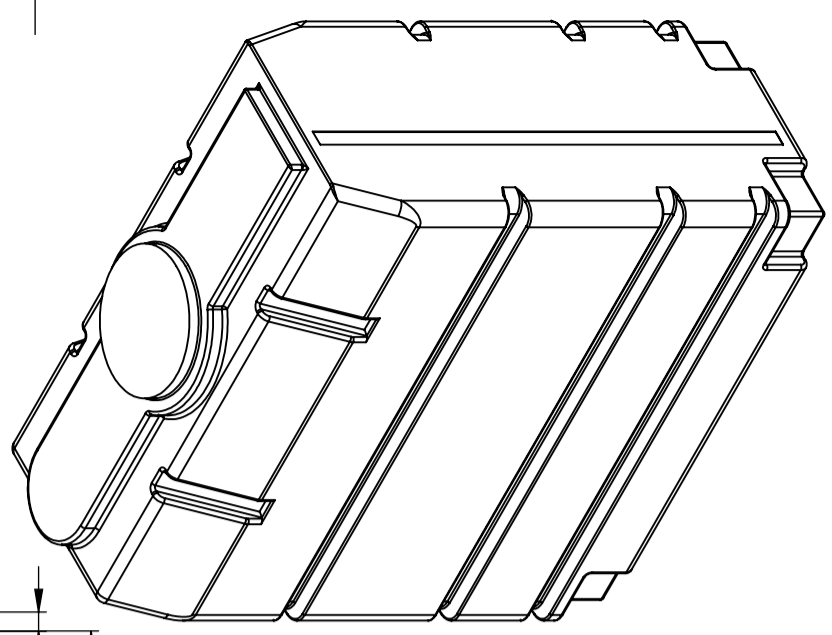
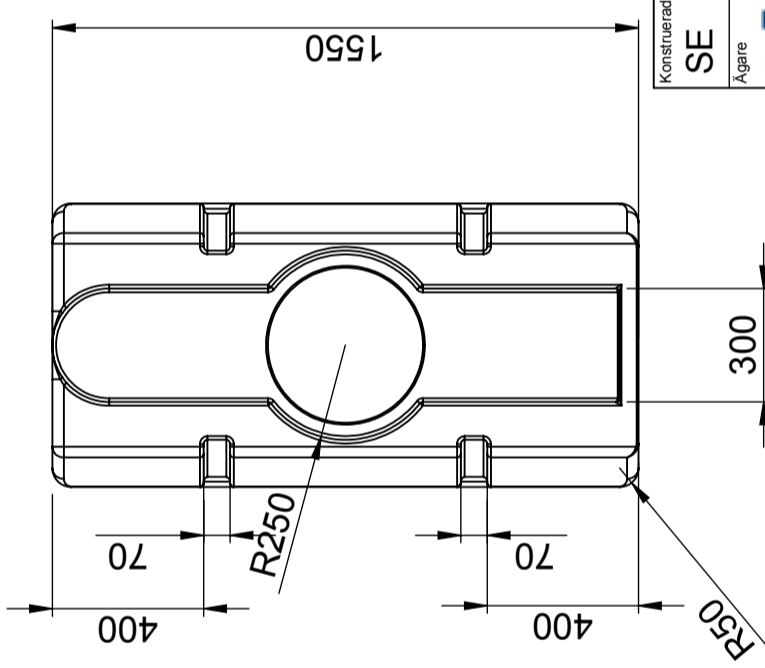
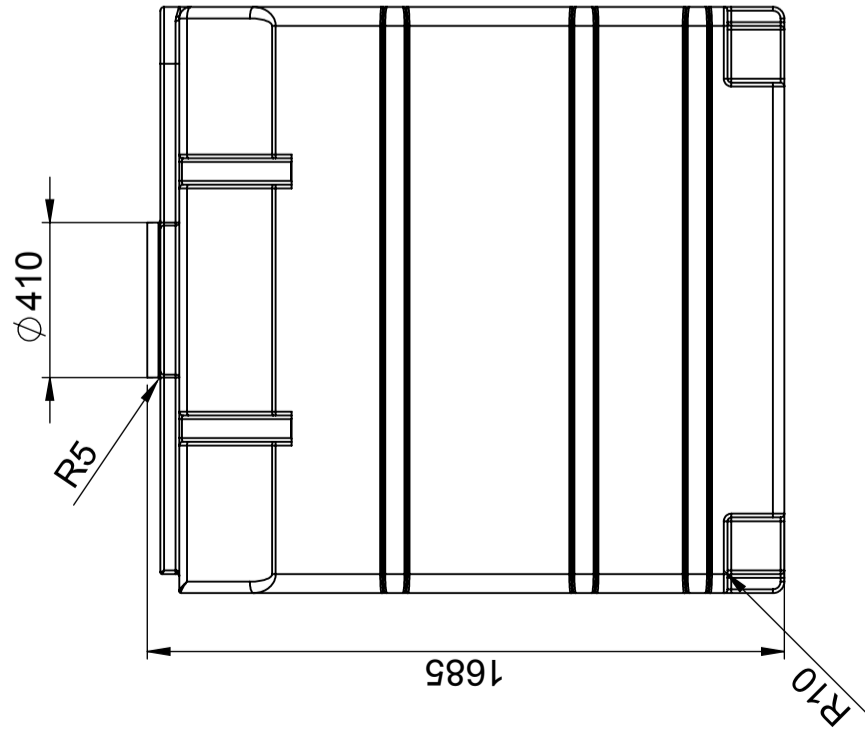
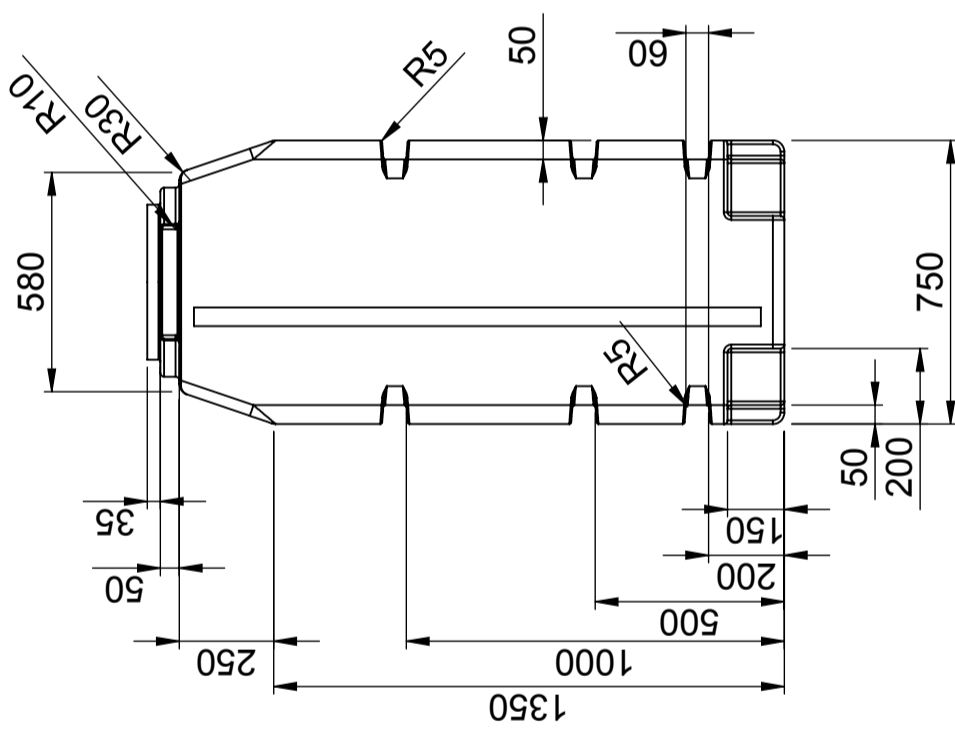
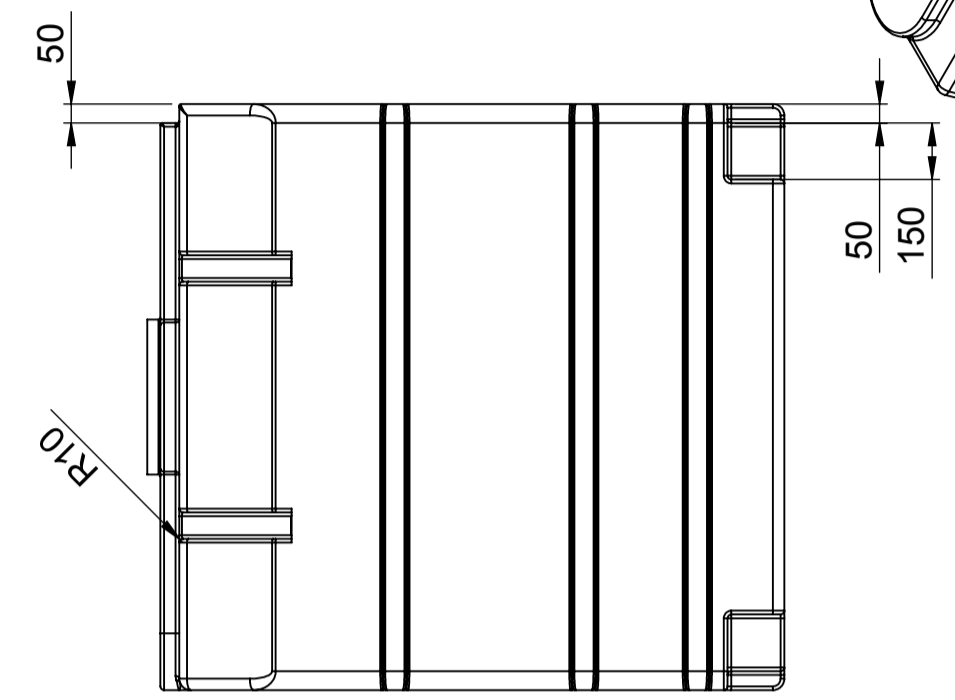
Logistics
solutions



Suitable for
food contact



Easy to clean



Stativ (3x) L = 1602 B = 760
Frame (3x) L = 1602 B = 760

This drawing and design is the property of CIPAX. Copying and distribution of the drawing or any contents is prohibited without written permission from authorised personal at CIPAX

Konstruerad av	SE	Granskad av	SE	Godkänd av - datum	SE - 2005-08-11	Generell tolerans	SS-ISO 2768-1	Generell Ytjämnhet, Ra	Vyplacering	Skala	1:20
Ägare											
Titel/Benämning											
Rekt. Behållare 1600 liter 21602											
Ritningsnummer											
S3-2757											
Blad											
1(1)											

Generella toleranser omej annat agas på ritning	Tillåtna avvikelser för längdmåttområde	
General tolerances if not other stated on drawing	Permissible deviations for basic length-size range	
0-20	>20-75	>75-150
± 0,5 mm	± 1 mm	± 1,5 mm
>150-300	>300	
± 1,3 %	± 1 %	