



CPX Container 1600L rectangular

The container has a 400 mm O-ring sealed inspection hatch. Supplied either with hot dip galvanised or acid-proof (SS2343) frames. There are grooves for straps on the top and sides of the tank to make tying down easier. The container can be supplied with connections as required. The top of the container is load-bearing for e.g. a dosing pump. Flat surfaces for mounting connections on the short sides of the tank, of which four are protected/recessed into the tank.

Art.nr: 216043



Requires single door



Approximate size

Specifications

Material	PE
Shape	Rectangular
Bottom shape	Straight
Design	Closed
Lid type	
Color	Natural
Volume (L)	1600
Length (mm)	1602
Width (mm)	760
Height (mm)	1685
Surface area (m2)	1.7
Weight (kg)	80
Tollstatistical code	3925100000
GTIN	7090046761020

Recycling



Characteristics



Customizable containers



Recyclable



Wide temperature range



Chemical resistance



Leak test



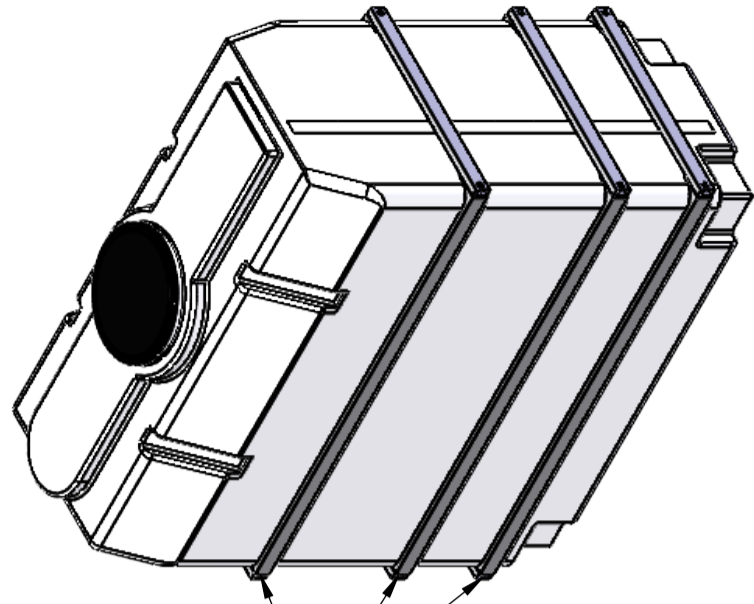
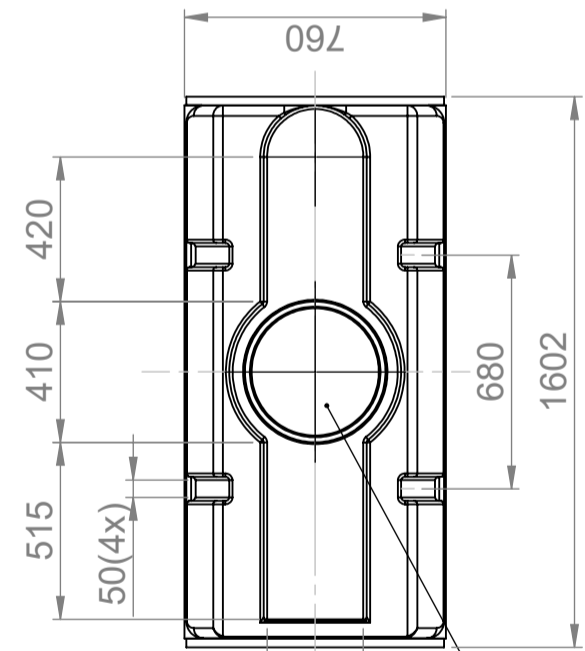
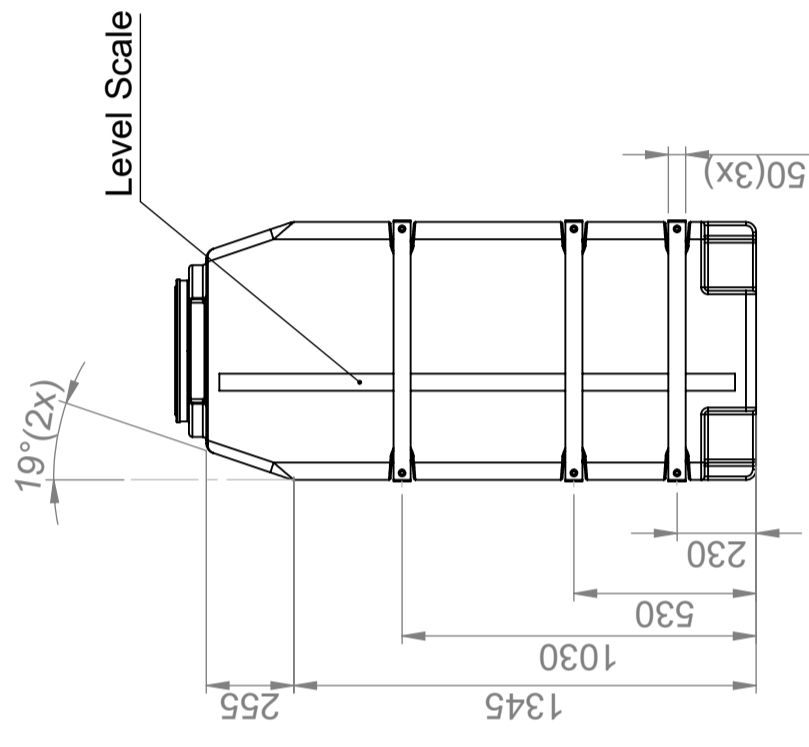
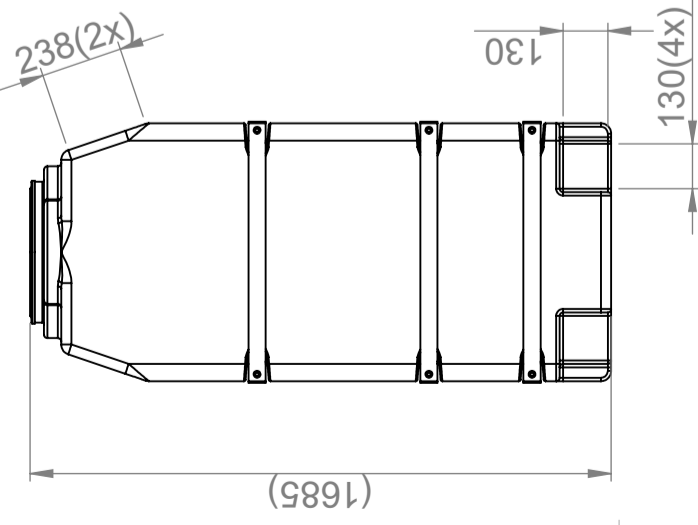
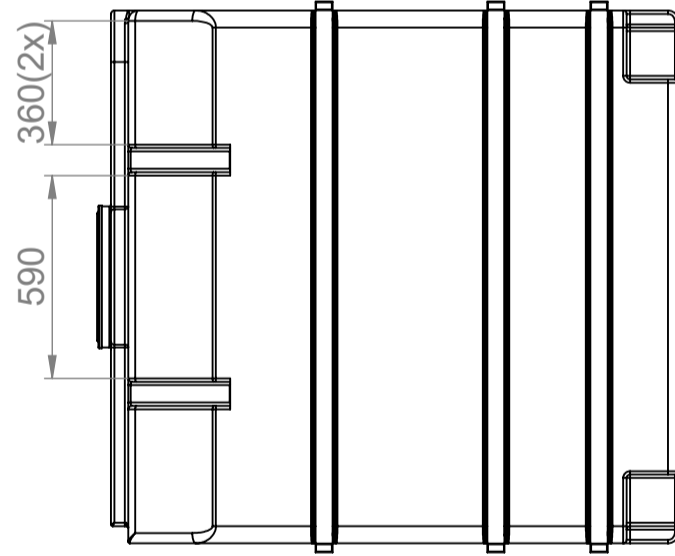
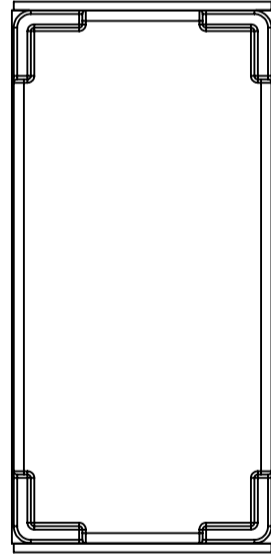
Logistics solutions



Suitable for food contact



Easy to clean



Support Frames made of hot-dipped galvanized steel

This drawing and design is the property of Cipax. Copying and distribution of the drawing or any contents is prohibited without written permission from authorized personal at Cipax

Generella toleranser omej annat agas på ritning	Tillåtna avvikelser för längdmåttområde	
General tolerances if not other stated on drawing	Permissible deviations for basic length size range	
0-20	>20-75	>75-150
± 0,5 mm	± 1 mm	± 1,5 mm
		± 1,3 %
		± 1 %

Konstruerad av	Granskad av	Godkänd av - datum	Generell tolerans SS-ISO 2768-1	Generell Ylämhet, Ra	Vyplacering	Skala
MB	FB	2023-08-11				1:22

Ägare **CIPAX** Titel/Benämning **Rekt. Behållare 1600L**
 Ritningsnummer **216043** Utgåva **1(1)**