

CPX Container 270L rectangular

The container has a substantial 150 mm O-ring sealed screw lid as standard. The container can be supplied with connections as required.


Art.nr: 20301



Requires single door



Approximate size

Specifications	
Material	PE
Shape	Rectangular
Bottom shape	Straight
Design	Closed
Lid type	150 mm O-ring sealed screw lid
Color	Natural
Volume (L)	270
Length (mm)	800
Width (mm)	400
Height (mm)	1050
Surface area (m2)	0.32
Weight (kg)	16
Tollstatistical code	3925100000
GTIN	7090046760696
Recycling	 HDPE

Characteristics



Customizable containers



Recyclable



Wide temperature range



Chemical resistance



Leak test



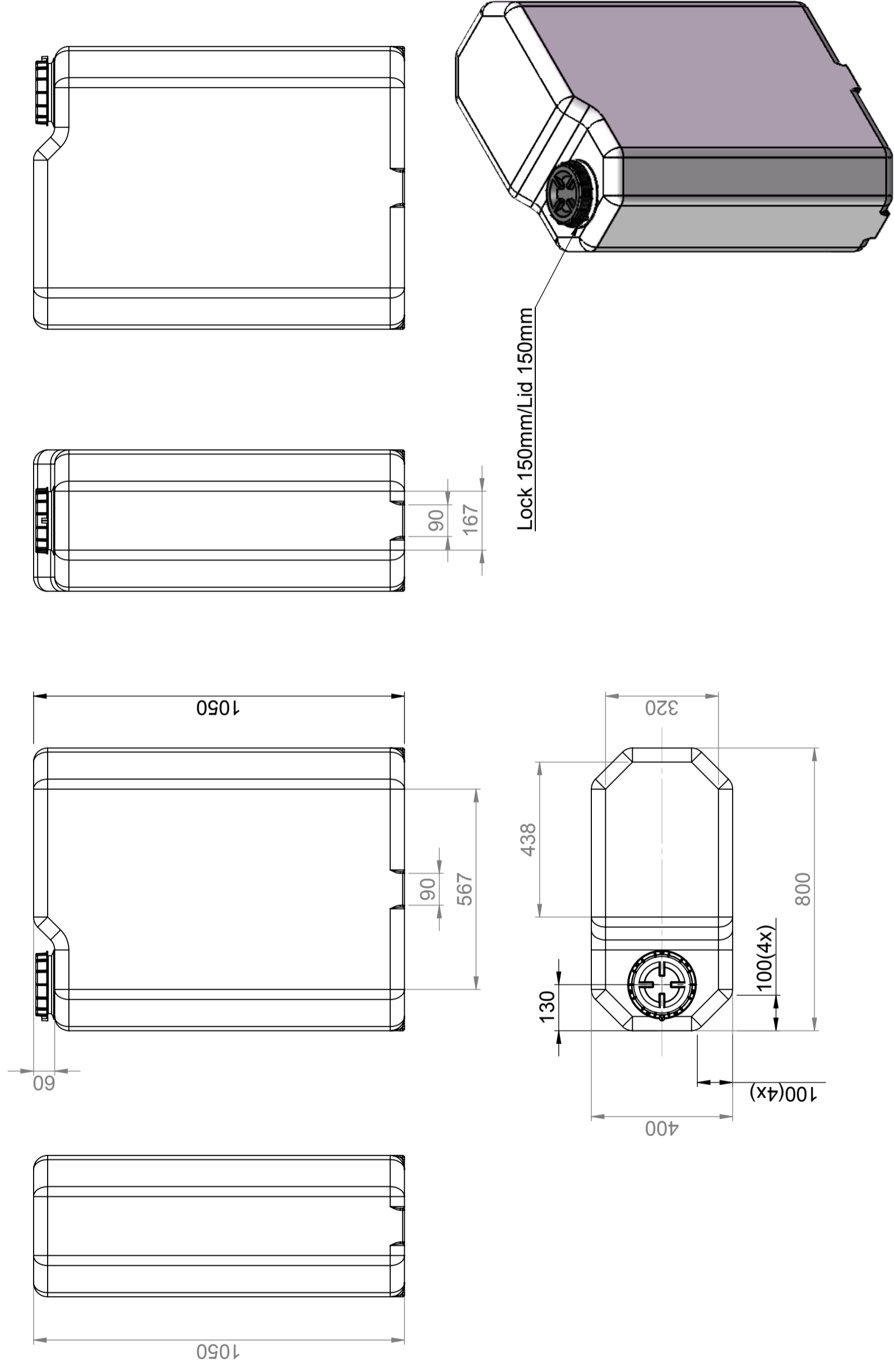
Logistics solutions



Suitable for food contact



Easy to clean



This drawing and design is the property of CIPAX. Copying and distribution of the drawing or any contents is prohibited without written permission from authorised personal at CIPAX

Generella toleranser om ej annat anges på ritning	Tillåtna avvikelser för långbasmattningsområde			
General tolerances if not other stated on drawing	Permissible deviations for basic length size range			
	0-20	>20-75	>75-150	>150-300
	± 0,5 mm	± 1 mm	± 1,5 mm	± 1,3 %
				± 1 %

Konstruerad av	SE	Granskad av	SE	Godkänd av - datum	SE - 2007-02-15	Generell tolerans	SS-ISO 2768-1	Generell Ytjämnhet, Ra	Skala	1:12
Ägare	CIPAX									
Titel/Benämning										
Rektangulär 270 liter 20301										
Ritningsnummer										
S3-2823										
Blad										
1(1)										