

CPX Container 500L rectangular



Substantial 150 mm O-ring sealed screw lid as standard. There are grooves for straps on the top and sides of the tank to make tying down easier. The container can be supplied with connections as required. The top of the container is load-bearing for e.g. a dosing pump. Flat surfaces for mounting connections on the short sides of the tank, of which two are protected/ recessed into the tank

Art.nr: 21501



Requires single door




Approximate size



78 kg CO₂-ekv.



EN1935/2004 (CPX 1314
Natural)

Specifications	
Material	PE
Shape	Rectangular
Bottom shape	Straight
Design	Closed
Lid type	150 mm O-ring sealed screw lid
Color	Natural
Volume (L)	500
Length (mm)	1170
Width (mm)	780
Height (mm)	780
Surface area (m ²)	0.92
Weight (kg)	30
Tare weight (max kg/l)	1.2
Tollstatistical code	3925100000
GTIN	7090046760702
Climate impact (kg CO ₂ -ekv.)	78
Recycling	
Food approval	Yes (CPX 1314 Natural)
Approved for drinking water according to WRAS	Yes

Characteristics



Customizable
containers



Recyclable



Wide
temperature
range



Chemical
resistance



Leak test



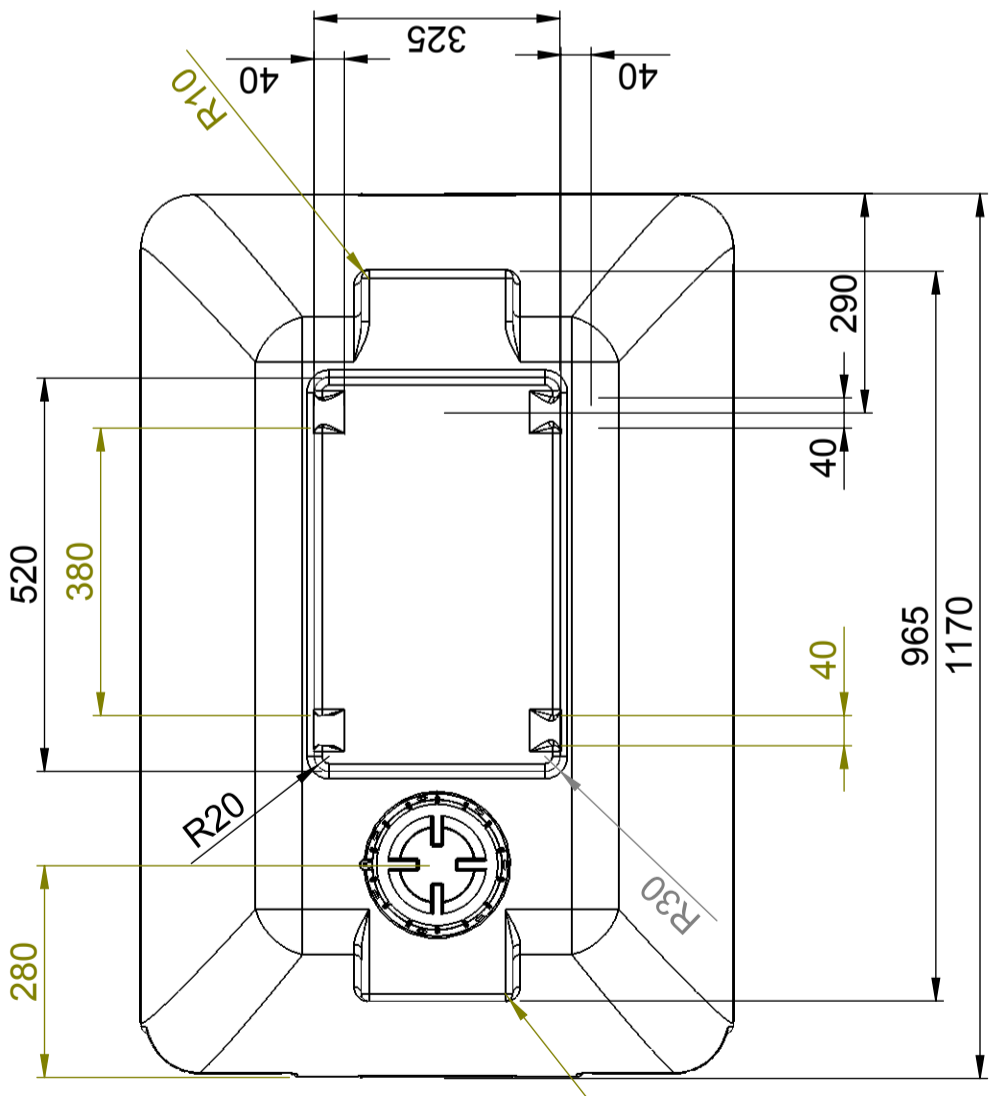
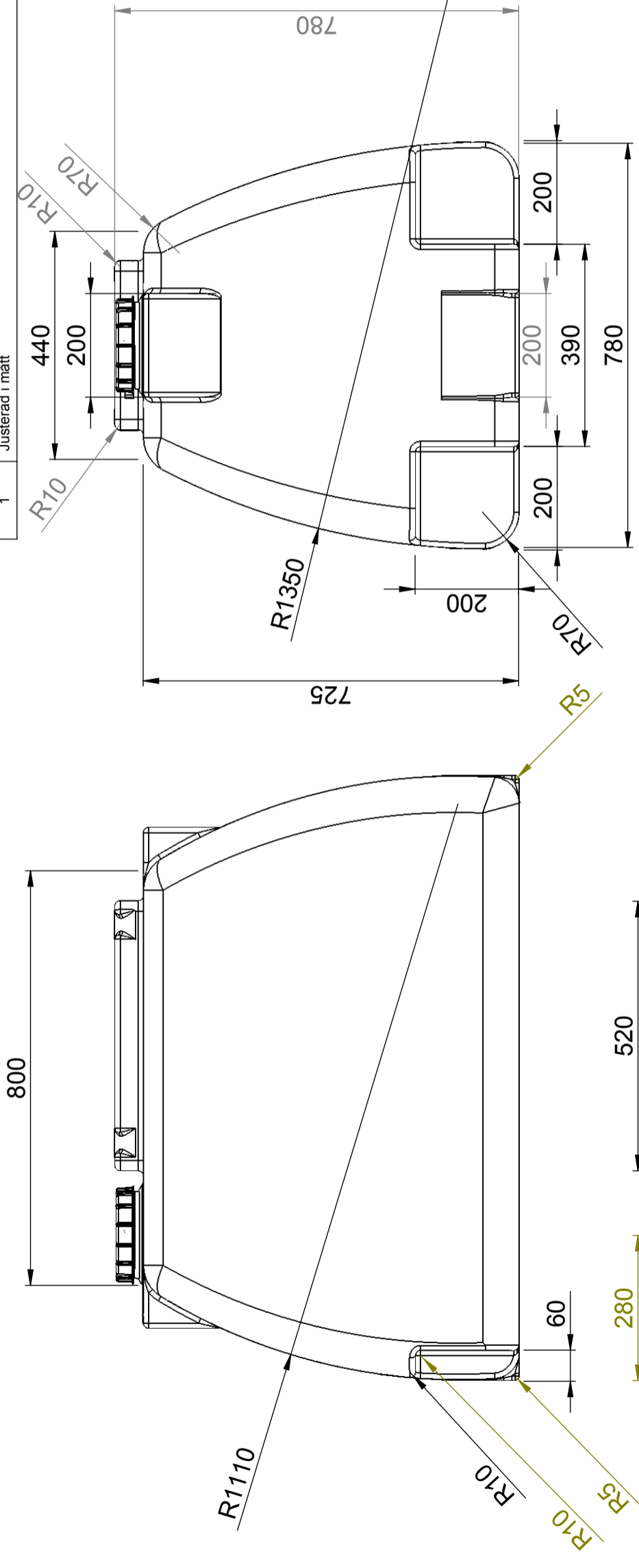
Logistics
solutions



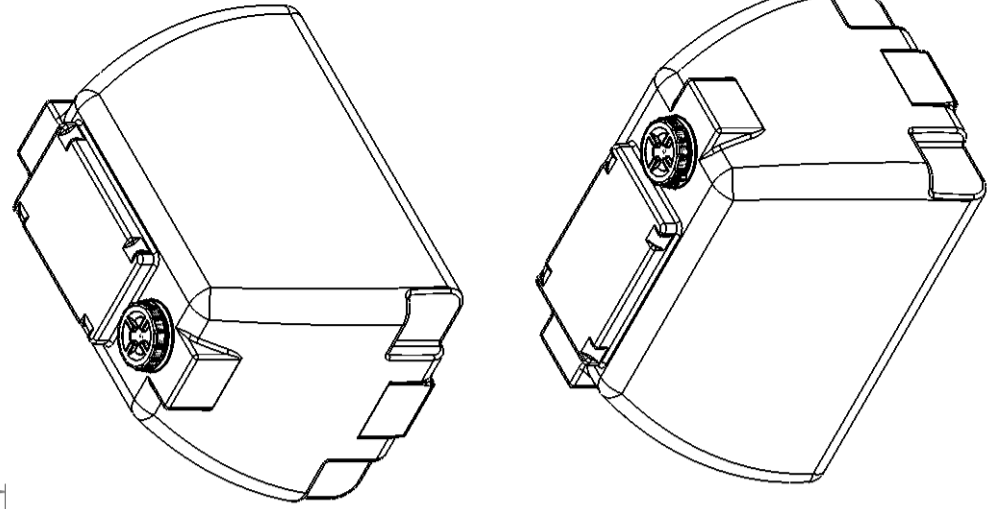
Easy to clean

Printed 08/05/2026

Ändrings Nr	Ändringens art / Ändringsmeddelande	Godkänd av	Datum
1	Justerad i mått	SE	2005-12-15



Gänghals för Skruvlock Ömplast std. 150



This drawing and design is the property of Cipax. Copying and distribution of the drawing or any contents is prohibited without written permission from authorised person at Cipax

Generella toleranser om ej annat anges på ritning	Tillåtna avvikelser för långbasmattns område
General tolerances if not other stated on drawing	Permissible deviations for basic length size range
0-20	$\pm 0.5\text{ mm}$
>20-75	$\pm 1.5\text{ mm}$
>75-150	$\pm 1.3\text{ %}$
>150-300	$\pm 1.3\text{ %}$
>300	$\pm 1\text{ %}$

Konstruerad av	Granskad av	Godkänd av - datum	Generell tolerans	Generell Ytjämnhet, Ra	Vyplacering	Skala
SE	SE	SE - 2005-10-28	SS-ISO 2768-1			1:20
Titel/Benämning						
Rekt. Behållare 500 liter 21501						
Ritningsnummer						
S3-2781						
Utgåva						
1						
Blad						
1(1)						

