

CPX Container 85L rectangular

The container has a substantial 150 mm O-ring sealed screw lid as standard. There are grooves for straps on the top and sides of the tank to make tying down easier. The container can be supplied with connections as required.

Art.nr: 20095



Requires single door



Approximate size

Specifications

Material	PE
Shape	Rectangular
Bottom shape	Straight
Design	Closed
Lid type	150 mm O-ring sealed screw lid
Color	Natural
Volume (L)	85
Length (mm)	600
Width (mm)	500
Height (mm)	405
Surface area (m2)	0.3
Weight (kg)	7.5
Tollstatistical code	3925100000
GTIN	7090046760665

Recycling



Characteristics



Customizable containers



Recyclable



Wide temperature range



Chemical resistance



Leak test



Logistics solutions

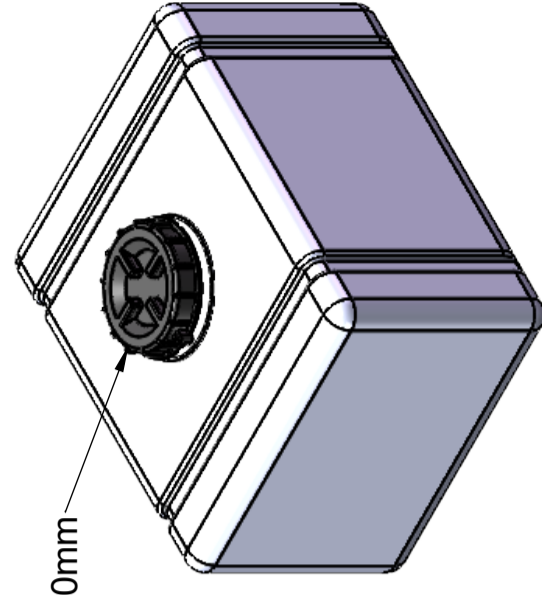
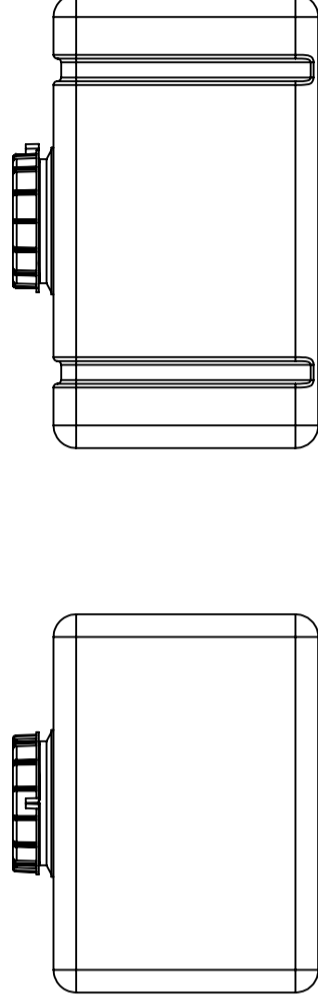
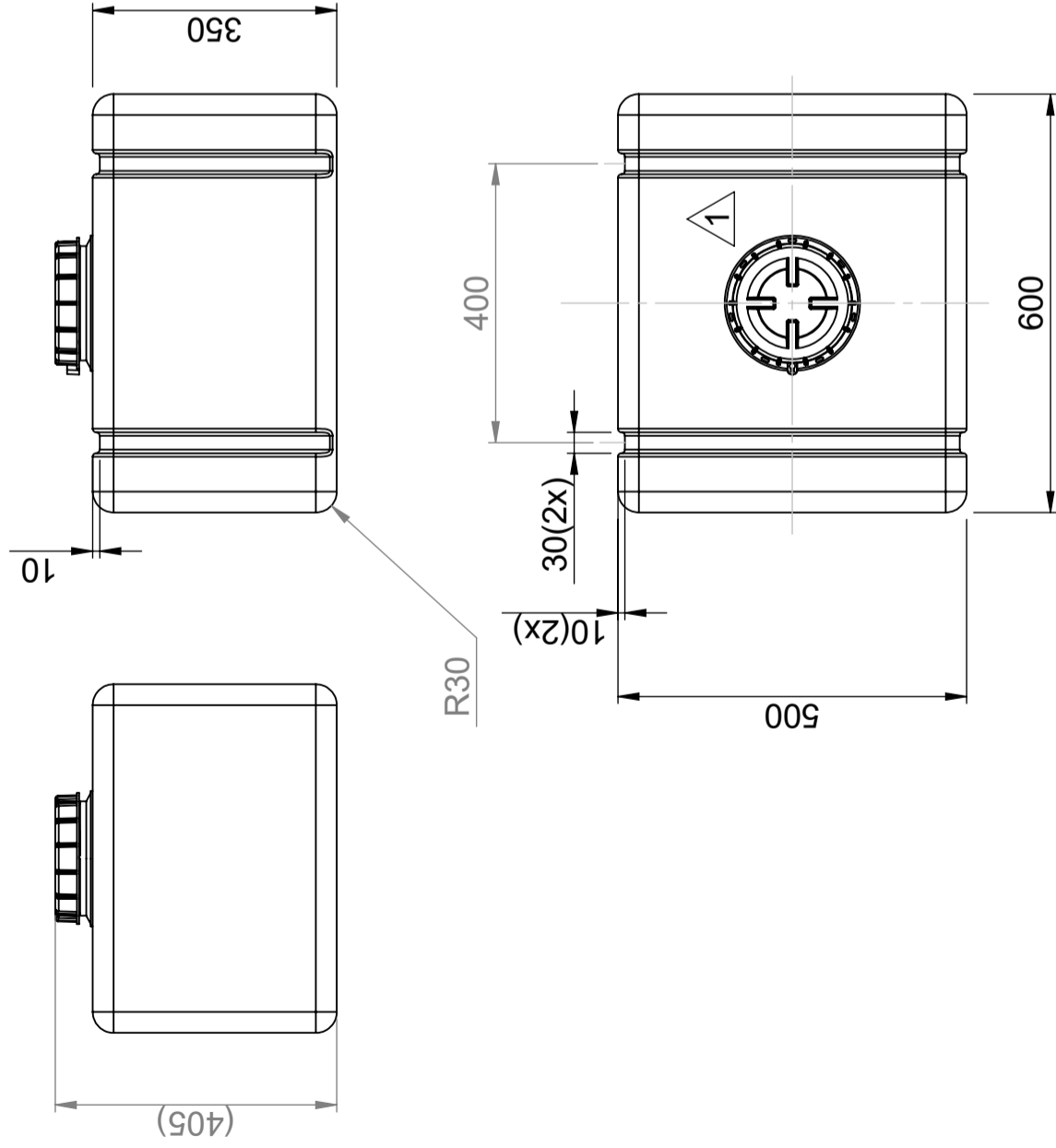
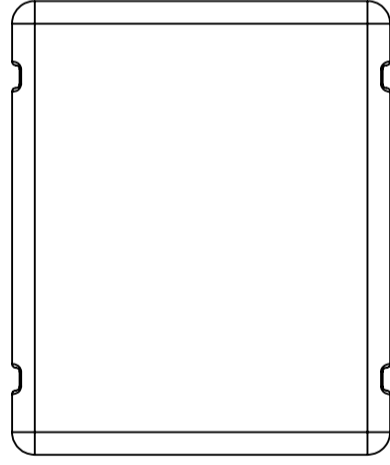


Suitable for food contact



Easy to clean

Ändrings Nr	Ändringens art / Ändringsmeddelande	Godkänd av	Datum
1	Connection removed	JA	20150302
2	Volume adjusted to 85 L	JA	20230404



Lock 150mm/Lid 150mm

Konstruerad av	SE	Granskad av	SE	Godkänd av - datum	SE - 2007-08-30	Generell tolerans	SS-ISO 2768-1	Generell Ytjämnhet, Ra	Vyplacering	Skala	1:10
Ägare	CIPAX										
Titel/Benämning	Rect. Container 85L										
Ritningsnummer	20095										
Blad	1(1)										

Generella toleranser om ej annat anges på ritning	Tillåtna avvikelser för längdbasområde			
General tolerances if not other stated on drawing	Permissible deviations for basic length size range			
	0-20	>20-75	>75-150	>150-300
	± 0.5 mm	± 1 mm	± 1.5 mm	± 1 %