




CPX Container 1500L cylindrical

The containers are made in a single piece with excellent chemical and corrosion resistance and used for the application of mixing, dosing and storing. The conical bottom gives optimal flow and complete emptying. Molded 1½" bottom connection as standard. The containers can be supplied with pre-installed connection and accessories as per request.

Art.nr: 25011

Specifications	
Material	PE
Shape	Cylindrical
Bottom shape	Conical
Lid type	
Color	Natural
Volume (L)	1500
Height (mm)	2060
Diameter (mm)	1210
Surface area (m2)	0.87
Weight (kg)	122
Recycling	 HDPE

Characteristics



Customizable
containers



Recyclable



Wide
temperature
range



Chemical
resistance



Leak test



Logistics
solutions



Suitable for
food contact

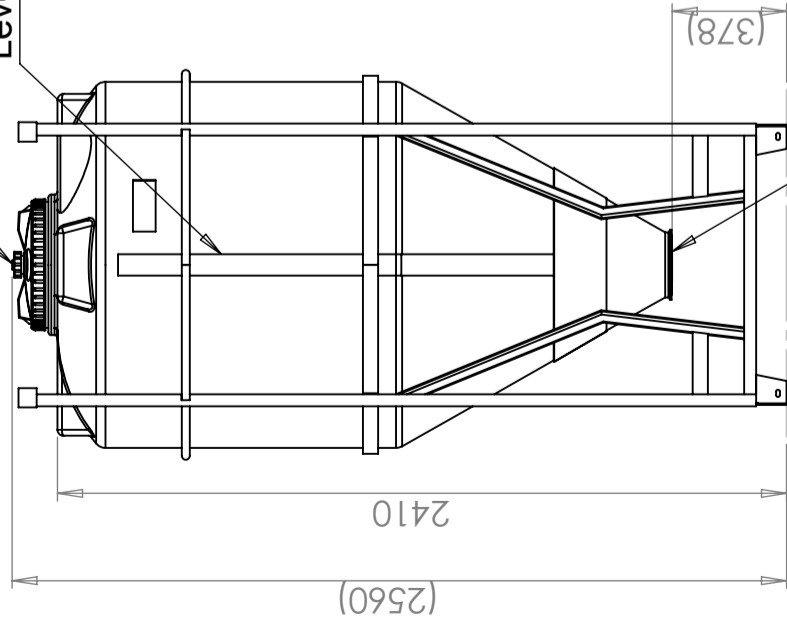


Easy to clean

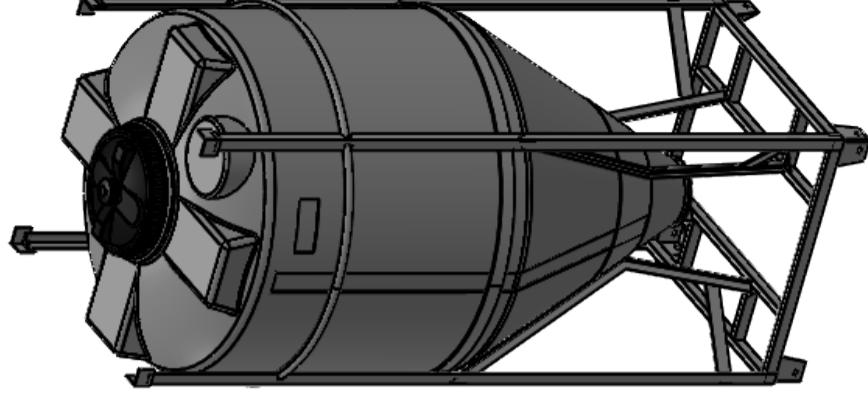
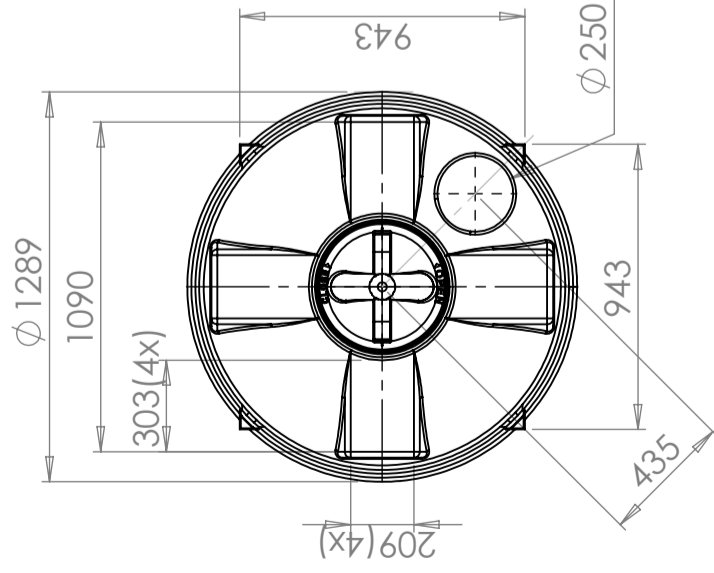
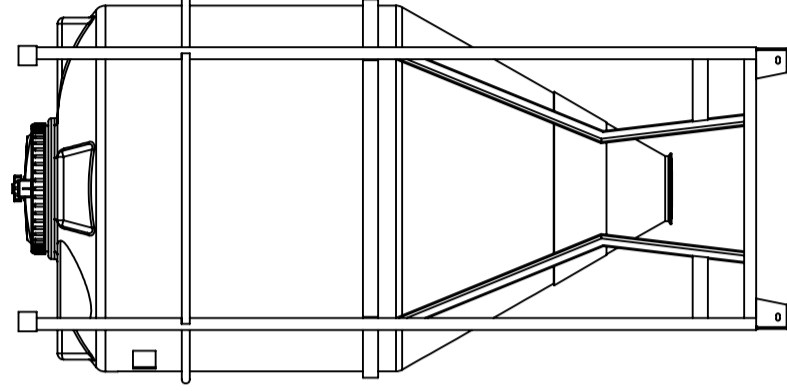
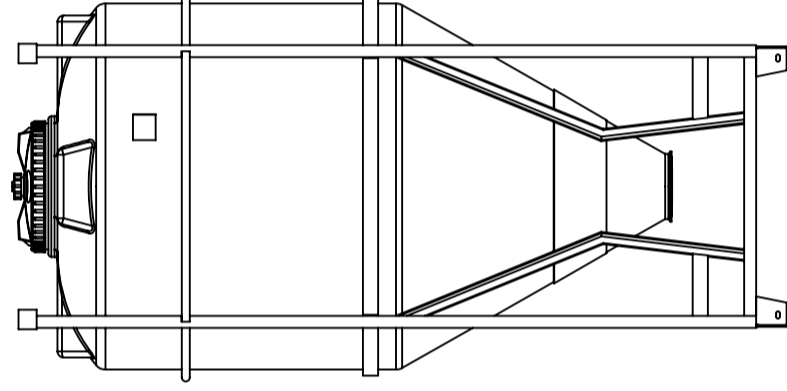
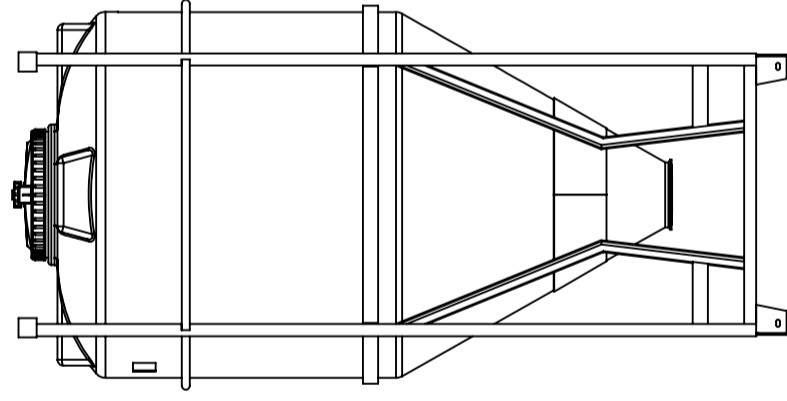
Revision	
REV.	Ändringsmeddelande
	Datum
	Godkänd

Lock Ø150mm med ventilation/
 Lid Ø150mm with ventilation

Nivåskala/
 Level scale



Valbar utgång/
 Choosable outlet



Tank: PE, naturell/Tank: PE, Neutral
 Stativ: Stål, pulverlackat mörkgrått/Stand: Steel, powder coated dark grey

Konstruerad av	Granskad av	Godkänd av - datum	Generell Ytjämnhet, Ra	Vyplacering	Skala
JA	MB	- JA 2020-02-17			1:25
Titel/Benämning			Generella toleranser om ej annat anges på ritning		
CPX Behållare 1500L cylindrisk			Permissible deviations for basic length size range. Be valid + 20°C		
Ritningsnummer			General tolerances if not other stated on drawing		
25011			0-20 ± 0,5 mm ± 1,3 %		
Utgåva			>20-75 ± 1 mm ± 1,3 %		
A			>150-300 ± 1,5 mm ± 1 %		
Blad			>300 ± 1 %		
1(1)					

Tillåtna avvikelser för längdbasområde. Gäller + 20°C			
Permissible deviations for basic length size range. Be valid + 20°C			
0-20	>20-75	>75-150	>150-300
± 0,5 mm	± 1 mm	± 1,5 mm	± 1,3 %
			± 1 %