



CPX Container 150L triangulär

The tank is designed to be easily located in a corner, especially in confined spaces. The container has a 150 mm O-ring sealed lid as standard. For mixing, dosing and storage. The container can be supplied with connections as required.

Art.nr: 14315



Requires single door



Approximate size

Specifications

Material	PE
Shape	
Bottom shape	Straight
Design	Closed
Lid type	150 mm O-ring sealed screw lid
Color	Natural
Volume (L)	150
Width (mm)	640
Height (mm)	1200
Surface area (m ²)	0.27
Weight (kg)	11
Tollstatistical code	3925100000

Recycling



Characteristics



Customizable containers



Recyclable



Wide temperature range



Chemical resistance



Leak test



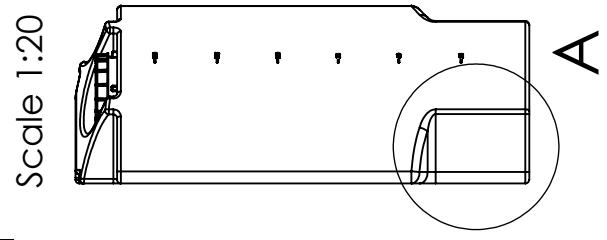
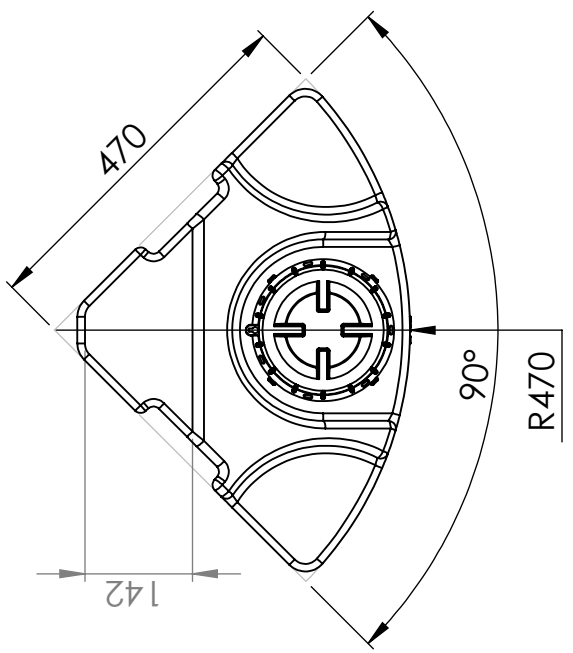
Logistics solutions



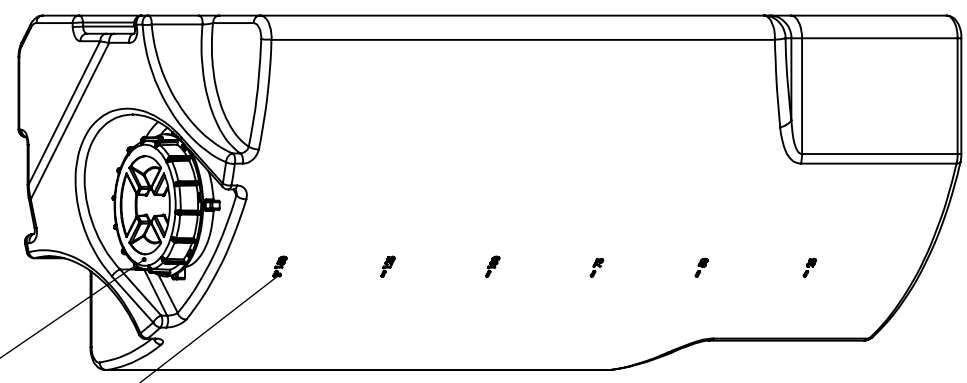
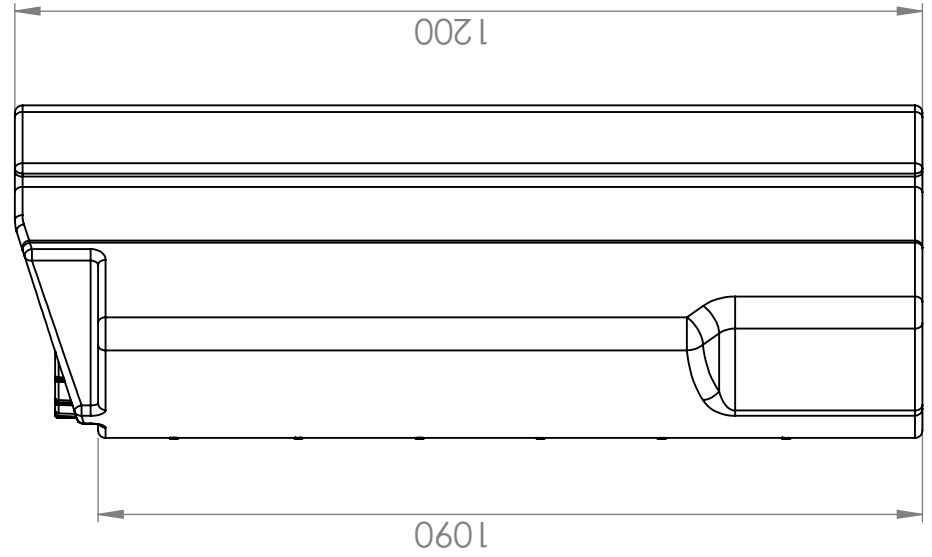
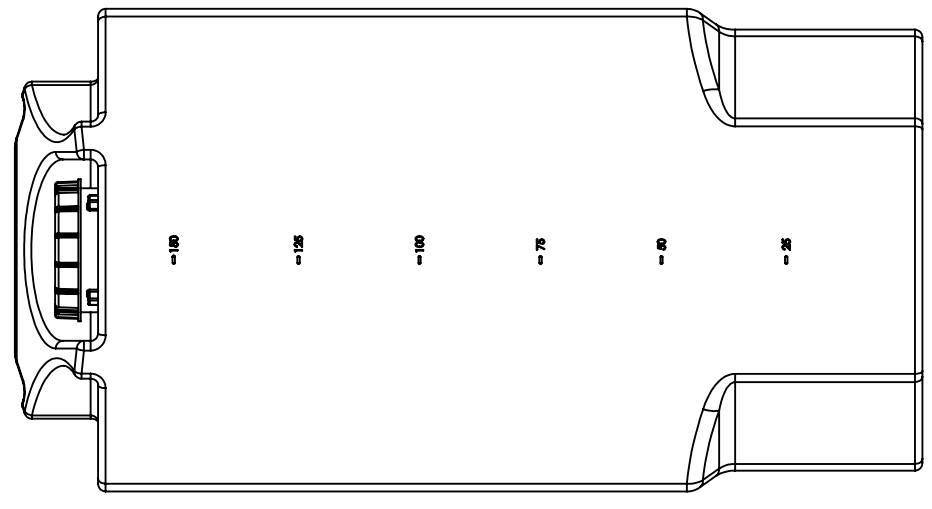
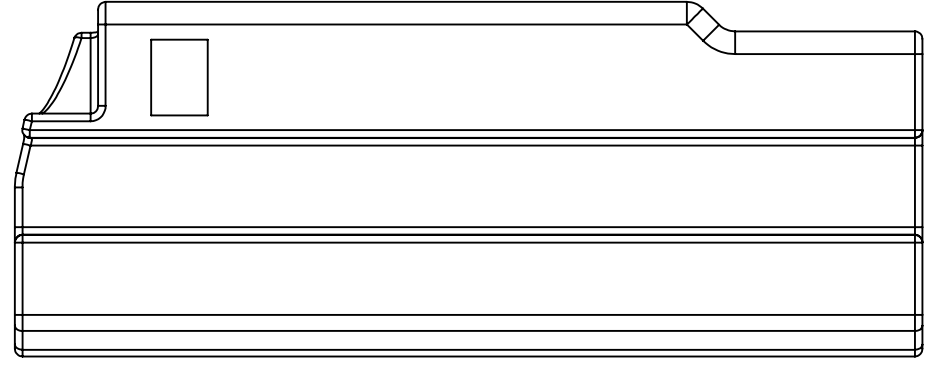
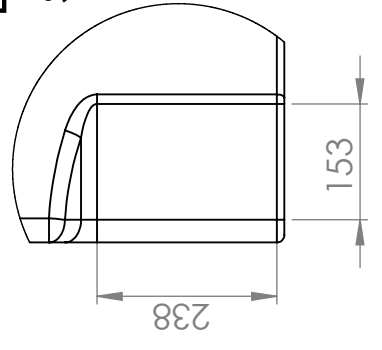
Suitable for food contact



Easy to clean



DETAIL A
SCALE 1 : 10



Cipax Std. 150 mm lockable lid
Volume gauge 25L intervals

Generella toleranser om ej annat anges på ritning	Tillåtna avvikelser för längdbasområde. Gäller + 20°C			
General tolerances if not other stated on drawing	0-20	>20-75	>75-150	>150-300
	± 0,5 mm	± 1 mm	± 1,5 mm	± 1,3 %
				± 1 %

Konstruerad av	Granskad av	Godkänd av - datum	Generell tolerans	Generell Ytjämnhet, Ra	Vyplacering	Skala
MB	SE	MB SE 2017-01-31				1:10
Titel/Benämning						
150L Triangular tank						
Ritningsnummer						Blad
14315						A
						1(1)

