




CPX Container 650L cylindrical

The containers are made in a single piece with excellent chemical and corrosion resistance and used for the application of mixing, dosing and storing. The conical bottom gives optimal flow and complete emptying. Molded 1½" bottom connection as standard. The containers can be supplied with pre-installed connection and accessories as per request.

Art.nr: 25009

Specifications	
Material	PE
Shape	Cylindrical
Bottom shape	Conical
Lid type	
Color	Natural
Volume (L)	650
Height (mm)	1110
Diameter (mm)	1210
Surface area (m2)	0.87
Weight (kg)	70
Recycling	 HDPE

Characteristics



Customizable
containers



Recyclable



Wide
temperature
range



Chemical
resistance



Leak test



Logistics
solutions



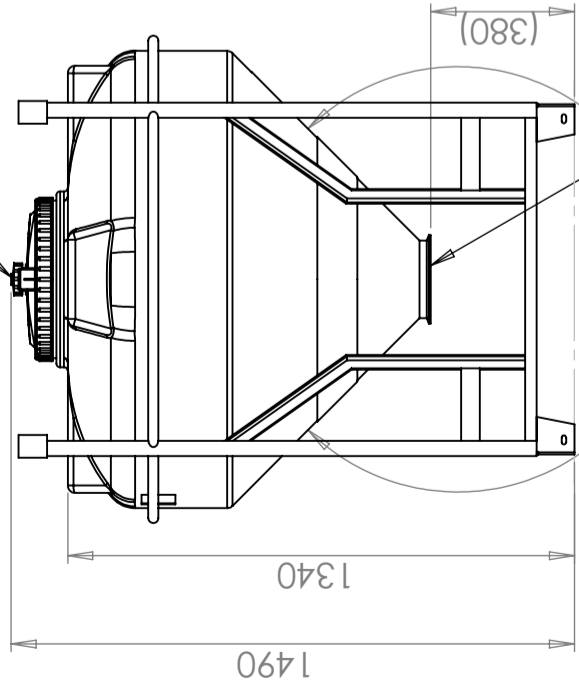
Suitable for
food contact



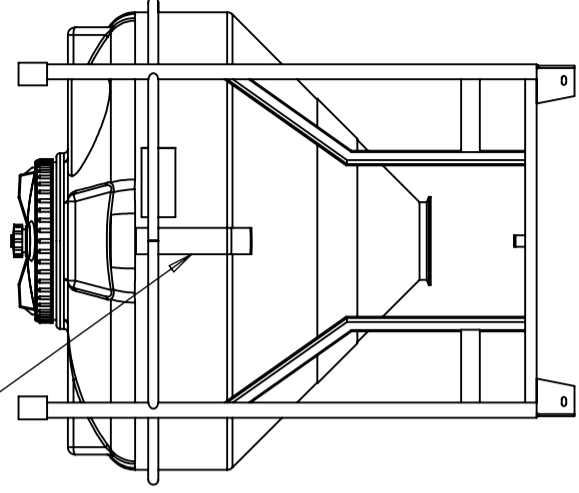
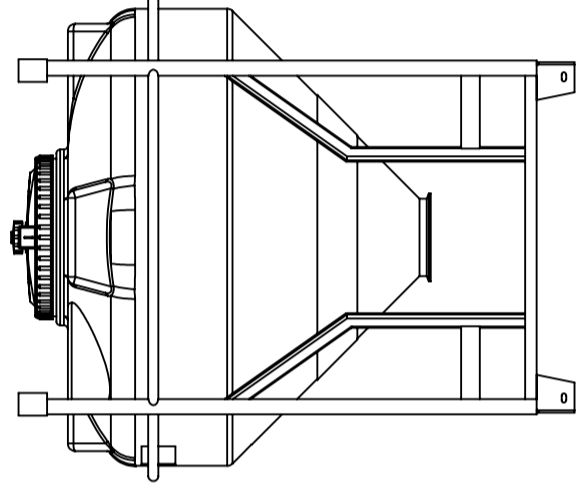
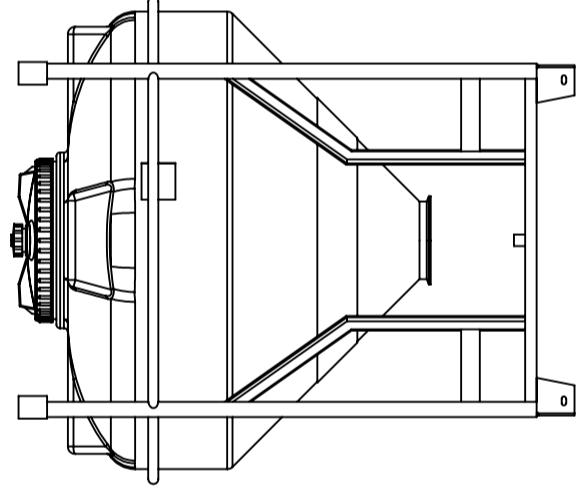
Easy to clean

Revision		Godkänd	
REV.	Ändringsmeddelande	Datum	

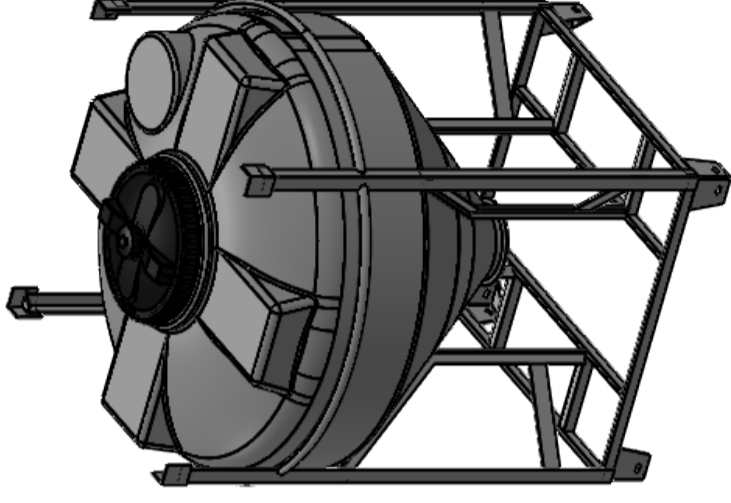
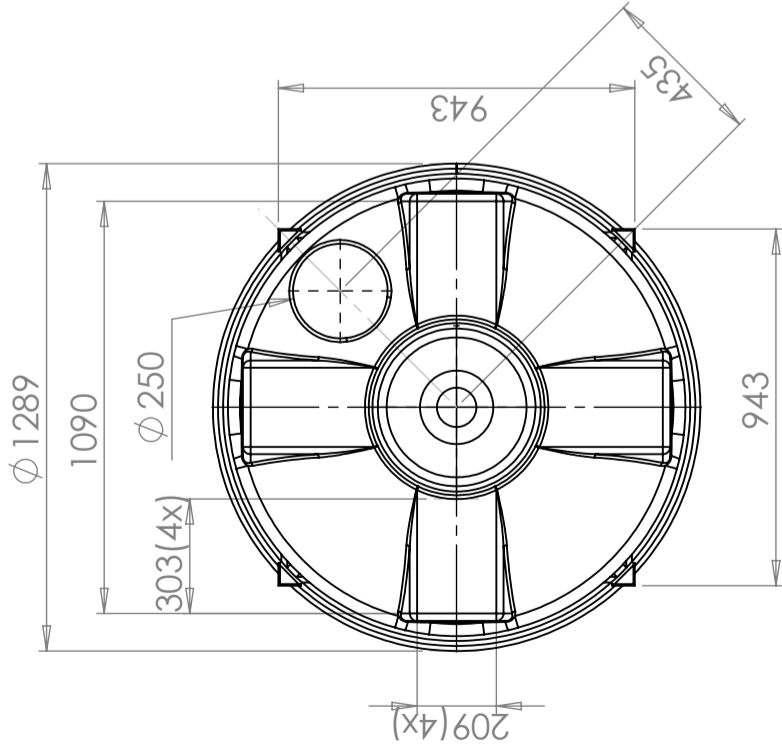
Lock Ø370mm med ventilation/
 Lid Ø370mm with ventilation



Valbar utgång/
 Choosable outlet



Nivåskala/
 Level Scale



Tank: PE, naturell/Tank:PE, Neutral
 Stativ: Stål, pulverlackat mörkgrått/Stand: Steel, powder coated dark grey

Konstruerad av JA	Granskad av MB	Godkänd av - datum JA 2020-03-16	Generell tolerans SS-ISO 2768-1	Ytjämnhet, Ra	Vyplacering 	Skala 1:20
Titel/Benämning CPX Behållare 650L cylindrisk						
Ränningsnummer 25009						Utgåva A
						Blad 1(1)

Generella toleranser om ej annat anges på ritning	Tillåtna avvikelser för längdbasområde. Gäller + 20°C		
General tolerances if not other stated on drawing	Permissible deviations for basic length size range. Be valid + 20°C		
	0-20	>20-75	>75-150
	± 0,5 mm	± 1 mm	± 1,5 mm
		± 1,3 %	± 1 %
			>300
			± 1 %