


CPX Container 680L rectangular

The containers are made in a single piece with excellent chemical and corrosion resistance and used for the application of mixing, dosing and storing. We can supply with pre-installed connection and accessories as per request.

Art.nr: 25012



Specifications	
Material	PE
Shape	Rectangular
Lid type	
Color	Natural
Volume (L)	680
Length (mm)	1200
Width (mm)	750
Height (mm)	990
Surface area (m2)	0.9
Weight (kg)	30
Recycling	 HDPE

Characteristics



Customizable
containers



Recyclable



Wide
temperature
range



Chemical
resistance



Leak test



Logistics
solutions

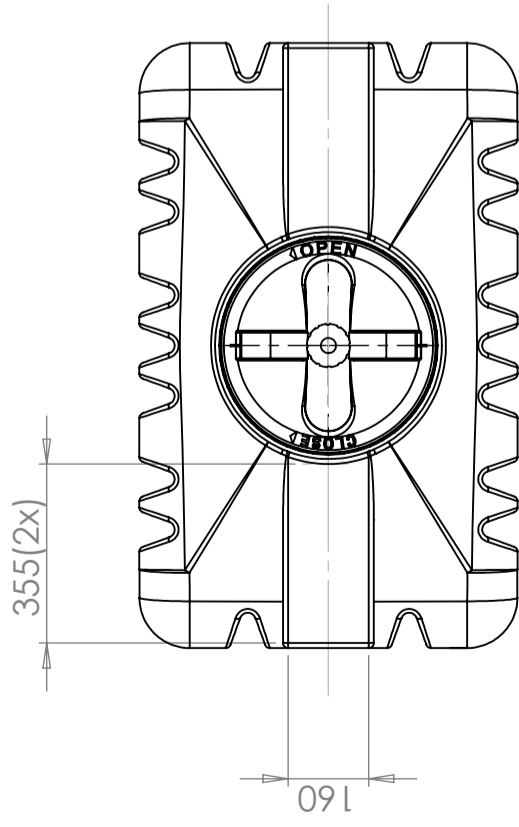
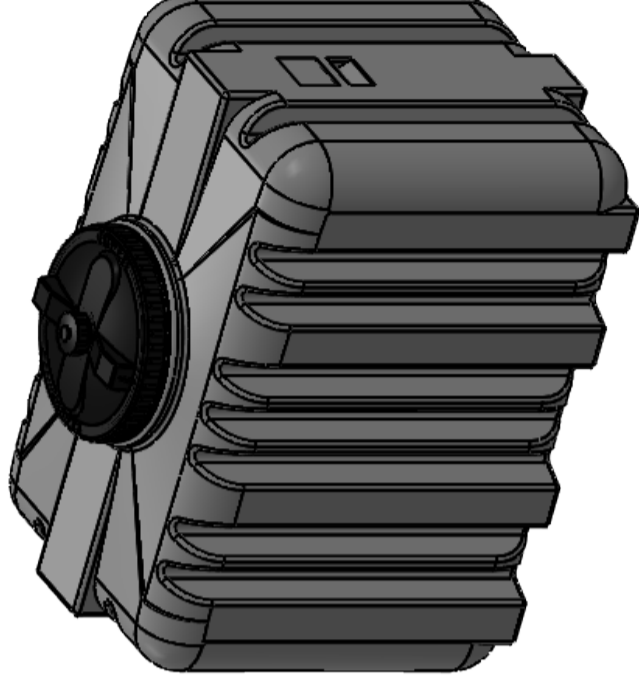
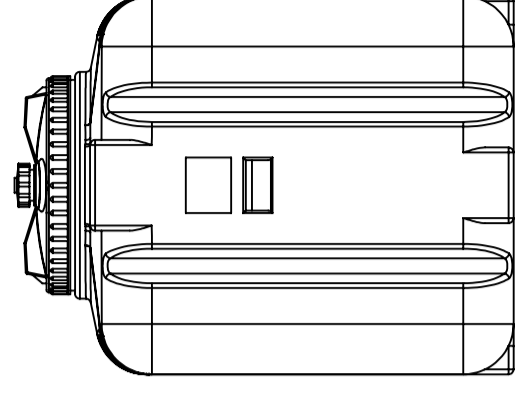
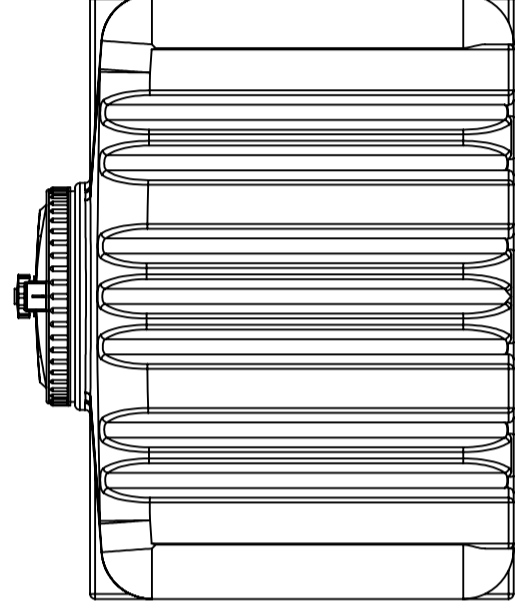
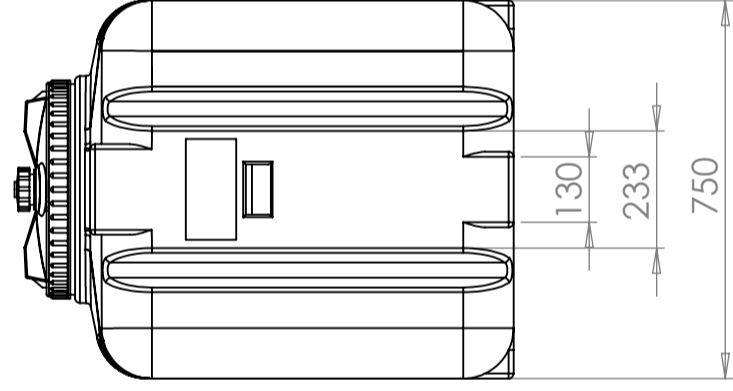
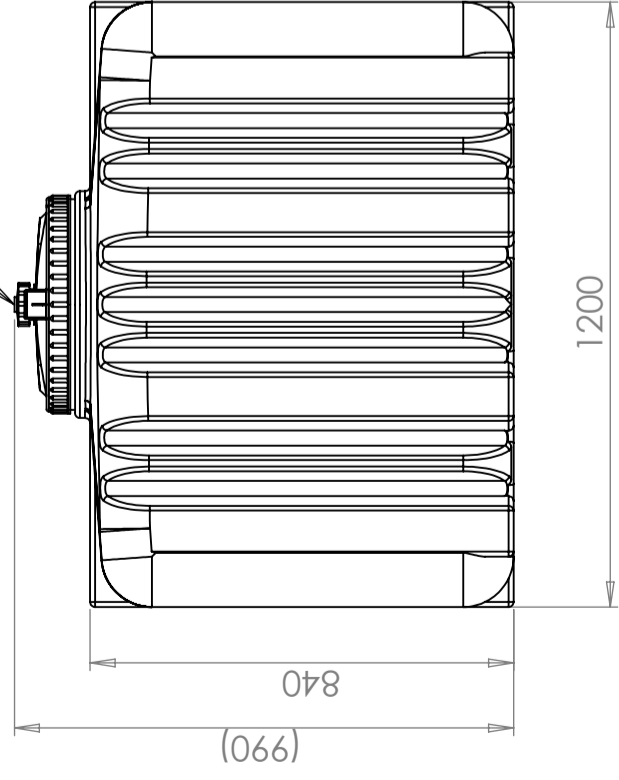


Suitable for
food contact



Easy to clean

Lock Ø370mm med ventilation/
 Lid Ø370mm with ventilation



Revision

Godkänd

Datum

Ändringsmeddelande

REV.

Tank: PE, naturell/Tank: PE neutral

Konstruerad av JA	Granskad av MB	Godkänd av - datum JA 2020-03-17	Generell tolerans SS-ISO 2768-1	Generell Ytjämnhet, Ra	Vyplacering 	Skala 1:15
Titel/Benämning CPX Behållare 680L rektangulär			Ritningsnummer 25012		Utgåva A	Blad 1(1)

Generella toleranser om ej annat anges på ritning	Tillåtna avvikelser för längdbasområde. Gäller + 20°C		
General tolerances if not other stated on drawing	Permissible deviations for basic length size range. Be valid + 20°C		
	0-20	>20-75	>75-150
	± 0,5 mm	± 1 mm	± 1,3 %
			± 1 %