

1500 litres, 11015



Substantial 150 mm O-ring sealed screw lid as standard. The well-protected lid located on top of the tank can be fitted with a lock (accessory). The container can be supplied with connections as required. Flat surfaces for mounting connections on the side and the top of the tank. The top of the container is load-bearing for e.g. a dosing pump.

Art.nr: 11015

Specifications

Bottom shape Straight

Volume (L) 1500

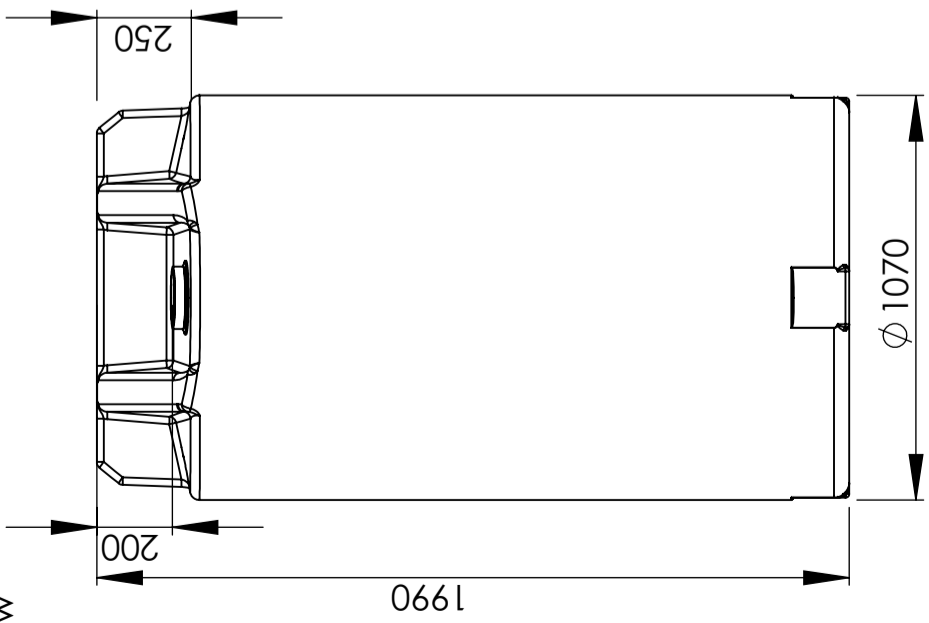
Height (mm) 1985

Diameter (mm) 1070

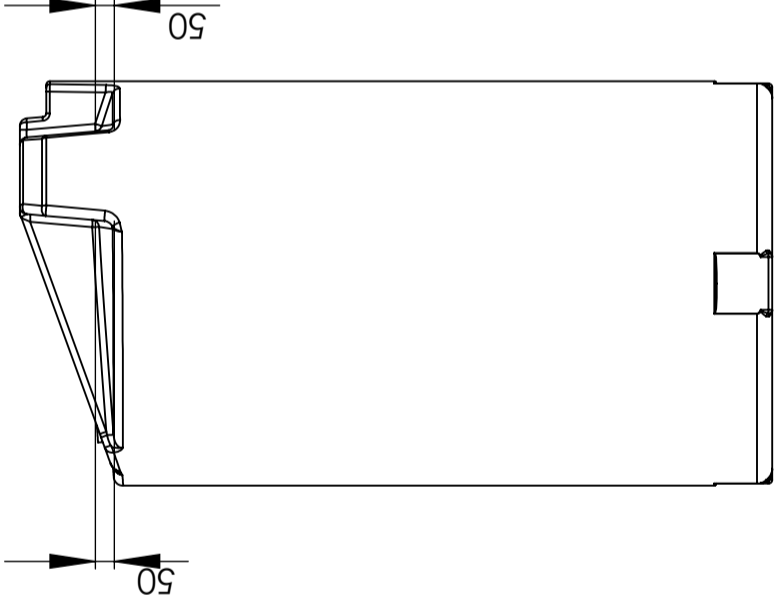
Recycling



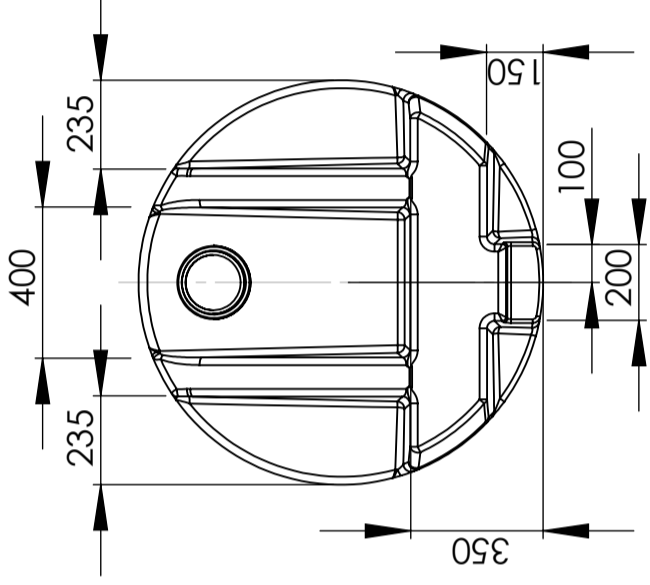
Back view



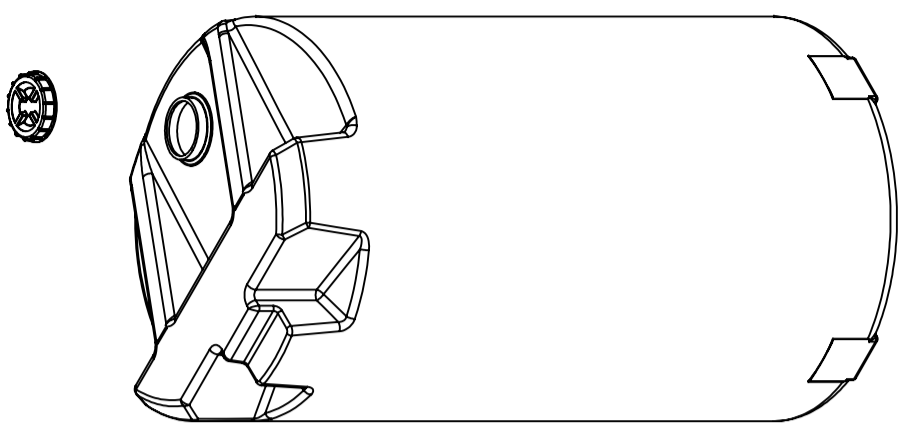
Left view



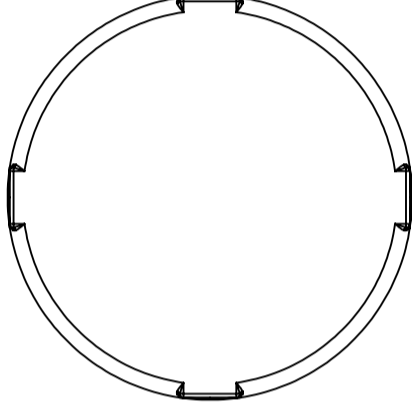
Top view



Screw Cap



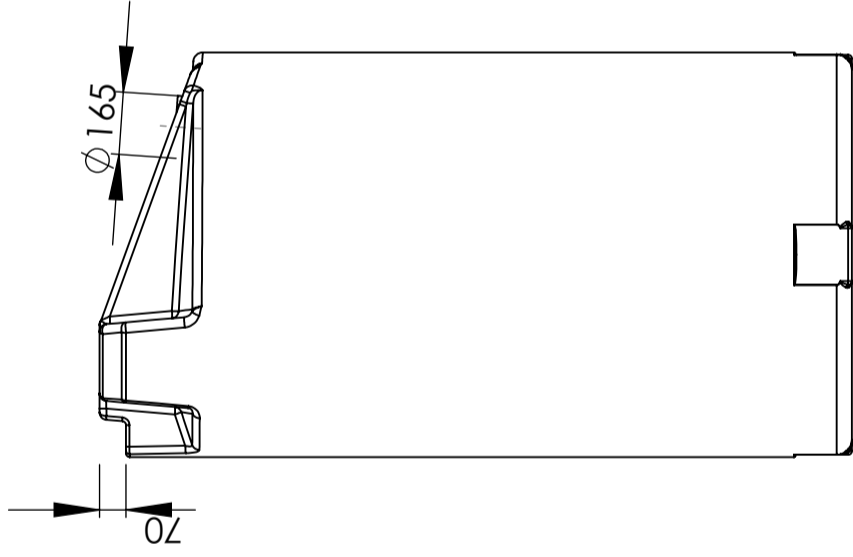
Bottom view



Front view



Right view



Opphavsrett / Copyright
© Copyright Cipax AS



11015
Container, cylindrical
1500 litres

523-34

DWG NO. A3
SHEET 1 OF 1
SCALE: 1:20

DEBUR AND
BREAK SHARP
EDGES

FINISH:
UNLESS OTHERWISE SPECIFIED:
DIMENSIONS ARE IN MILLIMETERS
SURFACE FINISH:
TOLERANCES:
LINEAR:
ANGULAR:

SIGNATURE

DATE

NAME

DRAWN

CHK'D

APP'VD

MFG

Q.A

COMMENT:

02.04.2009

Rigmor Andreassen

Trond Magne Aamodt

PE, LLD

MATERIAL:

WEIGHT:

DO NOT SCALE DRAWING

REVISION

PE, LLD

REVISION

REVISION

REVISION

REVISION

REVISION

REVISION

REVISION

REVISION

REVISION

REVISION

REVISION

REVISION