


CPX Marine water tank 320L

Art.nr: 403791



Specifications	
Material	PE
Shape	Rectangular
Lid type	150 mm O-ring sealed screw lid
Color	Natural
Volume (L)	320
Length (mm)	1500
Width (mm)	390
Height (mm)	475
Weight (kg)	18
Tollstatistical code	3926909790
Recycling	

Characteristics



Recyclable



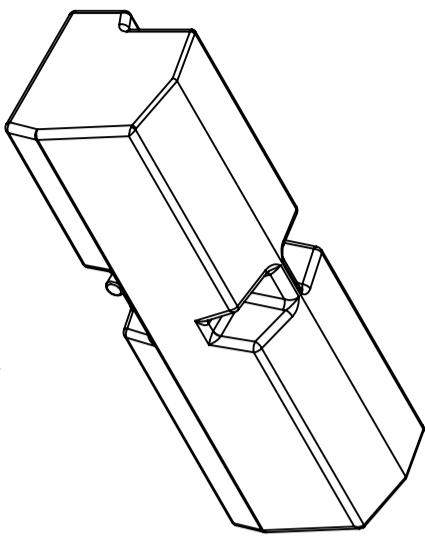
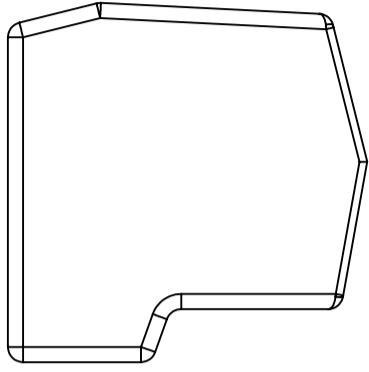
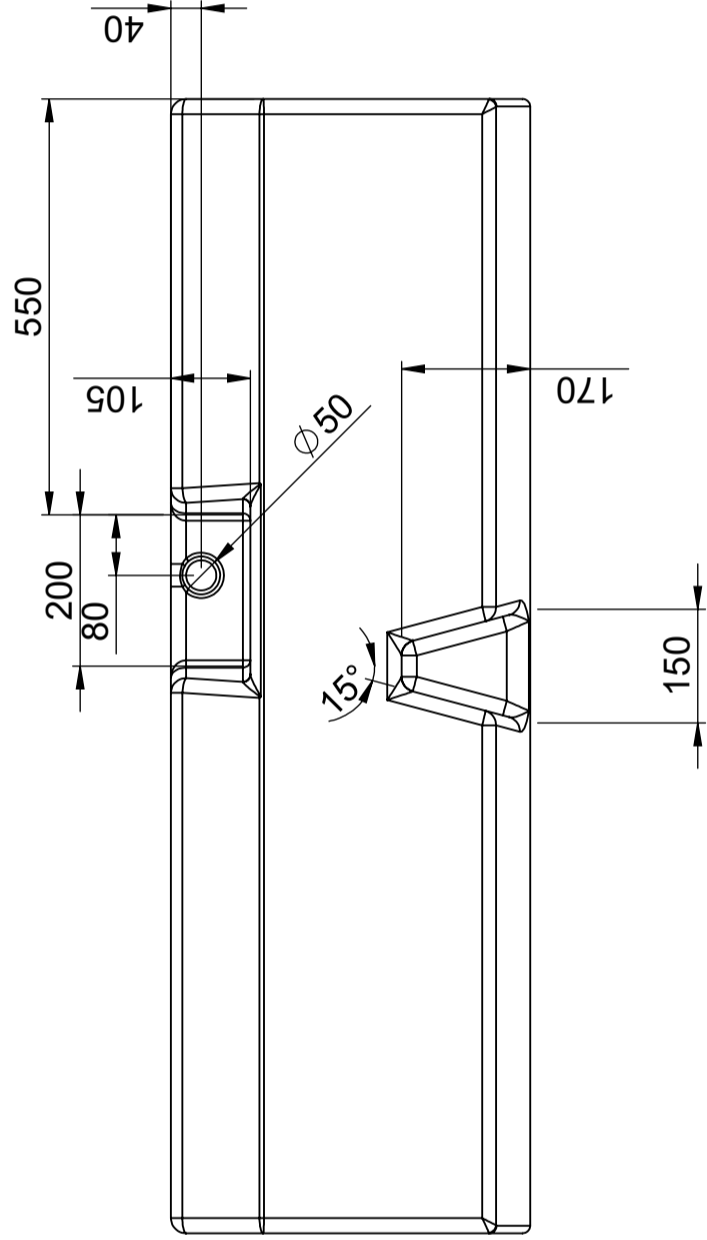
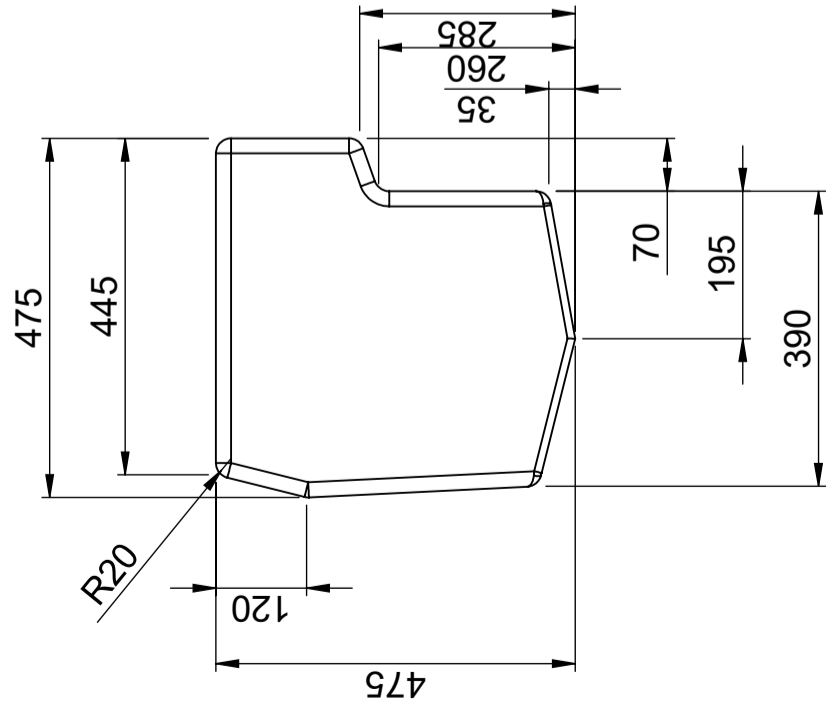
Wide temperature range



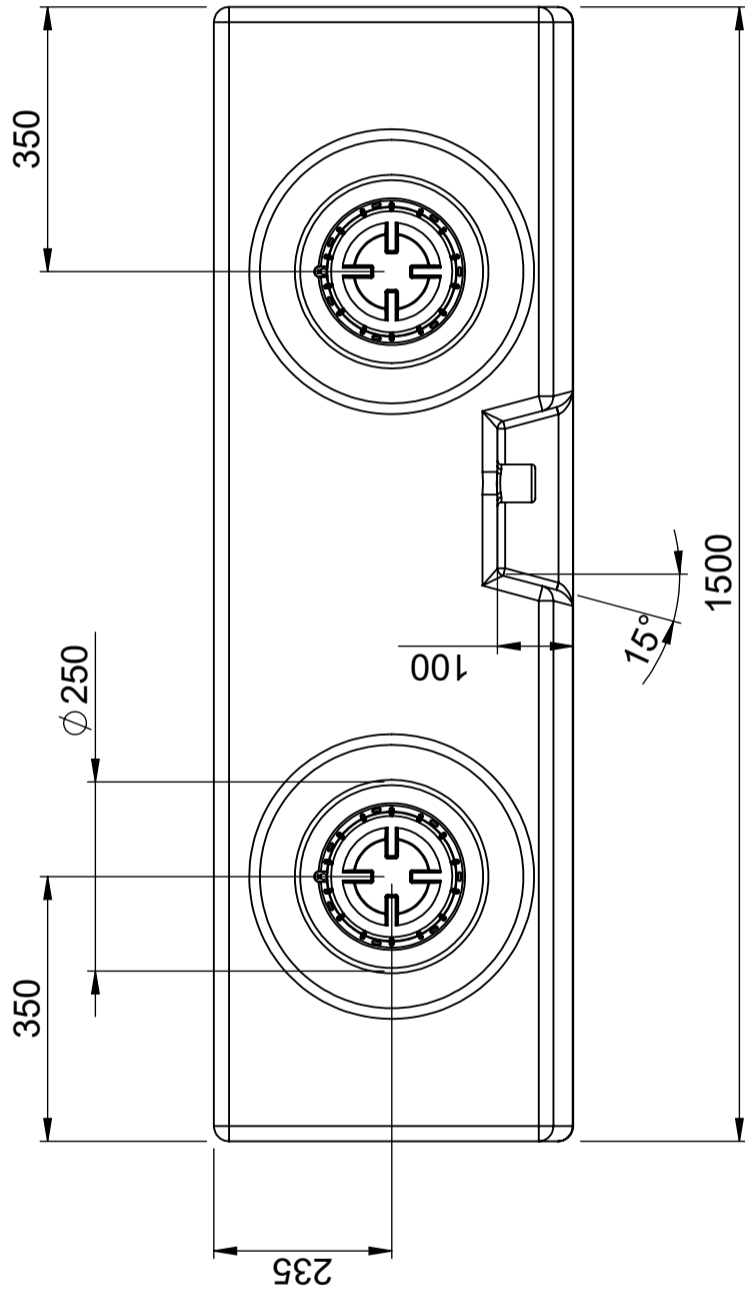
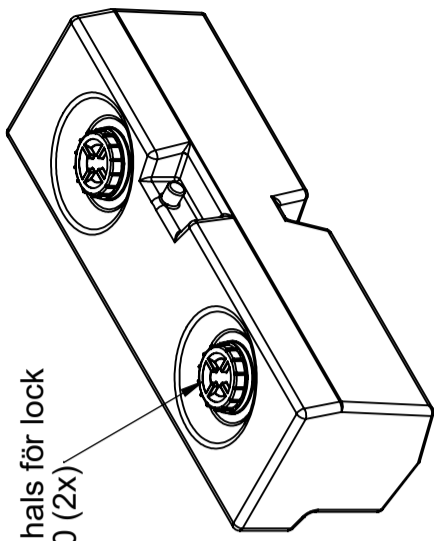
Suitable for food contact



Easy to clean



Gånghals för lock
Ø 150 (2x)



Generella toleranser om ej annat anges på ritning	Tillåtna avvikelser för längdbasmåttområde
General tolerances if not other stated on drawing	Permissible deviations for basic length size range
± 0,5 mm	0-20
± 1 mm	>20-75
± 1,5 mm	>75-150
± 1,3 %	>150-300
± 1 %	>300

This drawing and design is the property of CIPax.
Copying and distribution of the drawing or any contents
is prohibited without written permission from authorised
personnel at CIPax

SE

SE

SE - 2010-04-16

SS-ISO 2768-1

Ytjämnhet, Ra

Vyplacering

Skala 1:20

Ägare



Titel/Benämning
Vattentank 320 liter 40379-1
Ritningsnummer
40379-1

Blad 1(1)