


CPX Marine water tank 40L

Art.nr: 40033



Specifications	
Material	PE
Shape	Rectangular
Lid type	150 mm O-ring sealed screw lid
Color	Natural
Volume (L)	40
Length (mm)	505
Width (mm)	400
Height (mm)	385
Weight (kg)	3.5
Tollstatistical code	3926909790
Recycling	 HDPE

Characteristics



Customizable
containers



Recyclable



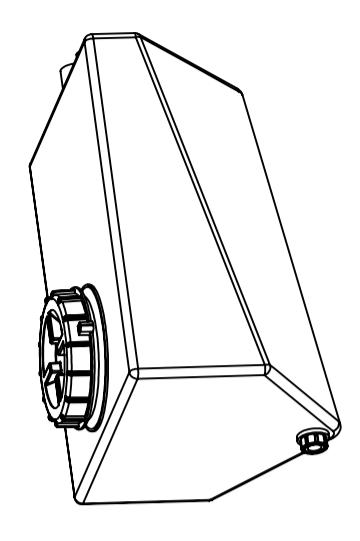
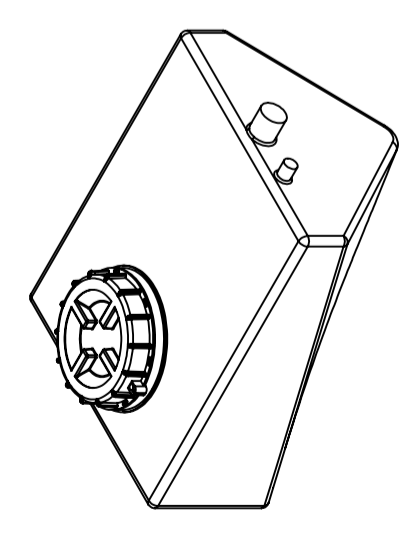
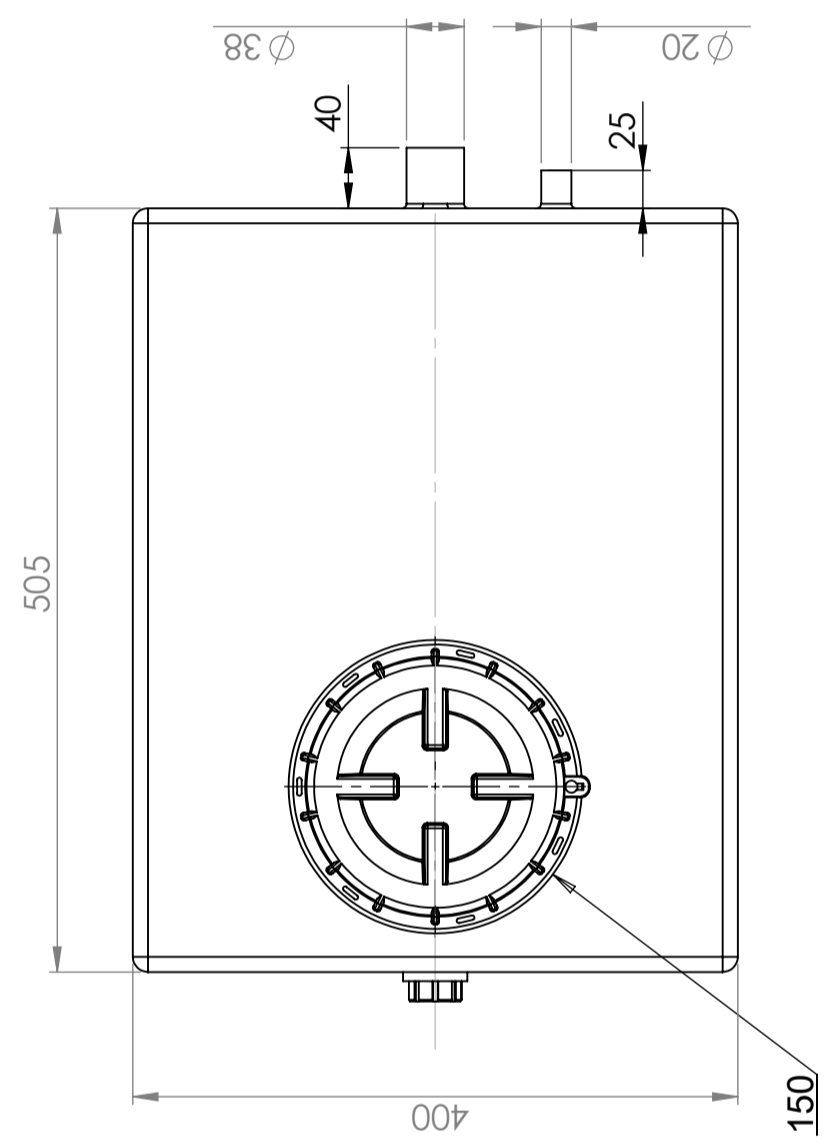
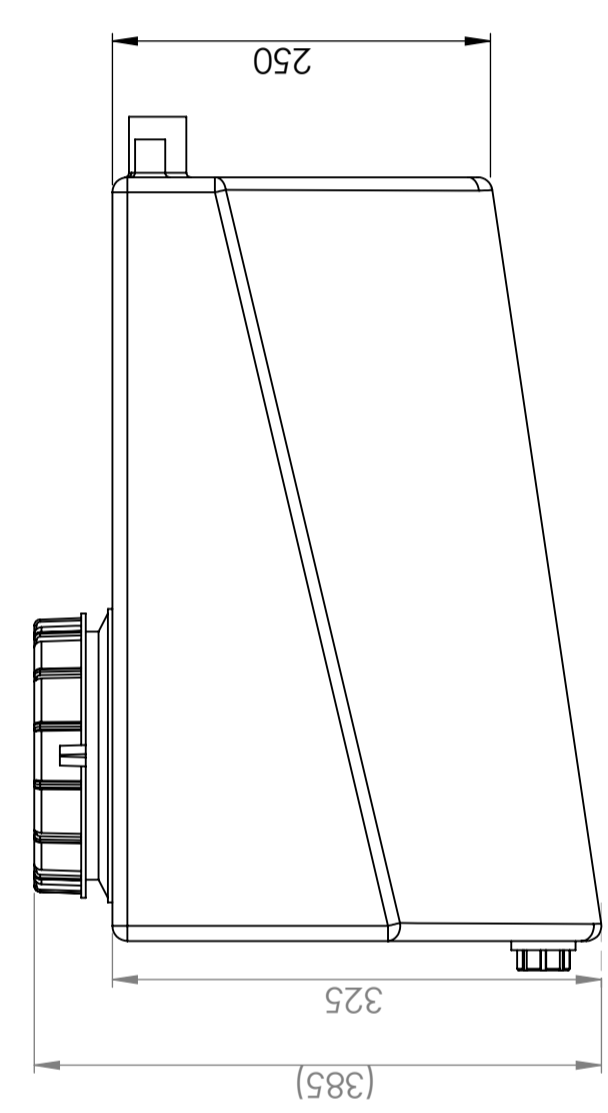
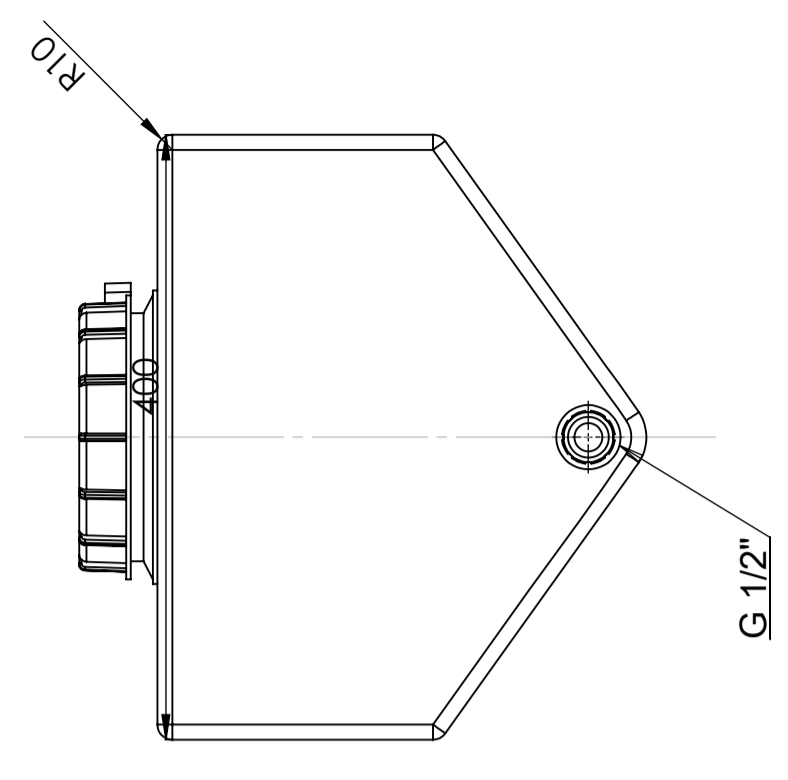
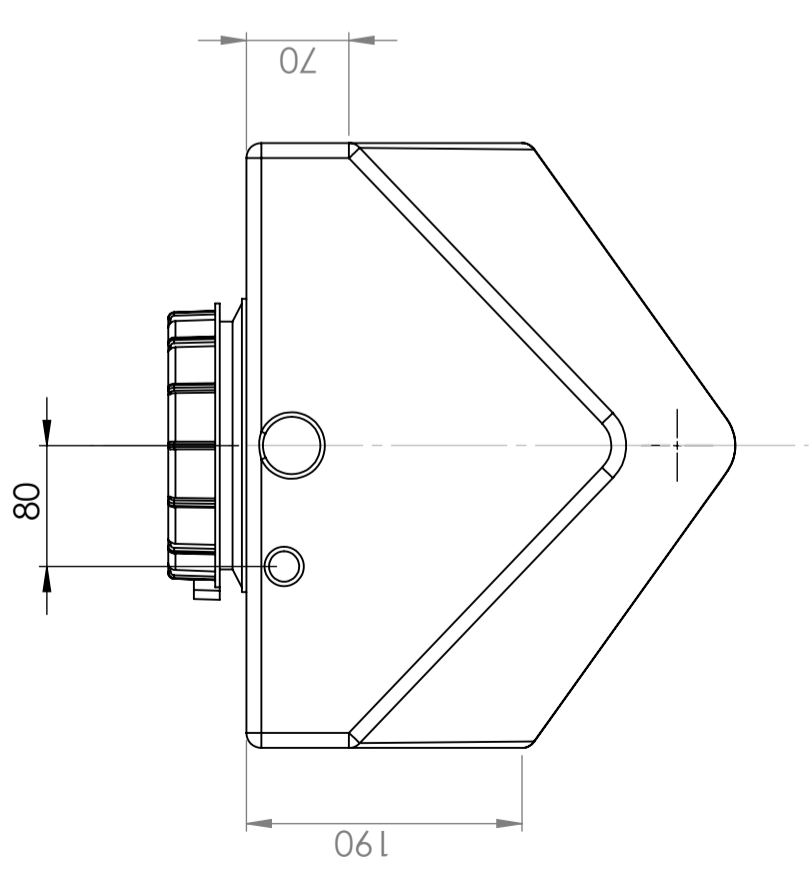
Wide
temperature
range



Suitable for
food contact



Easy to clean



This drawing and design is the property of CIPax. Copying and distribution of the drawing or any contents is prohibited without written permission from authorised personal at CIPax

Generella toleranser om ej annat anges på ritning	Tillåtna avvikelser för längdbasmåttområde			
General tolerances if not other stated on drawing	Permissible deviations for basic length size range			
	0-20	>20-75	>75-150	>150-300
	± 0,5 mm	± 1 mm	± 1,5 mm	± 1,3 %
				>300 ± 1 %



Vattentank 40 L
Rittningsnummer: 40033