

CPX Safety bund <200L

Safety bund for container up to 200L. For containers 14010, 14015 and 14020.

Please note, the tank in the safety bund in the picture is just an example. Several tanks can fit in the same safety bund, so some will fit completely in the bunding, while others will have the upper part of the tank above the bund. Check the dimensions of the selected tank.


Art.nr: 10156



Requires single door



Approximate size

Specifications	
Material	PE
Shape	Cylindrical
Bottom shape	Straight
Color	Natural
Volume (L)	200
Height (mm)	695
Diameter (mm)	640
Surface area (m2)	0.45
Weight (kg)	20
Tollstatistical code	3925100000
GTIN	7090046760498
Delivery packaging	Delivery on pallet
Recycling	 HDPE

Characteristics



Customizable containers



Recyclable



Wide temperature range



Chemical resistance



Leak test



Logistics solutions

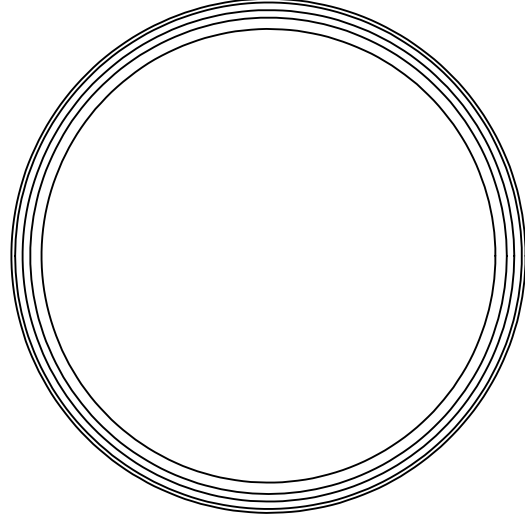
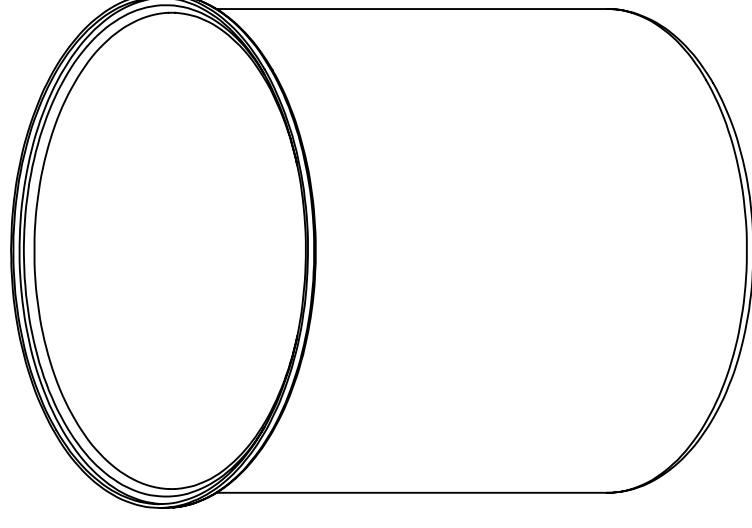
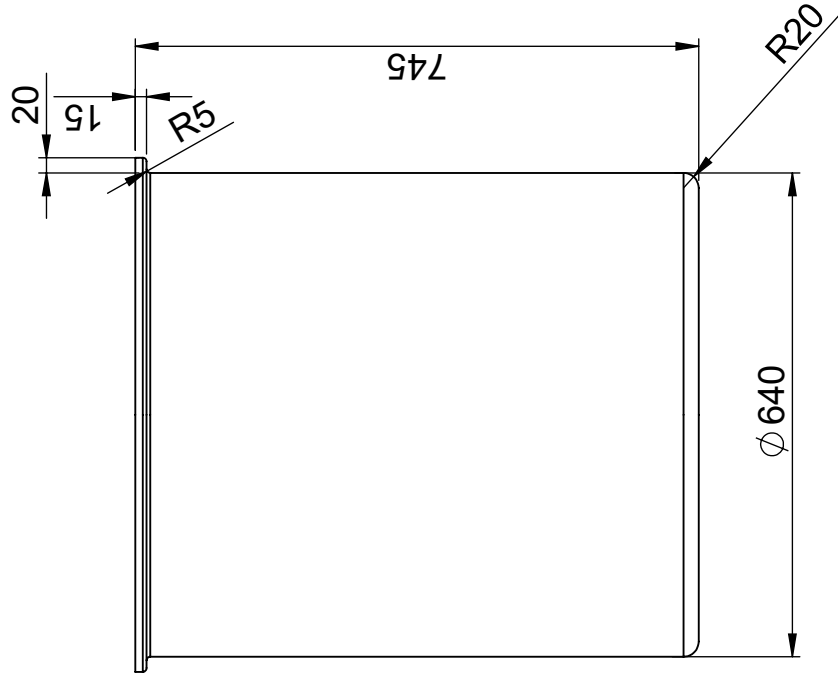


Suitable for food contact



Easy to clean

Ändrings Nr	Ändringens art / Ändringsmeddelande	Godkänd av	Datum
1	Height change: 695 mm -> 745 mm	KAMA	2023-02-10



Avsedd för art:
 10151
 10201
 14010
 14020

Generella toleranser om ej annat anges på ritning	Tillåtna avvikelser för längdbasmåttområde						
General tolerances if not other stated on drawing	Permissible deviations for basic length size range						
	0-20	$\pm 0,5 \text{ mm}$	$\pm 1 \text{ mm}$	$\pm 1,5 \text{ mm}$	$\pm 1,3 \text{ \%}$	>300	$\pm 1 \text{ \%}$

Konstruerad av	Granskad av	Godkänd av - datum	Generell tolerans SS-ISO 2768-1	Generell Ytjämnhet, Ra	Vyplacering	Skala
SE	SE	SE - 2005-06-20				1:10
Ägare 						
Titel/Benämning Invallning 10156						
Ritningsnummer S3-2747						
Utgåva 1(1)						