




CPX Container 208L cylindrical

The containers are made in a single piece with excellent chemical and corrosion resistance and used for the application of mixing, dosing and storing. The conical bottom gives optimal flow and complete emptying. Molded 1½" bottom connection as standard. The containers can be supplied with pre-installed connection and accessories as per request.

Art.nr: 25007

Specifications	
Material	PE
Shape	Cylindrical
Bottom shape	Conical
Lid type	
Color	Natural
Volume (L)	208
Height (mm)	1070
Diameter (mm)	595
Surface area (m2)	0.38
Weight (kg)	25
Tare weight (max kg/l)	1.2
Recycling	 HDPE

Characteristics



Customizable
containers



Recyclable



Wide
temperature
range



Chemical
resistance



Leak test



Logistics
solutions



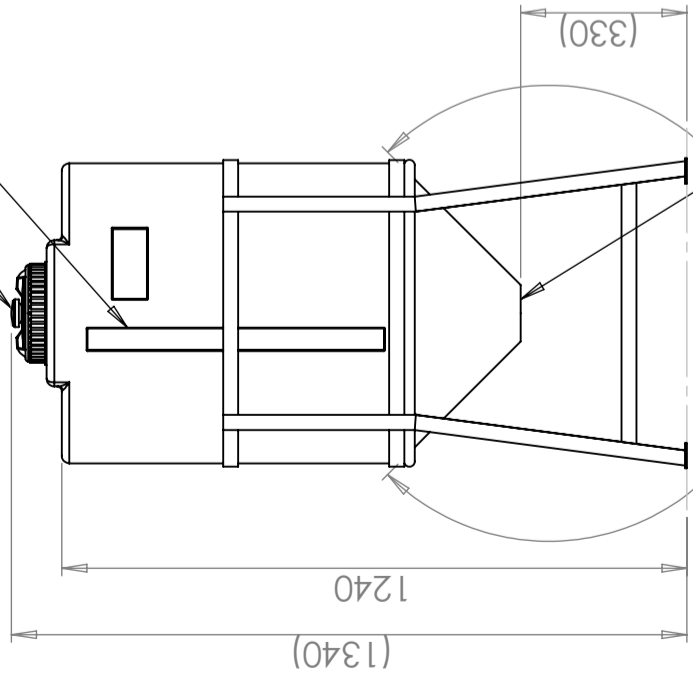
Suitable for
food contact



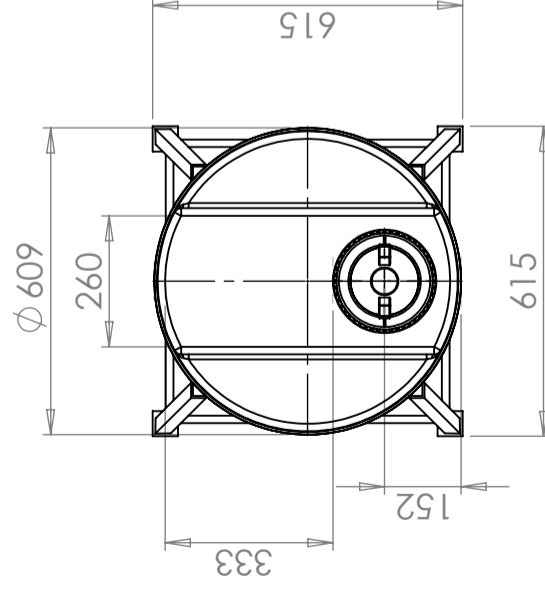
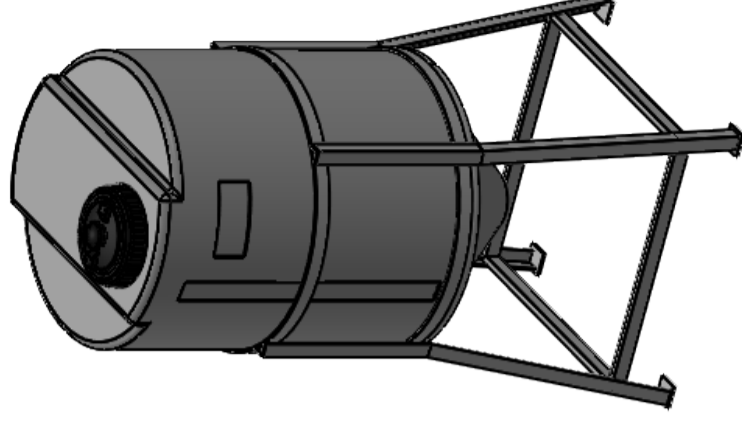
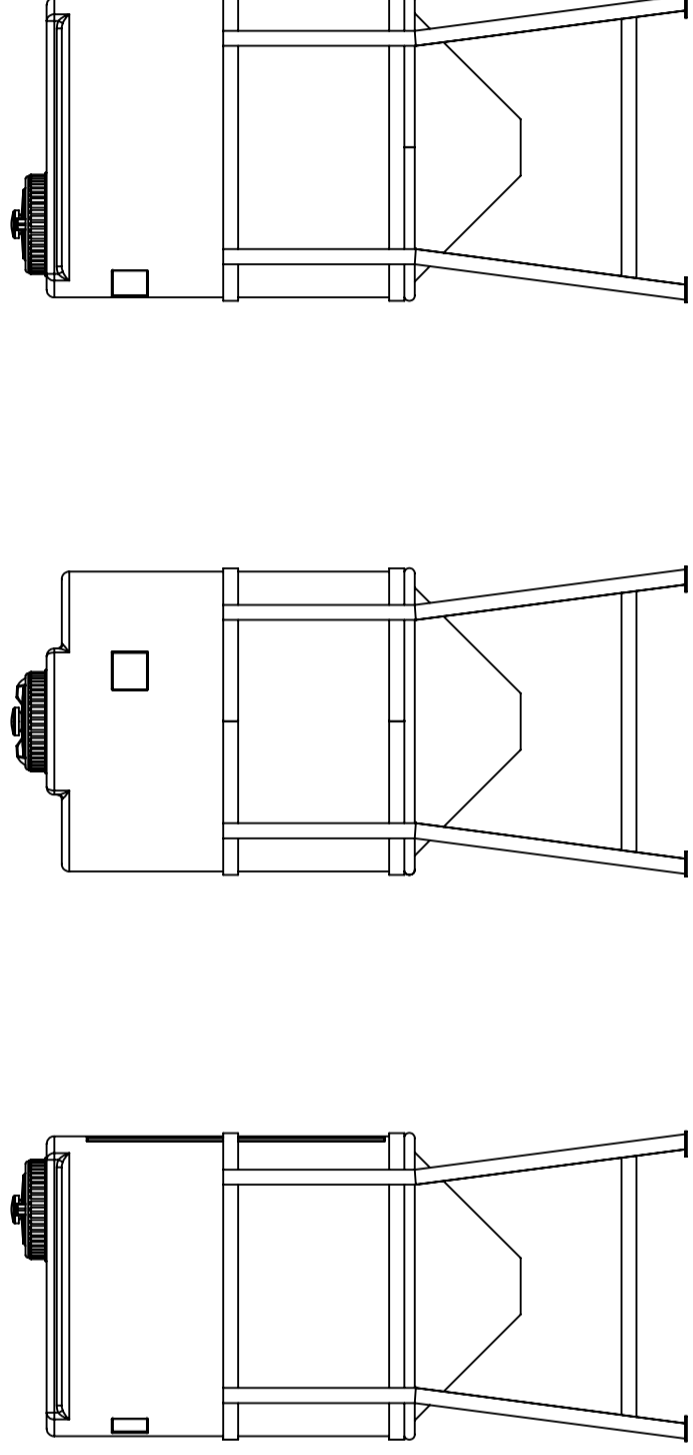
Easy to clean

Lock Ø150mm med ventilation/
Lid Ø150mm with ventilation

Nivåskala/
Level scale



Valbar utgång/
Choosable outlet



This drawing and design is the property of CIPax.
Copying and distribution of the drawing or any contents
is prohibited without written permission from authorised
personal at CIPax

Revision

Godkänd

Datum

Ändringsmeddelande

REV.

Tank: PE, naturell/Tank: PE, Neutral
Stativ: Stål, pulverlackat mörkgrått/Stand: Steel, powder coated dark grey

Konstruerad av JA	Granskad av MB	Godkänd av - datum JA 2020-03-13	Generell Ytjämnhet, Ra	Vyplacering	Skala 1:15
Titel/Benämning CPX Behållare 208L cylindrisk			Generell tolerans SS-ISO 2768-1	Utgåva A	Blad 1(1)
Ägare CIPAX			Ritningsnummer 25007		

Generella toleranser om ej annat anges på ritning	Tillåtna avvikelser för längdbasmåttområde. Gäller + 20°C		
General tolerances if not other stated on drawing	Permissible deviations for basic length size range. Be valid + 20°C		
± 0,5 mm	± 1 mm	± 1,5 mm	± 1,3 %
> 75-150	> 150-300	> 300	> 1 %