




## CPX Container 650L cylindrical

The containers are made in a single piece with excellent chemical and corrosion resistance and used for the application of mixing, dosing and storing. The conical bottom gives optimal flow and complete emptying. Molded 1½" bottom connection as standard. The containers can be supplied with pre-installed connection and accessories as per request.

Art.nr: 25009

Specifications	
Material	PE
Shape	Cylindrical
Bottom shape	Conical
Lid type	
Color	Natural
Volume (L)	650
Height (mm)	1110
Diameter (mm)	1210
Surface area (m2)	0.87
Weight (kg)	70
Tare weight (max kg/l)	1.2
Recycling	

## Characteristics



Customizable  
containers



Recyclable



Wide  
temperature  
range



Chemical  
resistance



Leak test



Logistics  
solutions



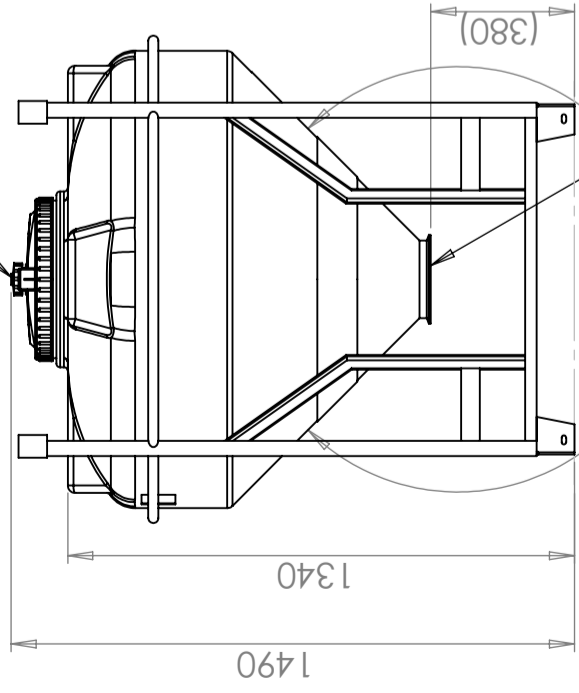
Suitable for  
food contact



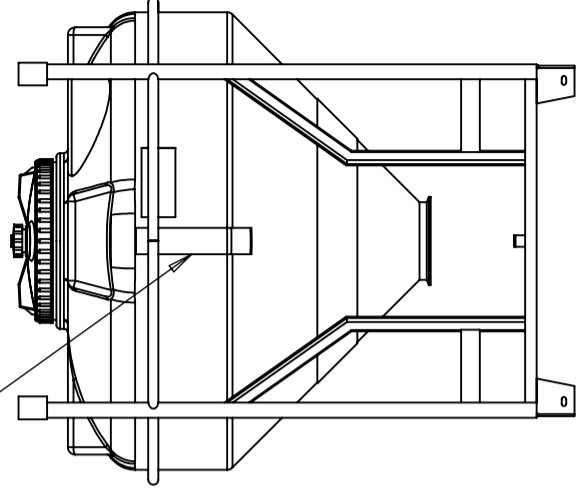
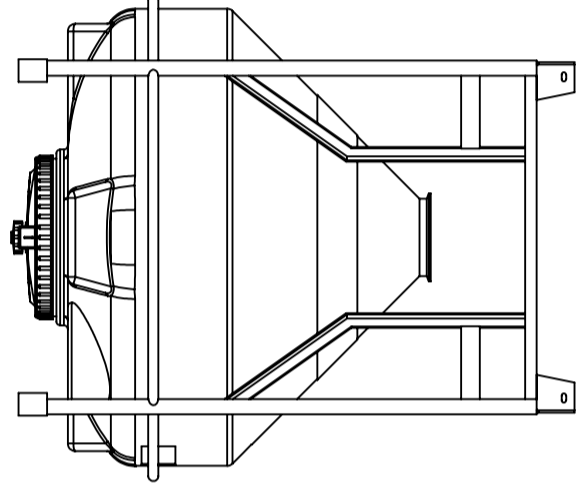
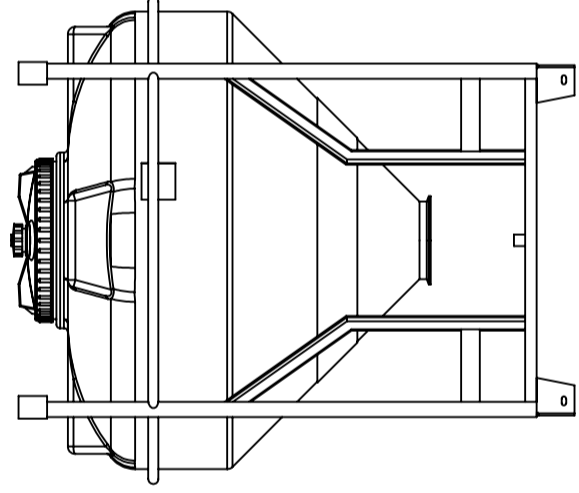
Easy to clean

Revision		Godkänd	
REV.	Ändringsmeddelande	Datum	

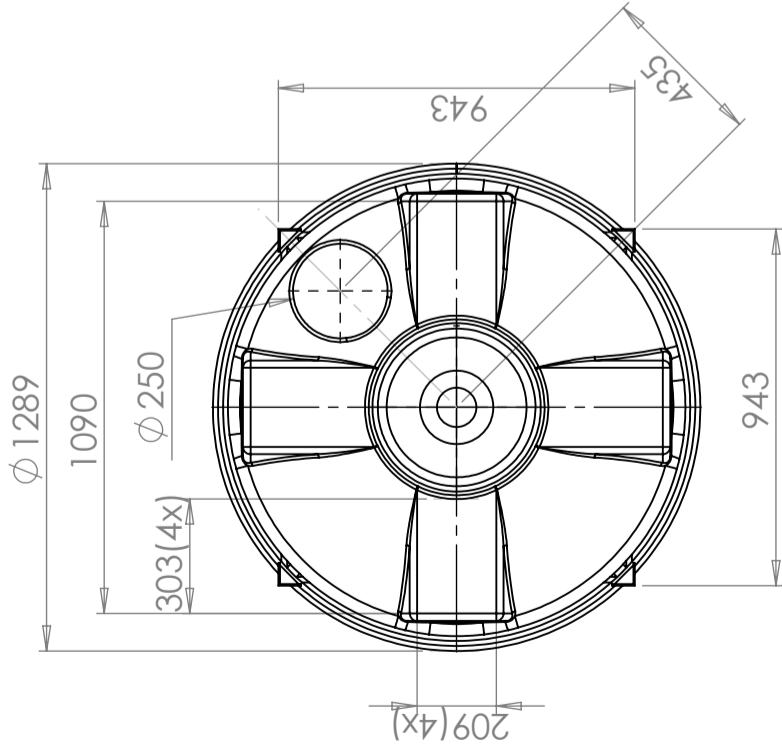
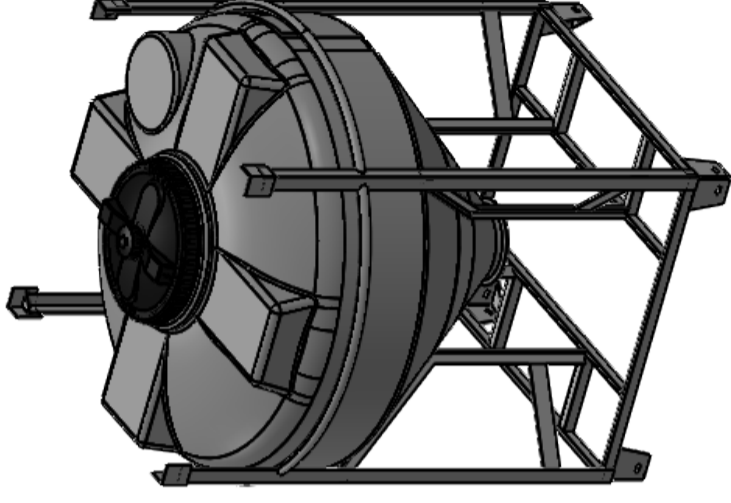
Lock Ø370mm med ventilation/  
 Lid Ø370mm with ventilation



Valbar utgång/  
 Choosable outlet



Nivåskala/  
 Level Scale



Tank: PE, naturell/Tank:PE, Neutral  
 Stativ: Stål, pulverlackat mörkgrått/Stand: Steel, powder coated dark grey

Konstruerad av <b>JA</b>	Granskad av <b>MB</b>	Godkänd av - datum <b>JA 2020-03-16</b>	Generell tolerans SS-ISO 2768-1	Ytjämnhet, Ra	Vyplacering 	Skala <b>1:20</b>
Titel/Benämning <b>CPX Behållare 650L cylindrisk</b>			Ritningsnummer <b>25009</b>		Utgåva <b>A</b>	Blad <b>1(1)</b>

Generella toleranser om ej annat anges på ritning	Tillåtna avvikelser för längdbasområde. Gäller + 20°C		
General tolerances if not other stated on drawing	0-20	>20-75	>75-150
	± 0,5 mm	± 1 mm	± 1,3 %
		± 1,5 mm	± 1 %
			>300 ± 1 %