




CPX Container 95L cylindrical

The containers are made in a single piece with excellent chemical and corrosion resistance and used for the application of mixing, dosing and storing. The conical bottom gives optimal flow and complete emptying. Molded 1½" bottom connection as standard. The containers can be supplied with pre-installed connection and accessories as per request.

Art.nr: 25014

Specifications	
Material	PE
Shape	Cylindrical
Bottom shape	Conical
Lid type	
Color	Natural
Volume (L)	95
Height (mm)	870
Diameter (mm)	460
Surface area (m2)	0.23
Weight (kg)	18
Tare weight (max kg/l)	1.2
Recycling	 HDPE

Characteristics



Customizable containers



Recyclable



Wide temperature range



Chemical resistance



Leak test



Logistics solutions



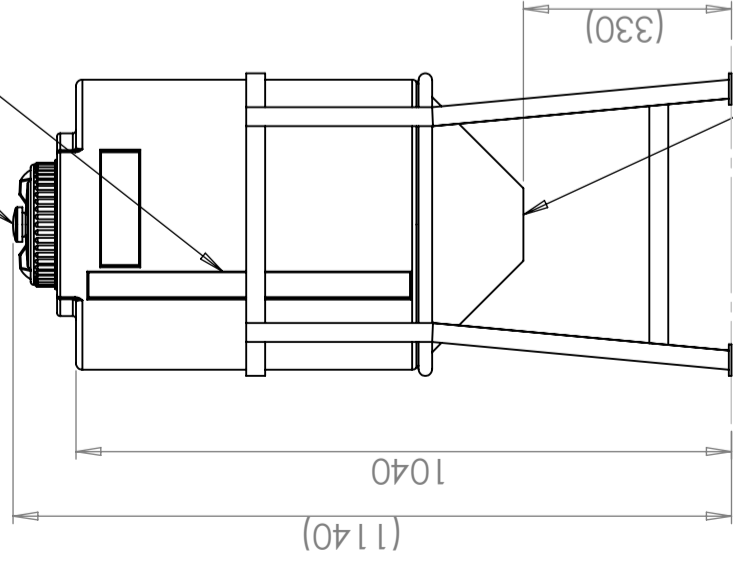
Suitable for food contact



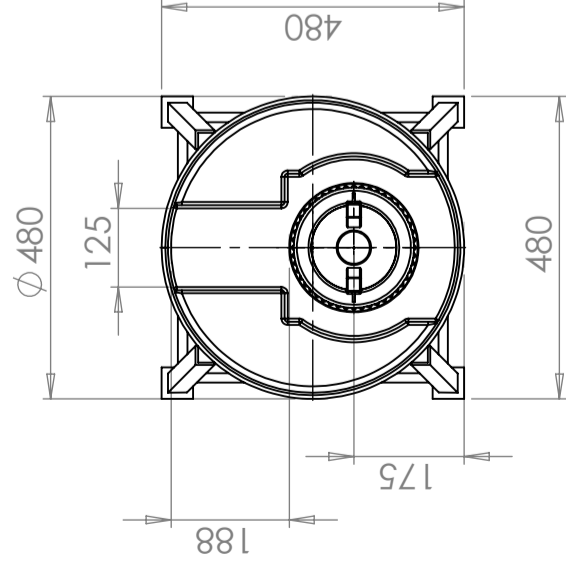
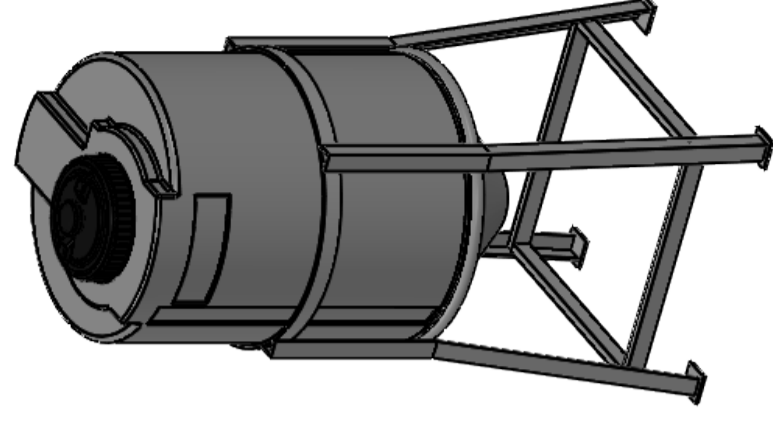
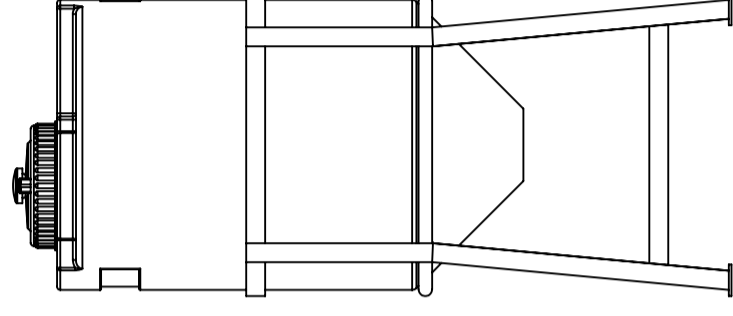
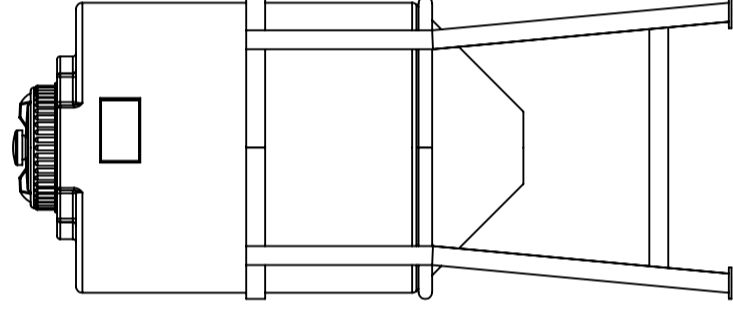
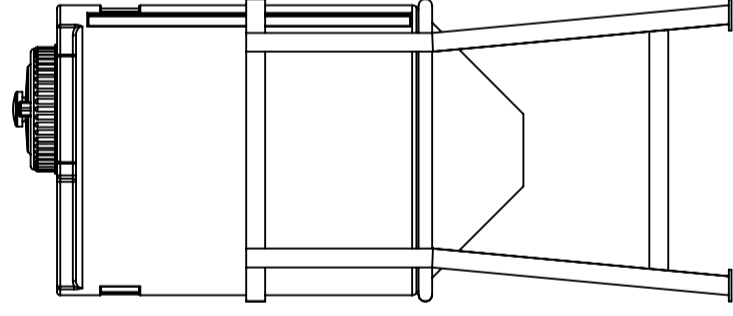
Easy to clean

Lock Ø150mm med ventilation/
Lid Ø150mm with ventilation

Nivåskala/Level scale



Valbar utgång/
Choosable outlet



Godkänd

Datum

Ändringsmeddelande

REV.

Revision

Tank: PE, naturell/Tank: PE, Neutral
Stativ: Stål, pulverlackat mörkgrått/Stand: Steel, powder coated dark grey

Konstruerad av JA	Granskad av MB	Godkänd av - datum - JA 2020-03-17	Generell Ytjämnhet, Ra SS-ISO 2768-1	Vyplacering 	Skala 1:12
Titel/Benämning CPX behållare 95L cylindrisk			Blad 1(1)		
Ägare CIPAX			Ritningsnummer 25014		
Utgåva A					

Generella toleranser om ej annat anges på ritning	Tillåtna avvikelser för längdmåttområde. Gäller + 20°C		
General tolerances if not other stated on drawing	Permissible deviations for basic length size range. Be valid + 20°C		
± 0,5 mm	< 20	> 20-75	> 75-150
± 1 mm	± 1 mm	± 1,5 mm	± 1,3 %
± 1 mm	± 1,3 %	± 1,5 mm	± 1 %

This drawing and design is the property of CIPax. Copying and distribution of the drawing or any contents is prohibited without written permission from authorised personal at CIPax