


## CPX Storage tank 7500L natural

Replaces earlier item 17004

Art.nr: 17009



Approximate size

| Specifications         |   |
|------------------------|---|
| Material               | PE  |
| Shape                  | Cylindrical   |
| Bottom shape           | Straight  |
| Design                 | Closed  |
| Lid type               |   |
| Color                  | Natural   |
| Volume (L)             | 7500  |
| Height (mm)            | 2380  |
| Diameter (mm)          | 2140  |
| Surface area (m2)      | 4.6   |
| Weight (kg)            | 260   |
| Tare weight (max kg/l) | 1.85  |
| Tollstatistical code   | 3925100000  |
| GTIN                   | 7090046760313   |
| Recycling              | <br>HDPE |

## Characteristics



Customizable containers



Recyclable



Wide temperature range



Chemical resistance



Leak test



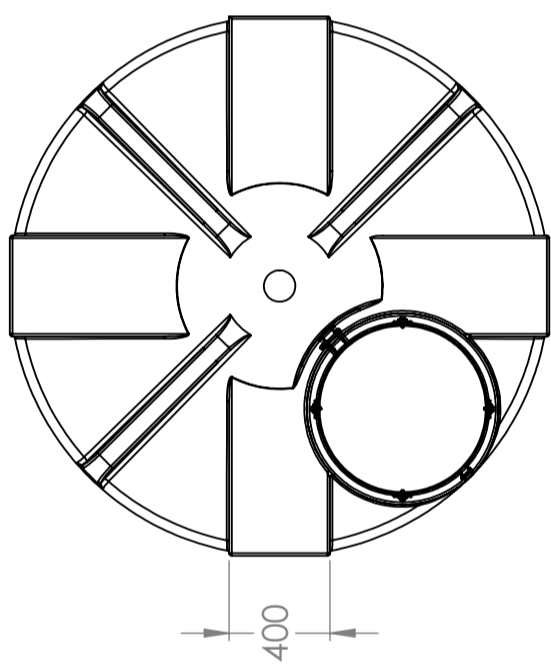
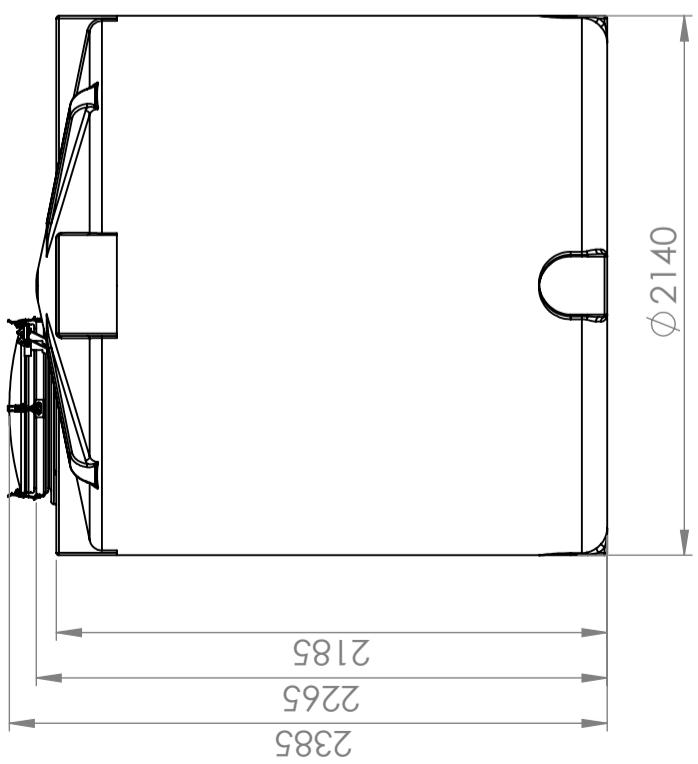
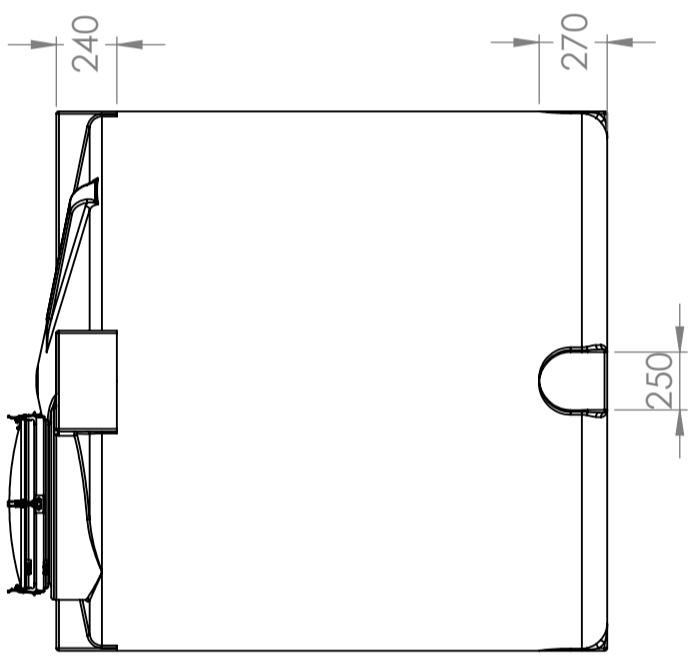
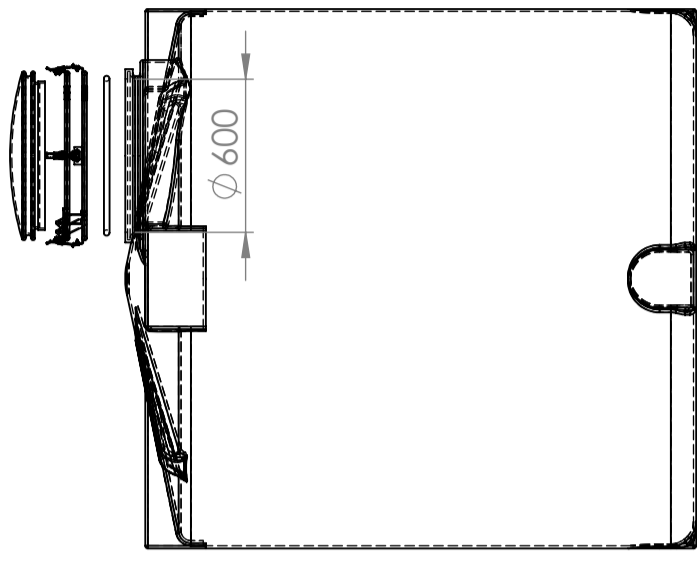
Logistics solutions



Suitable for food contact



Easy to clean



For tare weight 1.85 kg/dm<sup>3</sup>  
 \*Manhole requires additional 800mm of height to fully open

|                       |                    |                    |                           |            |       |
|-----------------------|--------------------|--------------------|---------------------------|------------|-------|
| Constructed by - date | Approved by - date | General Tolerances | Finish, Ra                | View       | Scale |
| GEP 15.03.2024        |                    | NS-ISO 2768-1      | PE                        |            | 1:30  |
| Owner                 | Title/Description  |                    |                           |            |       |
|                       | 17009              |                    | CPX storage 7500L Natural |            |       |
|                       | Drawing number     |                    | Revision                  | Sheet size | Sheet |
|                       | 1443 - 314         |                    |                           | A3         | 1(2)  |

|  |  |        |          |
|--|--|--------|----------|
| Generelle toleranser om ikke annet er oppgitt på tegning | Tilatte avvik for måleområde. Gjelder ved +20° C                 |        |          |
| General tolerances if not other stated on drawing        | Permissible deviations for basic length size range. Valid +20° C |        |          |
|  | 0-20   | >20-75 | >75-150  |
|  | ±0.5mm   | ±1mm   | ±1.5mm   |
|  |  |        | >150-300 |
|  |  |        | ±1.3%    |
|  |  |        | >300     |
|  |  |        | ±1%      |

