

## CPX Storage tank 10000L black




The tank has a 600 mm O-ring sealed inspection hatch attached to the tank with a painted tubular stand. There are a total of four flat mounting surfaces on the top of the tank and its lower side. The tank is completed as necessary with a safety bund and suitable connections. For tare weight 1.2 kg/dm<sup>3</sup>.

Art.nr: 18010



Approximate size

Specifications	
Material	PE
Shape	Cylindrical
Bottom shape	Straight
Design	Closed
Lid type	
Color	Black
Volume (L)	10000
Height (mm)	3285
Diameter (mm)	2140
Surface area (m <sup>2</sup> )	4.6
Weight (kg)	290
Tare weight (max kg/l)	1.2
Tollstatistical code	3925100000
Recycling	 HDPE

## Characteristics



Customizable containers



Recyclable



Wide temperature range



Chemical resistance



Leak test



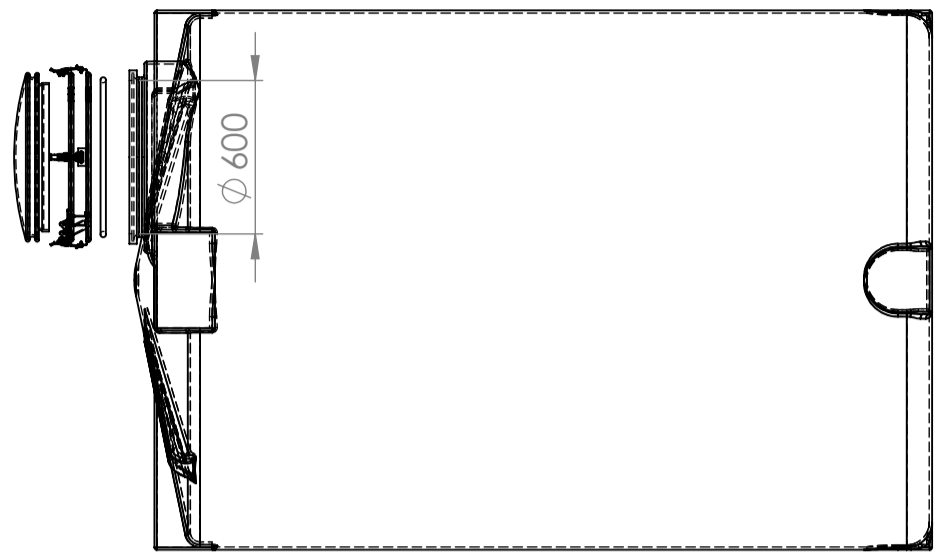
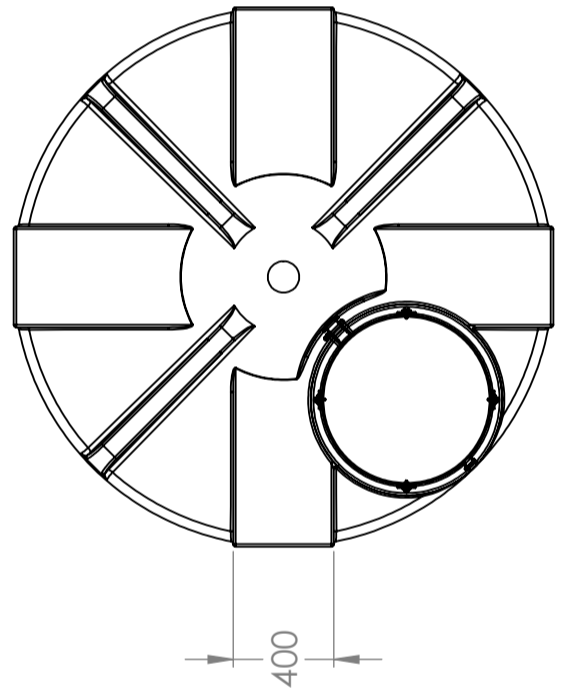
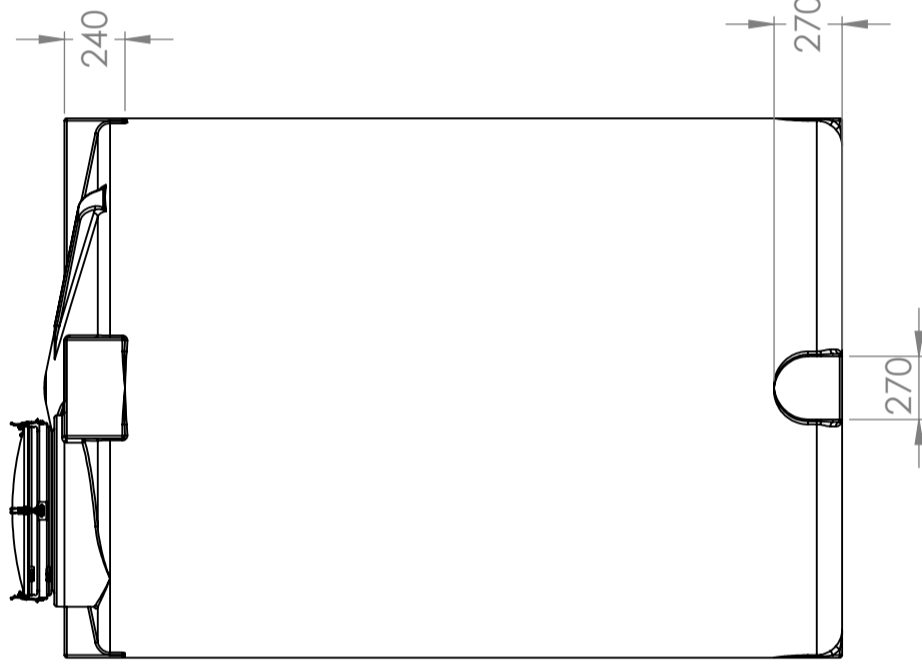
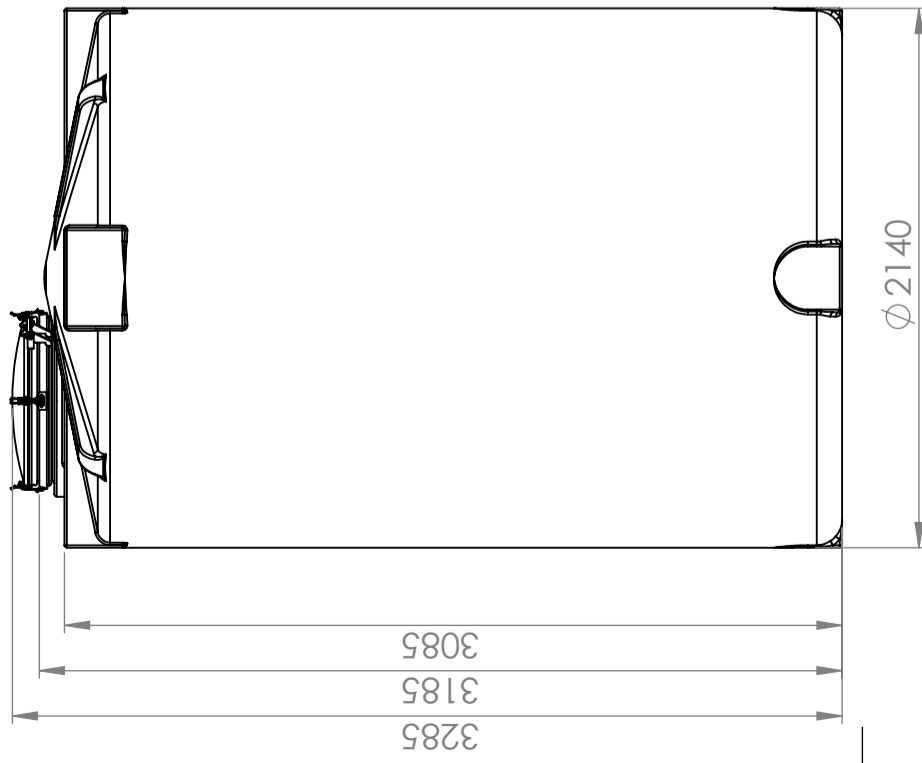
Logistics solutions



Suitable for food contact



Easy to clean



For tare weight 1.2 kg/dm<sup>3</sup>  
 \*Manhole requires additional 800mm of height to fully open

Generelle toleranser om ikke annet oppgitt på tegning	Tilatte avvik for måleområde. Gjelder ved +20°C			
General tolerances if not other stated on drawing	Permissible deviations for basic length size range. Valid +20°C			
	0-20	>20-75	>75-150	>150-300
	±0.5mm	±1mm	±1.5mm	±1.5%
				±1%

Constructed by - date	Evaluated by	Approved by - date	General Tolerances	Finish, Ra	View	Scale
GEP 14.03.2024			NS-ISO 2768-1	PE		1:30
Owner	Title/Description		Drawing number			
	18010		CPX storage 10000L black			
	1437 - 314		Revision		Sheet size	Sheet
					A3	1(2)

