

## CPX Storage tank 1800L black

Replaces earlier item 12001 and 12002.

Art.nr: 18005



Requires double  
door



Approximate size

### Specifications

Material	PE
Shape	Cylindrical
Bottom shape	Straight
Design	Closed
Lid type	
Color	Black
Volume (L)	1800
Height (mm)	1585
Diameter (mm)	1340
Surface area (m2)	1.85
Weight (kg)	70
Tare weight (max kg/l)	1.85
Tollstatistical code	3925100000

Recycling



### Characteristics



Customizable  
containers



Recyclable



Wide  
temperature  
range



Chemical  
resistance



Leak test



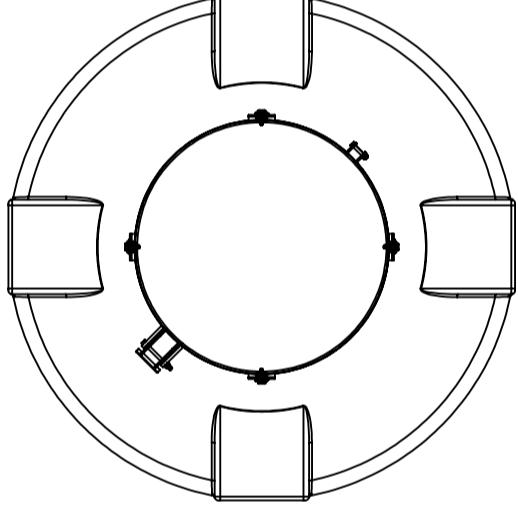
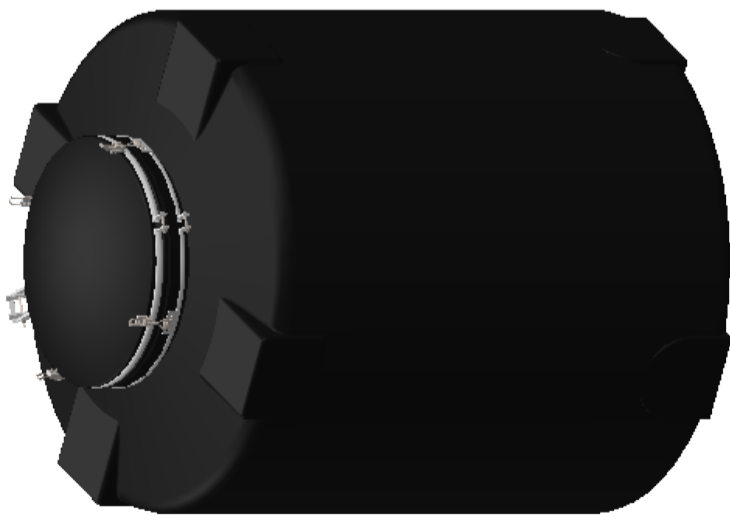
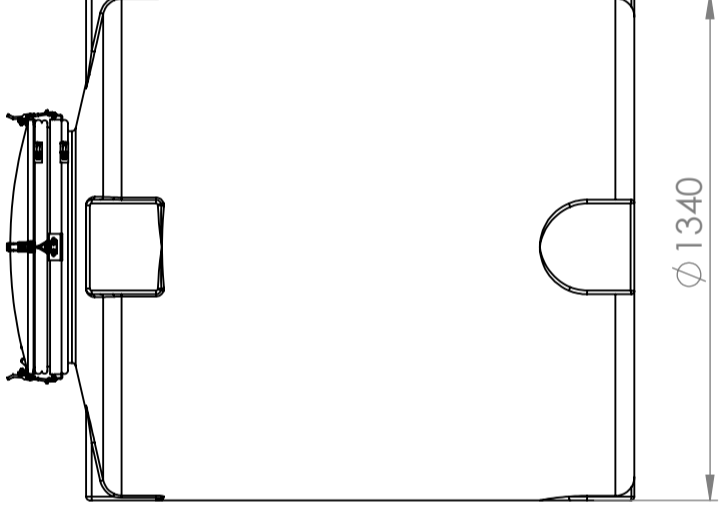
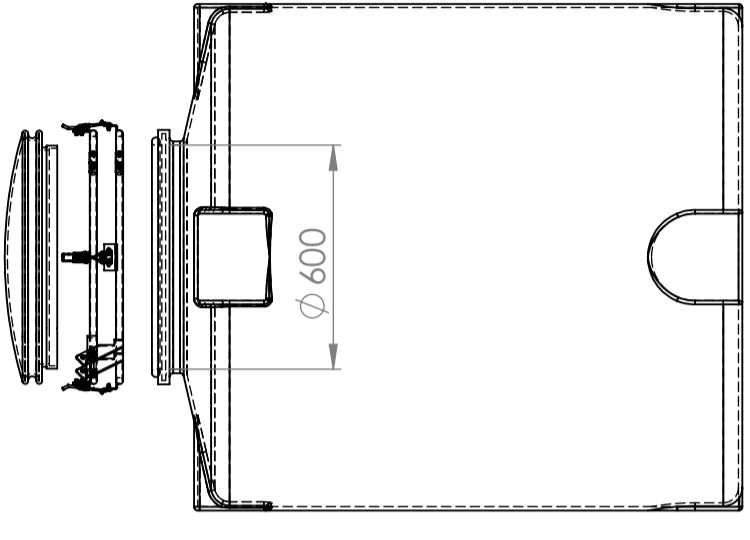
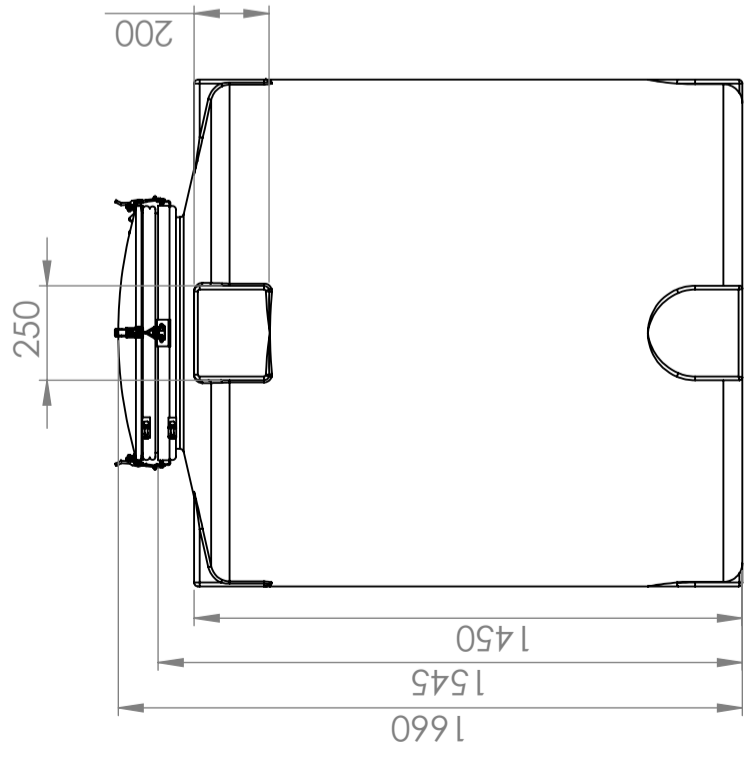
Logistics  
solutions



Suitable for  
food contact



Easy to clean



For tare weight 1.85 kg/dm<sup>3</sup>

\*Manhole requires 800mm space to fully open compared to maximum height.

Generelle toleranser om ikke annet oppgitt på tegning				Tilatte avvik for måleområde. Gjelder ved +20°C			
General tolerances if not other stated on drawing				Permissible deviations for basic length size range. Valid +20°C			
0-20	>20-75	>75-150	>150-300	>300			
±0.5mm	±1mm	±1.5mm	±1.3%	±1%			

Constructed by - date	Evaluated by	Approved by - date	General Tolerances	Finish, Ra	View	Scale
GEP 17.01.2024			NS-ISO 2768-1	PE		1:20
Owner			Title/Description			
			18005 CPX Storage tank 1800L black			
			Drawing number		Revision	
			1425 - 314		A3	
					Sheet 1(2)	