

## CPX Storage tank 3000L natural



The tank has a 600 mm O-ring sealed inspection hatch attached to the tank with a painted tubular stand. There are a total of four flat mounting surfaces on the top of the tank and its lower side. The tank is completed as necessary with a safety bund and suitable connections. For tare weight 1.85 kg/dm<sup>3</sup>.


Art.nr: 13011



Requires double door



Approximate size

Specifications	
Material	PE
Shape	Cylindrical
Bottom shape	Straight
Design	Closed
Lid type	
Color	Natural
Volume (L)	3000
Height (mm)	2235
Diameter (mm)	1410
Surface area (m <sup>2</sup> )	2
Weight (kg)	105
Tare weight (max kg/l)	1.85
Tollstatistical code	3925100000
GTIN	7090046760306
Recycling	

## Characteristics



Customizable containers



Recyclable



Wide temperature range



Chemical resistance



Leak test



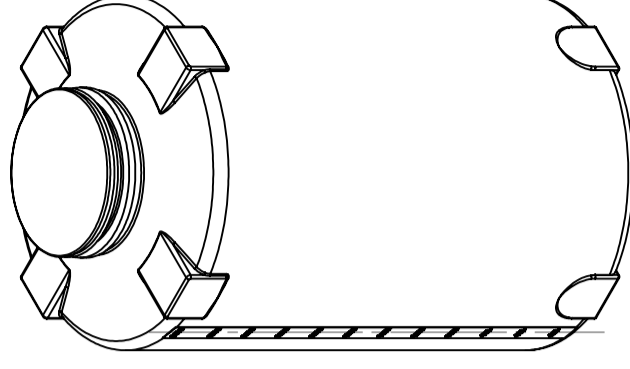
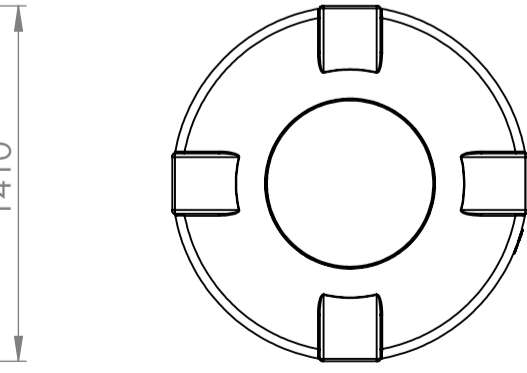
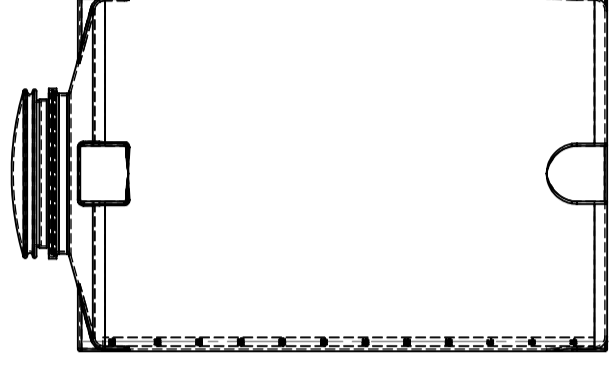
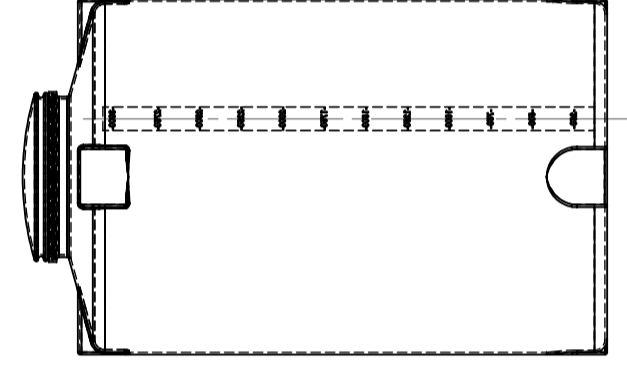
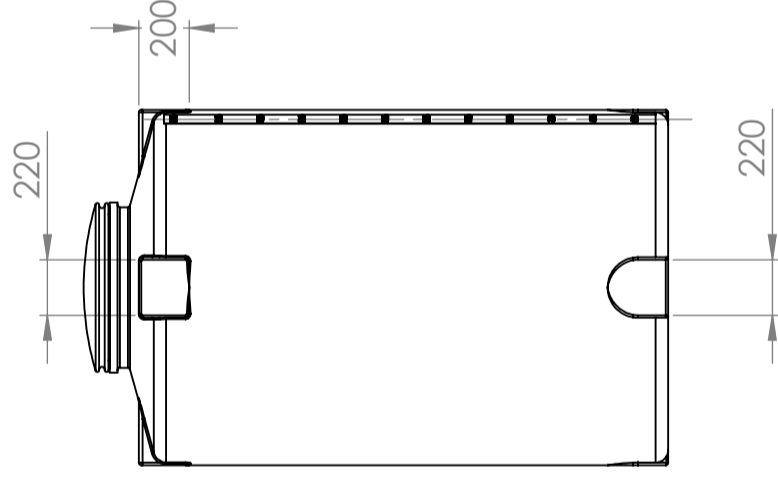
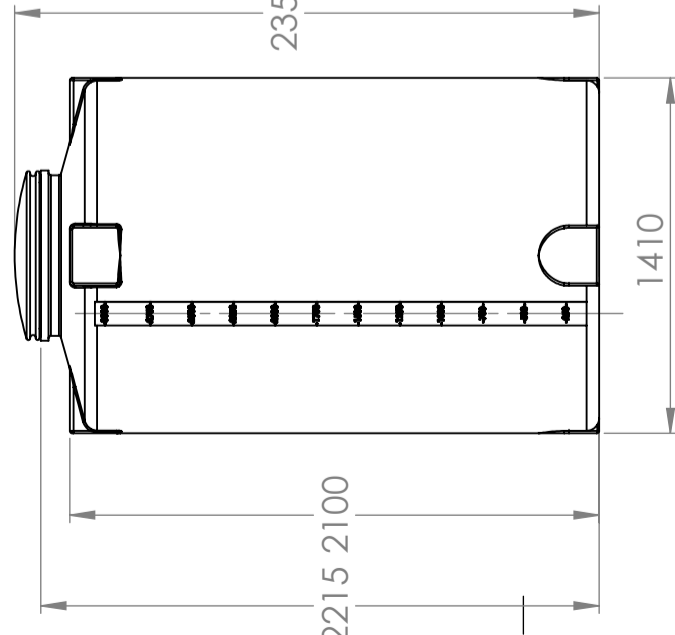
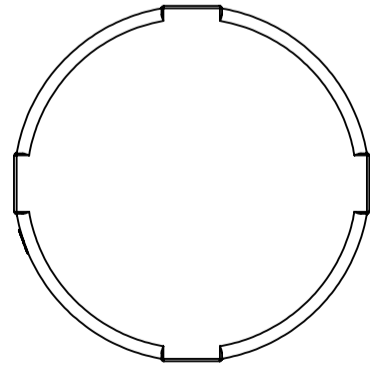
Logistics solutions



Suitable for food contact



Easy to clean



A

B

C

D

E

F

This drawing and design is the property of CIPAX.  
 Copying and distribution of the drawing or any contents  
 is prohibited without written permission from authorised personnel at CIPAX

Generelle toleranser om ikke annet oppgitt på tegning	Tilatte avvik for måleområdet. Gjelder ved +20°C			
General tolerances if not other stated on drawing	Permissible deviations for basic length size range. Valid +20°C			
	0-20	>20-75	>75-150	>150-300
	±0,5mm	±1mm	±1,5mm	±1,5mm
				>300
				±1%

13010 - CPX 3000 L -1,85 density Black  
 13011 - CPX 3000 L -1,85 density Nat



Titel/Description  
 13011 - CPX 3000L

Drawing number  
 1283 - 312

Revision  
 A3  
 Sheet  
 1(1)

Constructed by - date GEP 17.02.2020	Evaluated by	Approved by - date	General Tolerances NS-ISO 2768-1	Material LDPE	Finish, Ra	View	Scale 1:30
---	--------------	--------------------	-------------------------------------	------------------	------------	------	---------------

1

2

3

4

5

6

7

8