




CPX Storage tank 7500L black

The tank has a 600 mm O-ring sealed inspection hatch attached to the tank with a painted tubular stand. There are a total of four flat mounting surfaces on the top of the tank and its lower side. The tank is completed as necessary with a safety bund and suitable connections. For tare weight 1.85 kg/dm³.

Art.nr: 17008



Approximate size

Specifications	
Material	PE
Shape	Cylindrical
Bottom shape	Straight
Design	Closed
Lid type	
Color	Black
Volume (L)	7500
Height (mm)	2385
Diameter (mm)	2140
Surface area (m ²)	4.6
Weight (kg)	260
Tare weight (max kg/l)	1.85
Tollstatistical code	3925100000
Recycling	 HDPE

Characteristics



Customizable containers



Recyclable



Wide temperature range



Chemical resistance



Leak test



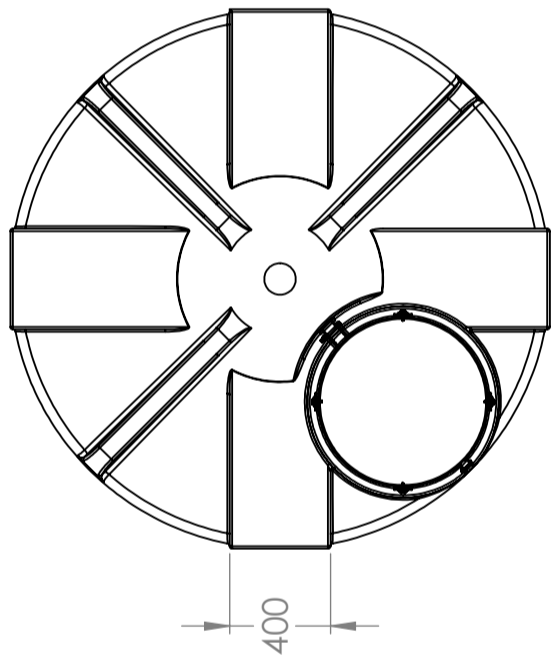
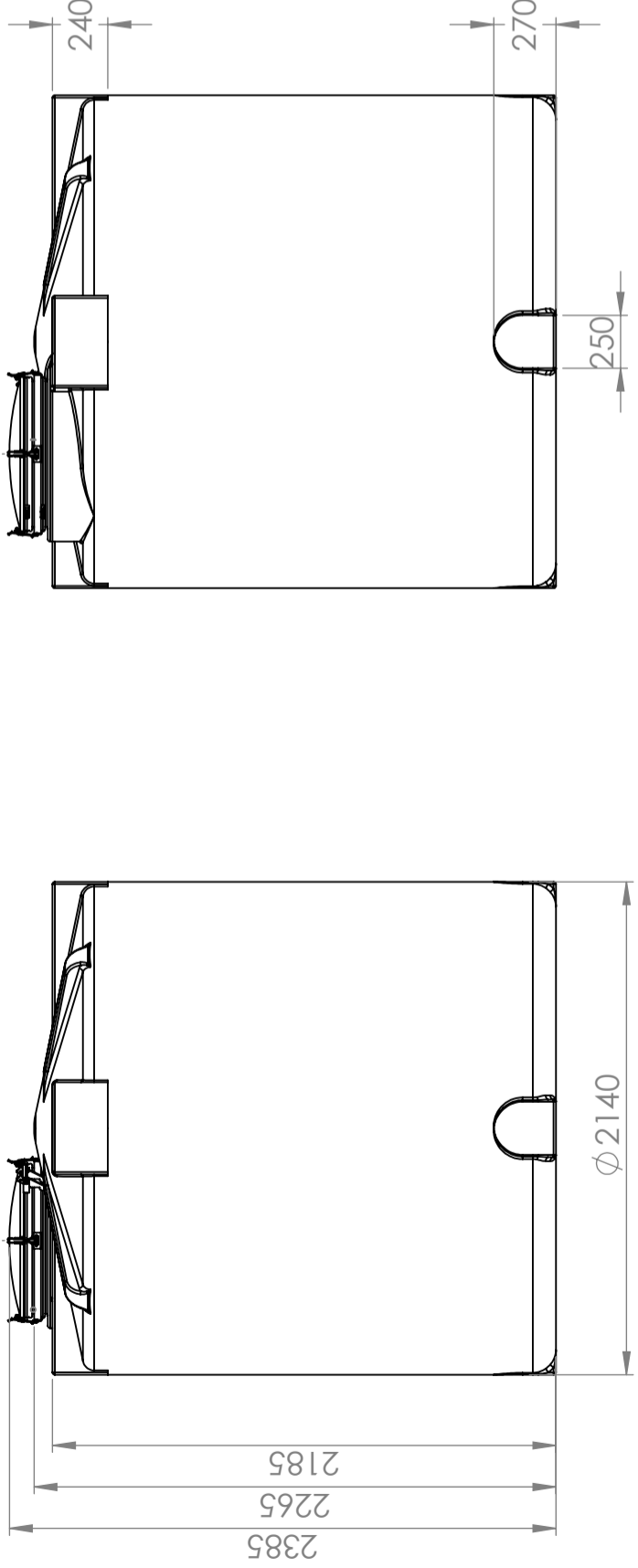
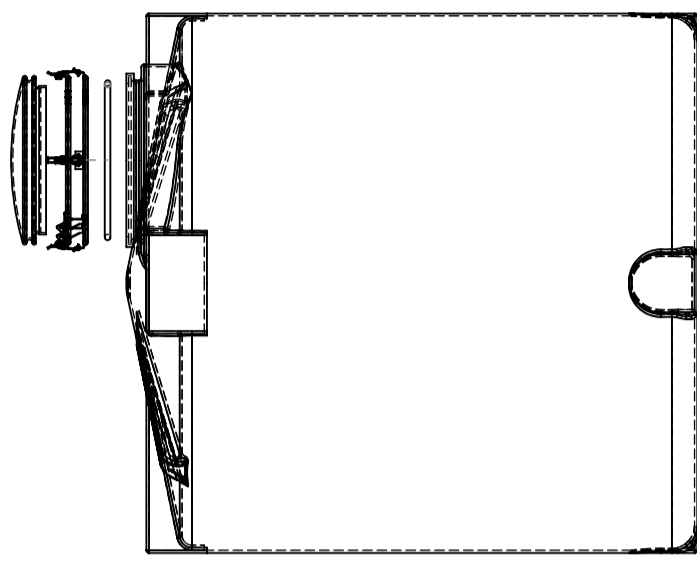
Logistics solutions



Suitable for food contact



Easy to clean



For tare weight 1.85 kg/dm³
 *Manhole requires additional 800mm of height to fully open

Constructed by - date	Approved by - date	General Tolerances	Finish, Ra	View	Scale
GEP 15.03.2024		NS-ISO 2768-1	PE		1:30
Owner		Title/Description		Sheet	
CIPAX		17008 CPX storage 10000L black		1(2)	
		Drawing number		Revision	
		1442 - 314		A3	

Generelle toleranser om ikke annet oppgitt på tegning	Tilatte avvik for måleområde. Gjelder ved +20° C		
General tolerances if not other stated on drawing	Permissible deviations for basic length size range. Valid +20° C		
	0-20	>20-75	>75-150
	±0.5mm	±1mm	±1.5mm
		±1.3%	±1%
		>150-300	>300
			±1%