




CPX Storage tank 15000L natural

För vätskor med densitet till 1,5

Art.nr: 15013



Approximate size

Specifications	
Material	PE
Shape	Cylindrical
Design	Closed
Lid type	
Color	Natural
Volume (L)	15000
Height (mm)	4770
Diameter (mm)	2140
Surface area (m ²)	4.6
Weight (kg)	630
Tare weight (max kg/l)	1.5
Tollstatistical code	3925100000
GTIN	7090046760351
Recycling	 HDPE

Characteristics



Customizable
containers



Recyclable



Wide
temperature
range



Chemical
resistance



Leak test



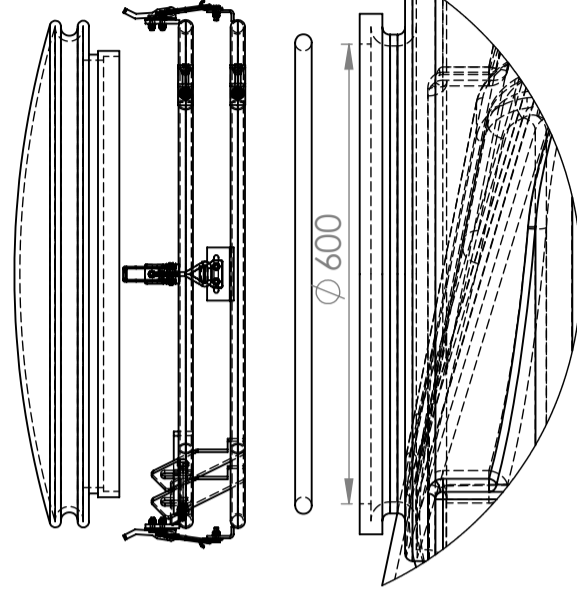
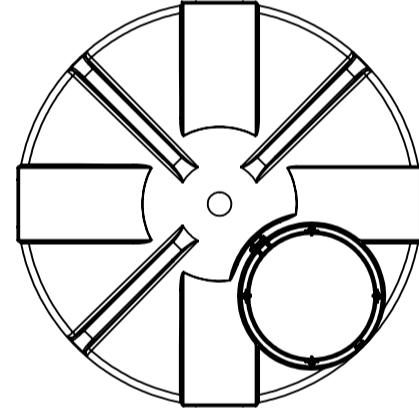
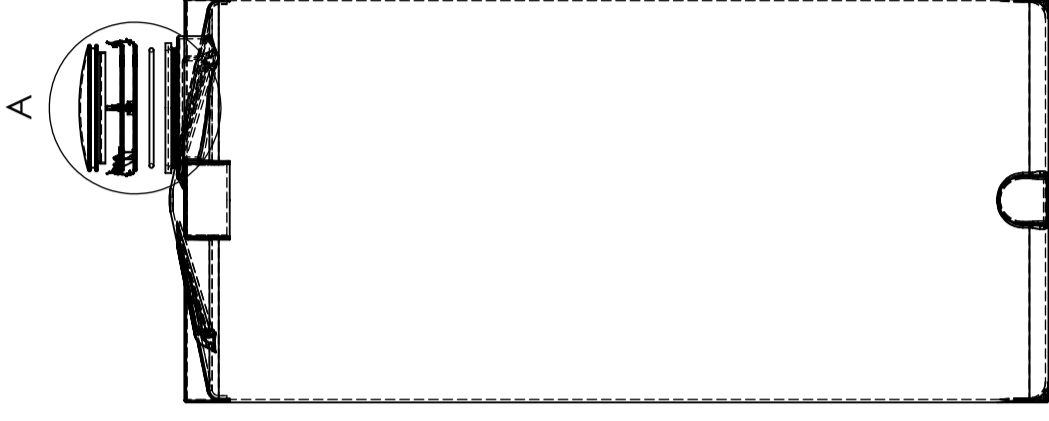
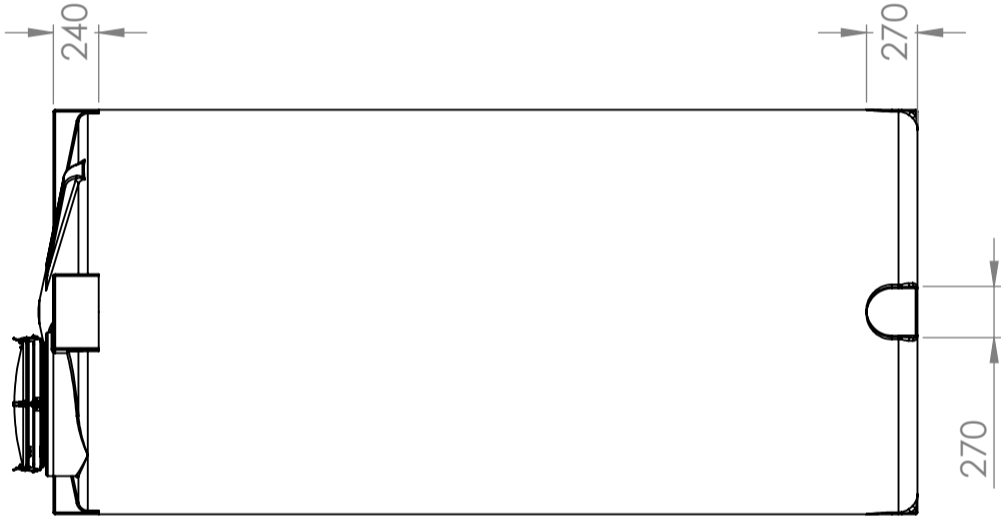
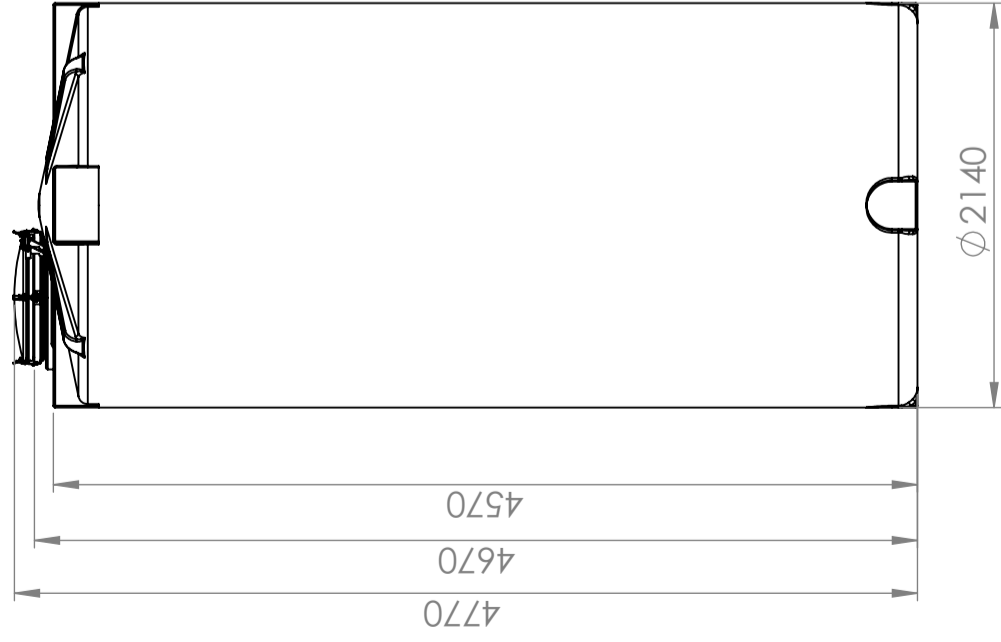
Logistics
solutions



Suitable for
food contact



Easy to clean



For tare weight 1.5 kg/dm³
 *Manhole requires additional 800mm of height to fully open

Generelle toleranser om ikke annet er oppgitt på tegning	Tilatte avvik for måleområde. Gjelder ved +20° C		
General tolerances if not other stated on drawing	Permissible deviations for basic length size range. Valid +20° C		
	0-20	>20-75	>75-150
	±0.5mm	±1mm	±1.5mm
		>150-300	>300
		±1.3%	±1%

Constructed by - date	Approved by - date	General Tolerances	Finish, Ra	View	Scale
GEP 18.03.2024		NS-ISO 2768-1	PE		1:40
Owner	Title/Description		Sheet		
	15013		CPX storage 15000L Natural		
	Drawing number		Revision		
	1448 - 314		A3		
			1(2)		

