

CPX Container 500L rectangular 2"

Transport container with metal frame - with 2" moulded in external thread. Container designed for slow moving liquids. When handling really slow products please contact us to find the right container. **Not UN-certified for ADR-goods.**

Art.nr: 40502



Requires single door



Approximate size

Specifications

Material	PE
Shape	Rectangular
Bottom shape	Conical
Design	Closed
Lid type	
Color	Natural
Volume (L)	500
Length (mm)	1200
Width (mm)	800
Height (mm)	1160
Surface area (m2)	0.96
Weight (kg)	70
Tare weight (max kg/l)	1.2
Tollstatistical code	3925100000

Recycling



Characteristics



Customizable containers



Recyclable



Wide temperature range



Chemical resistance



Leak test



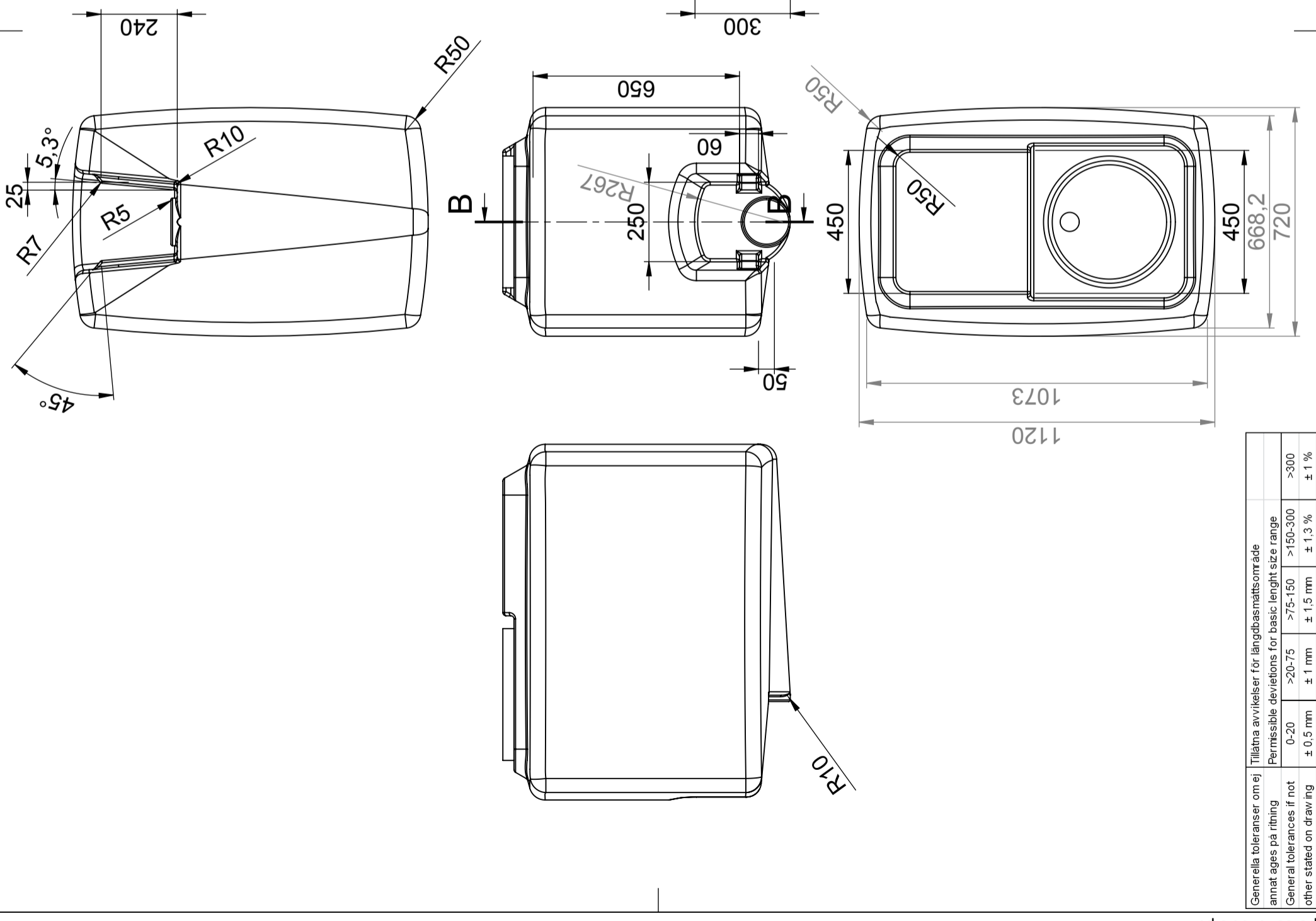
Logistics solutions



Suitable for food contact



Easy to clean



This drawing and design is the property of CIPAX. Copying and distribution of the drawing or any contents is prohibited without written permission from authorised personal at CIPAX

Generella toleranser om ej annat anges på ritning	Tillåtna avvikelser för längdbasmattningsområde
General tolerances if not other stated on drawing	Permissible deviations for basic length size range
0-20	$\pm 0.5 \text{ mm}$
>20-75	$\pm 1 \text{ mm}$
>75-150	$\pm 1.5 \text{ mm}$
>150-300	$\pm 1.3 \text{ %}$
>300	$\pm 1 \text{ %}$

Konstruerad av	SE	Granskad av	SE	Godkänd av - datum	SE - 2005-09-12	Generell tolerans	SS-ISO 2768-1	Generell Ytjämnhet, Ra	Skala	1:10
Titel/Benämning	Transp. Behållare 500 liter 40500									
Ägare	CIPAX									
Ritningsnummer	S3-2778									
Blad	1(1)									