



CPX Transport tank 500 L

Our innovative 500 litre transport tank is designed for shock-absorbing and stabilising liquids efficiently in all directions, making it ideal for a variety of applications. With the ability to be positioned both vertically and horizontally, it's flexible enough to fit most vehicles such as trucks, pick-ups, trailers, or boats. Its stability makes it perfect for connections, pumps, and powerful flows, while multiple tanks can be joined together to allow for larger volumes.

With a slim design of only 420mm in size, our transport tank is efficient in terms of space utilisation and passage through tight spaces. This makes it very suitable for storing liquids on boats and smaller vessels where it could contain drinking water, grey water or black water.

From portable irrigation systems and cleaning to use in agriculture and animal handling, our tank is a reliable partner. The transport tank is also perfect for fire fighting, de-icing or providing fresh water at events.

Art.nr: 21550




Requires single door



Approximate size

Specifications

Material	PE
Design	Closed
Lid type	150 mm O-ring sealed screw lid
Color	Natural
Volume (L)	500
Length (mm)	1740
Width (mm)	420
Height (mm)	1200
Weight (kg)	70
Tare weight (max kg/l)	1.2
Recycling	 HDPE

Characteristics



Customizable containers



Recyclable



Wide temperature range



Chemical resistance



Leak test

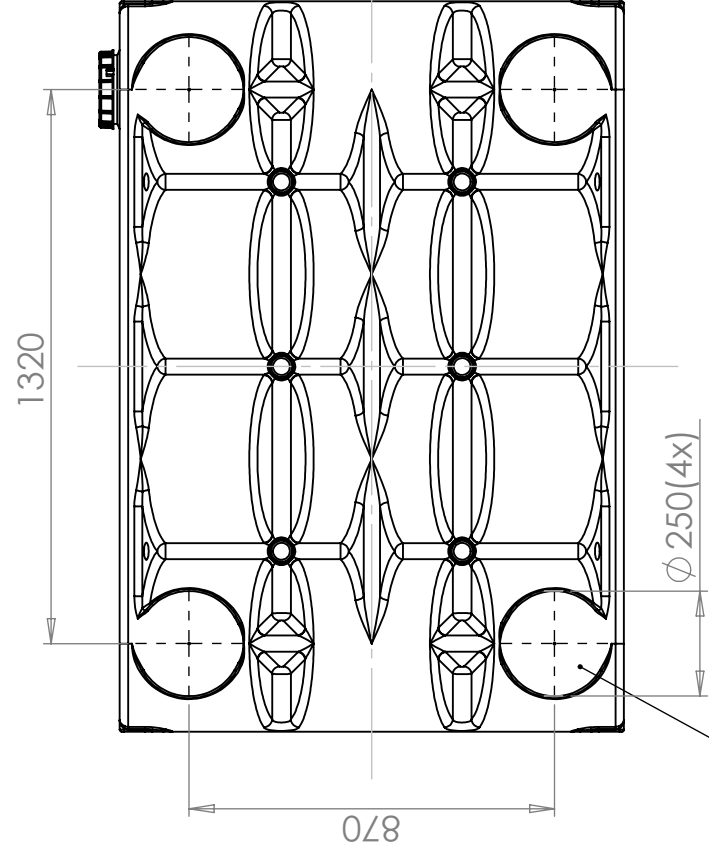
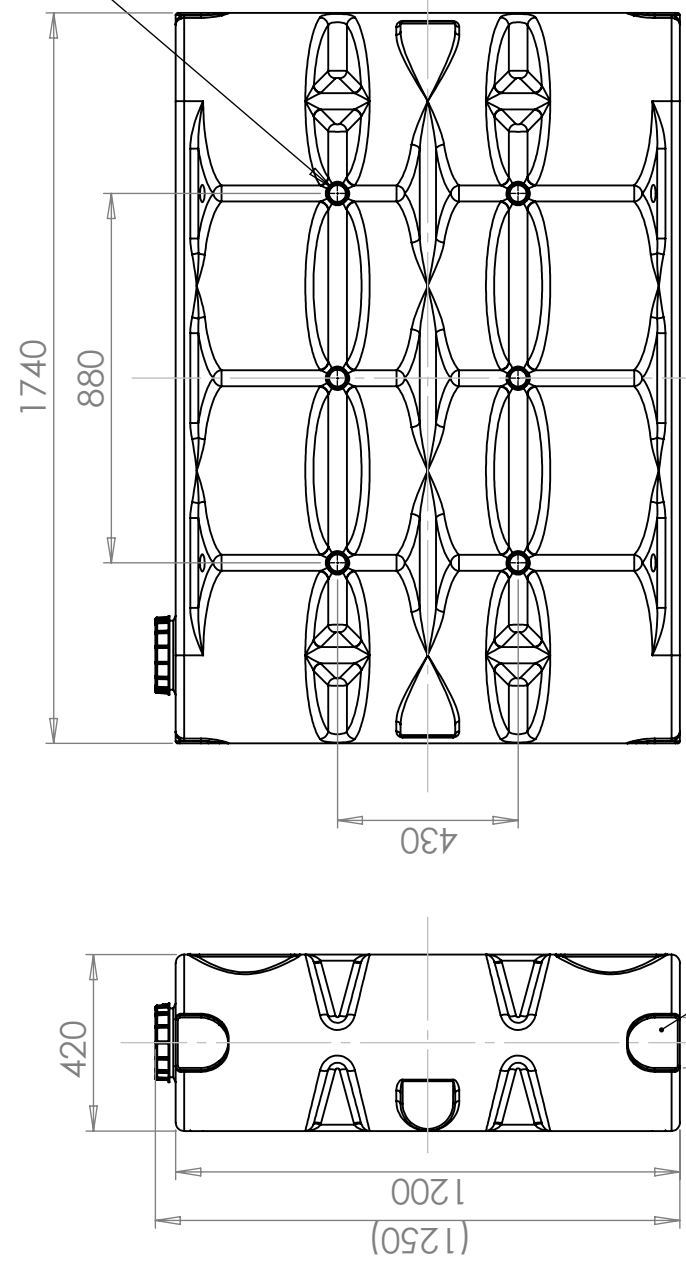
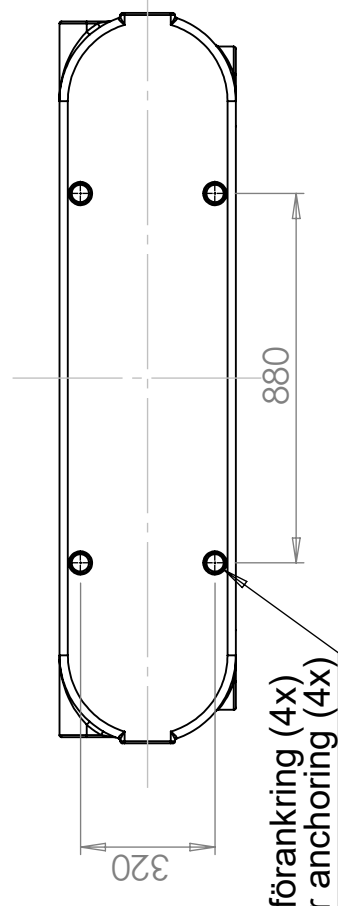


Logistics solutions



Suitable for food contact

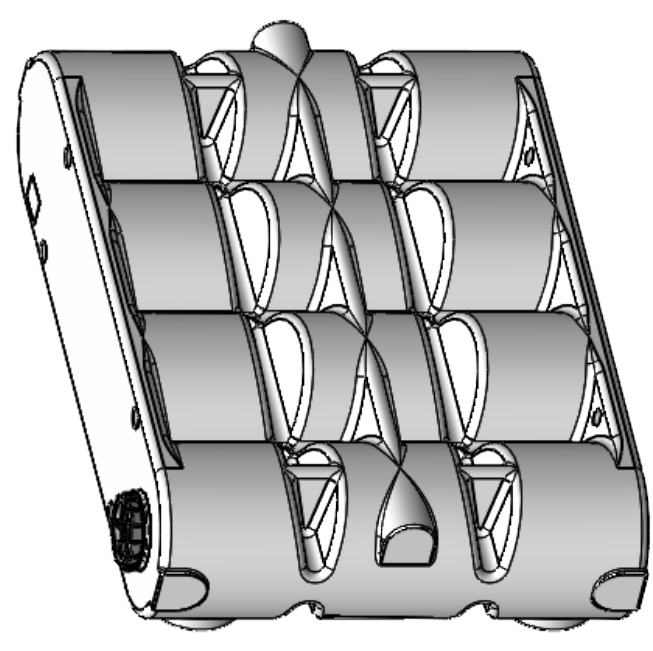
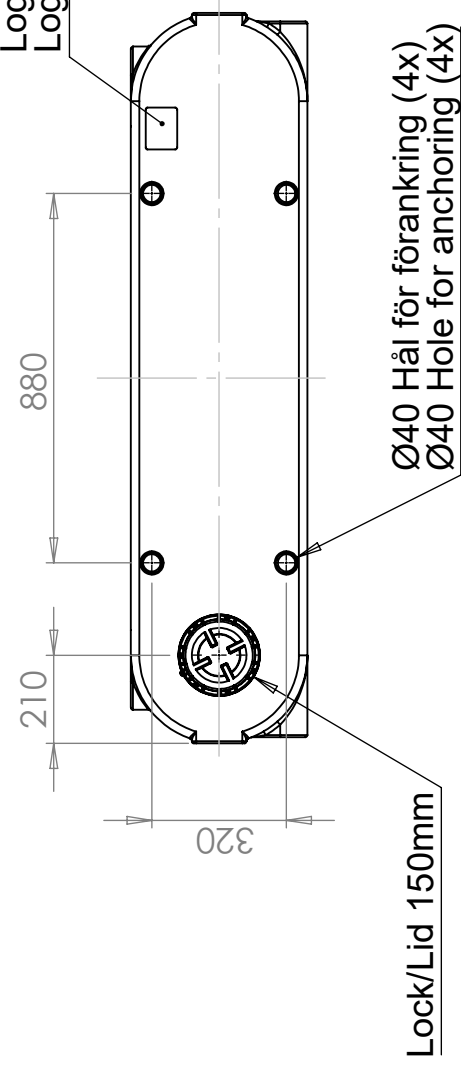
Revision	
REV.	Ändringsmeddelande
	Datum
	Godkänd



Yta för extra anslutningar (6x)
 Surface for optional connections (6x)

Yta för extra anslutningar alt. lock Ø220mm (4x)
 Surface for optional connections or lid Ø 220mm(4x)

Logo och datummärkning
 Logo and date mark



Konstruerad av	Granskad av	Godkänd av - datum	Generell tolerans SS-ISO 2768-1	Generell Ytjämnhet, Ra	Vyplacering	Skala
JA	FB	2024-06-17				1:18

Titel/Benämning	
Transport Tank 500L, Vertical Version	
Ritningsnummer	Blad
21550 Assembly	A
	1(1)

Generella toleranser om ej annat anges på ritning	Tillåtna avvikelser för längdbasområde. Gäller + 20°C		
General tolerances if not other stated on drawing	Permissible deviations for basic length size range. Be valid + 20°C		
	0-20	>20-75	>75-150
	± 0,5 mm	± 1 mm	± 1,5 mm
		± 1,3 %	± 1 %
			>300

