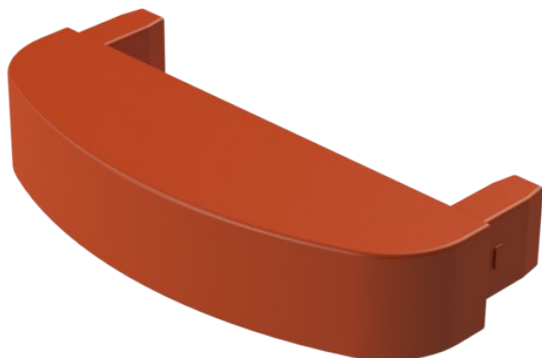



CPX Bumper for pipe 120x60

Art.nr: 30133



| Specifications | |
|----------------------|---------------------------------------------------------------------------------------------|
| Material | PE |
| Color | Orange |
| Width (mm) | 120 |
| Height (mm) | 60 |
| Tollstatistical code | 8907900000 |
| Recycling |  HDPE |

Characteristics



Customizable
containers



Recyclable



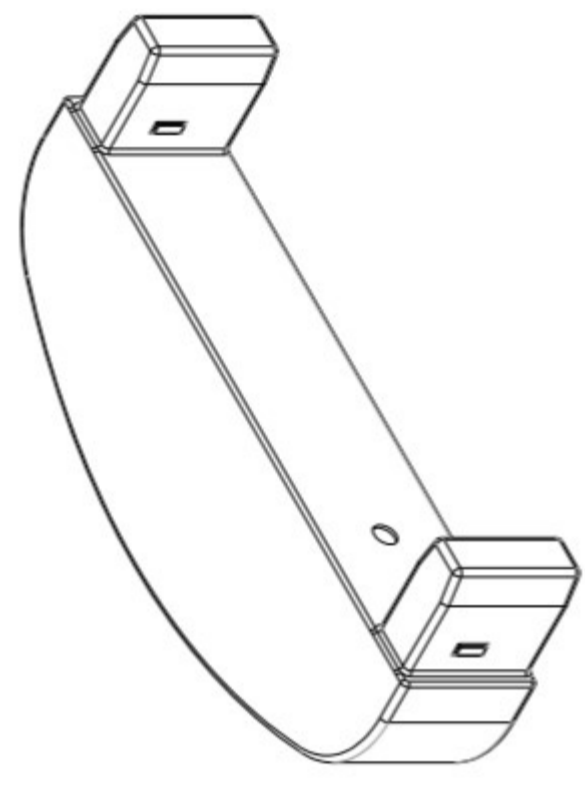
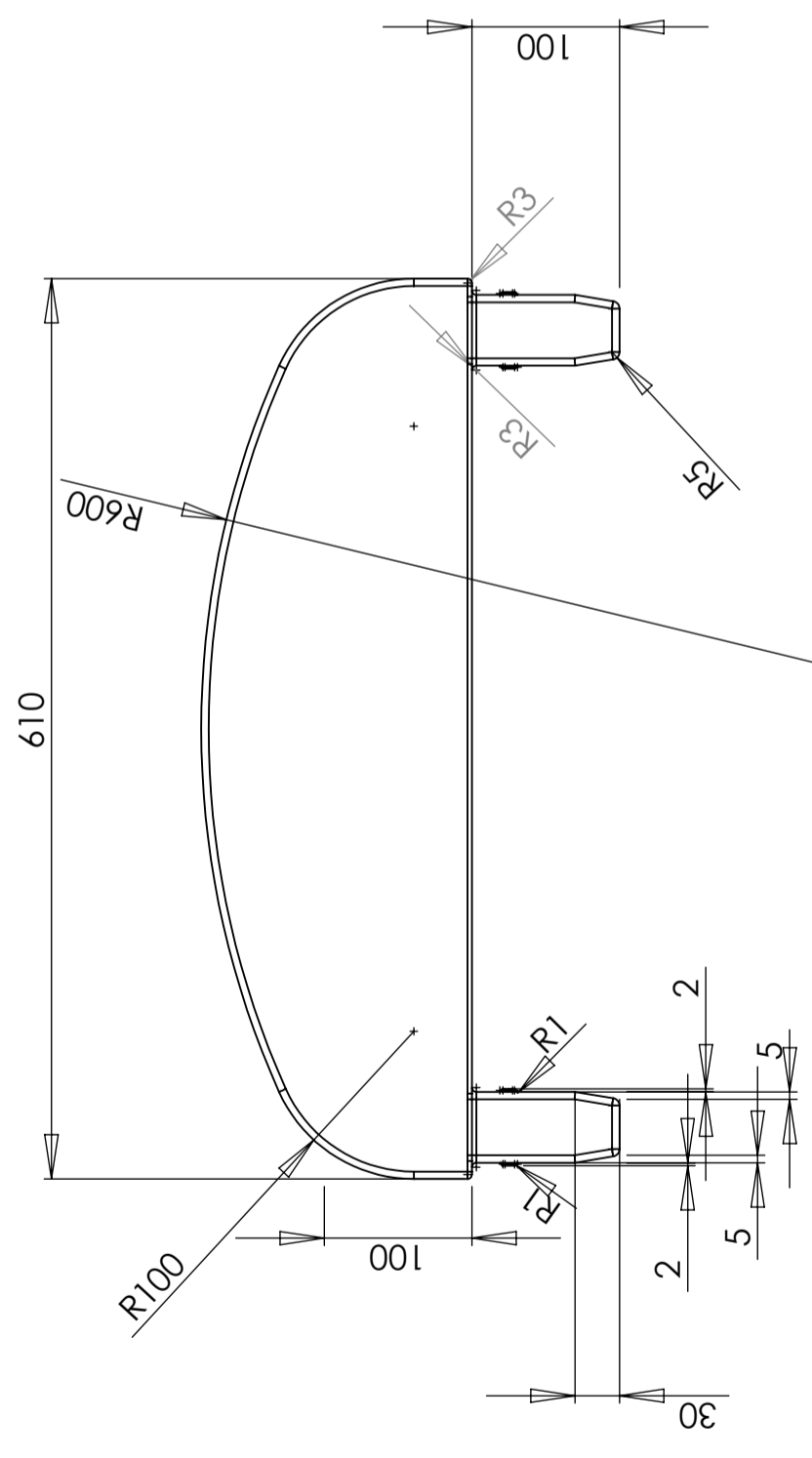
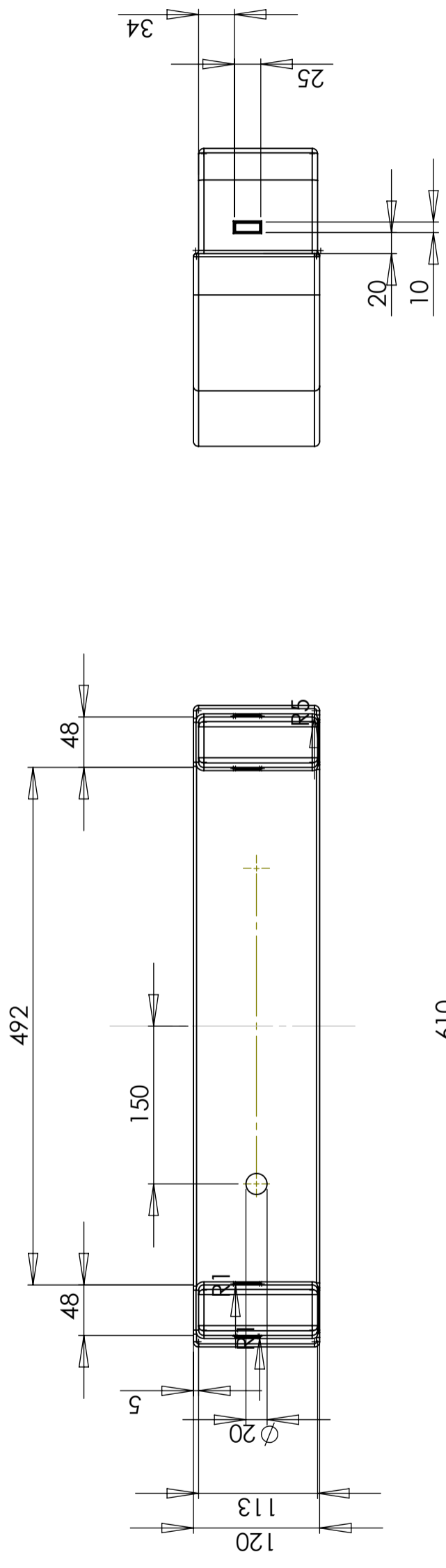
Wide
temperature
range



Logistics
solutions



Easy to clean



This drawing and design is the property of CIPAX. Copying and distribution of the drawing or any contents is prohibited without written permission from authorised personal at CIPAX

| | | | | |
|---------------------------------------------------|---------------------------------------------------------------------|--------|----------|----------|
| Generella toleranser om ej annat anges på ritning | Tillåtna avvikelser för längdbasmåttområde. Gäller + 20°C | | | |
| General tolerances if not other stated on drawing | Permissible deviations for basic length size range. Be valid + 20°C | | | |
| | 0-20 | >20-75 | >75-150 | >150-300 |
| | ± 0,5 mm | ± 1 mm | ± 1,5 mm | ± 1,3 % |
| | | | | ± 1 % |

| | | | | | | | | | | |
|------------------------|----|-------------|----|--------------------|-----------------|-------------------|---------------|------------------------|-------|-----|
| Konstruerad av | SE | Granskad av | SE | Godkänd av - datum | SE - 2006-03-20 | Generell tolerans | SS-ISO 2768-1 | Generell Ytjämnhet, Ra | Skala | 1:5 |
| Ägare | | | | | | | | | | |
| Titel/Benämning | | | | | | | | | | |
| Påkörningsskydd 120x60 | | | | | | | | | | |
| Ritningsnummer | | | | | | | | | | |
| S3-2787 | | | | | | | | | | |
| Utgåva | | | | | | | | | | |
| Blad | | | | | | | | | | |
| 1(1) | | | | | | | | | | |