

## CPX Closed tank 2100L


Not for underground use.

Connection from toilet 110 mm Connection for emptying 75 mm.

Not for underground use.

Art.nr: 21610



Specifications	
Material	PE
Shape	Rectangular
Bottom shape	Straight
Design	Closed
Lid type	2 psc. screw lid 185 mm
Color	Black
Volume (L)	2100
Length (mm)	2800
Width (mm)	1370
Height (mm)	900
Weight (kg)	95
Tollstatistical code	3925100000
GTIN	7090046760153
Recycling	 HDPE

## Characteristics



Customizable  
containers



Recyclable



Chemical  
resistance



Leak test

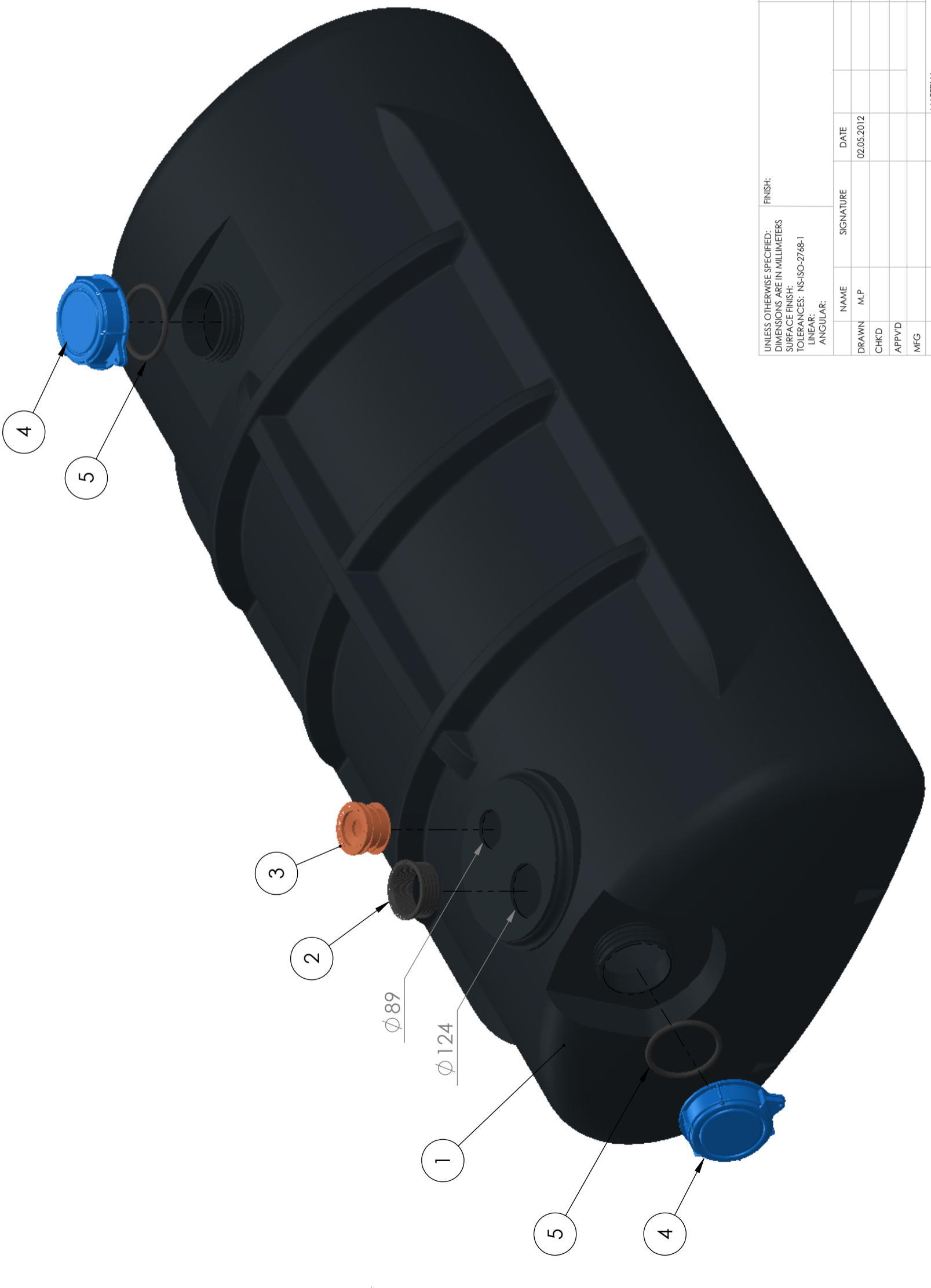


Logistics  
solutions



Easy to clean

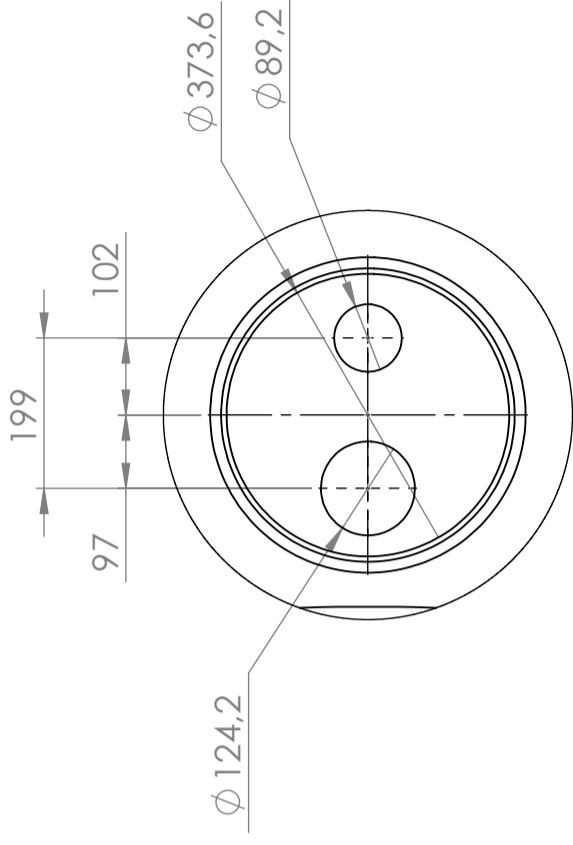
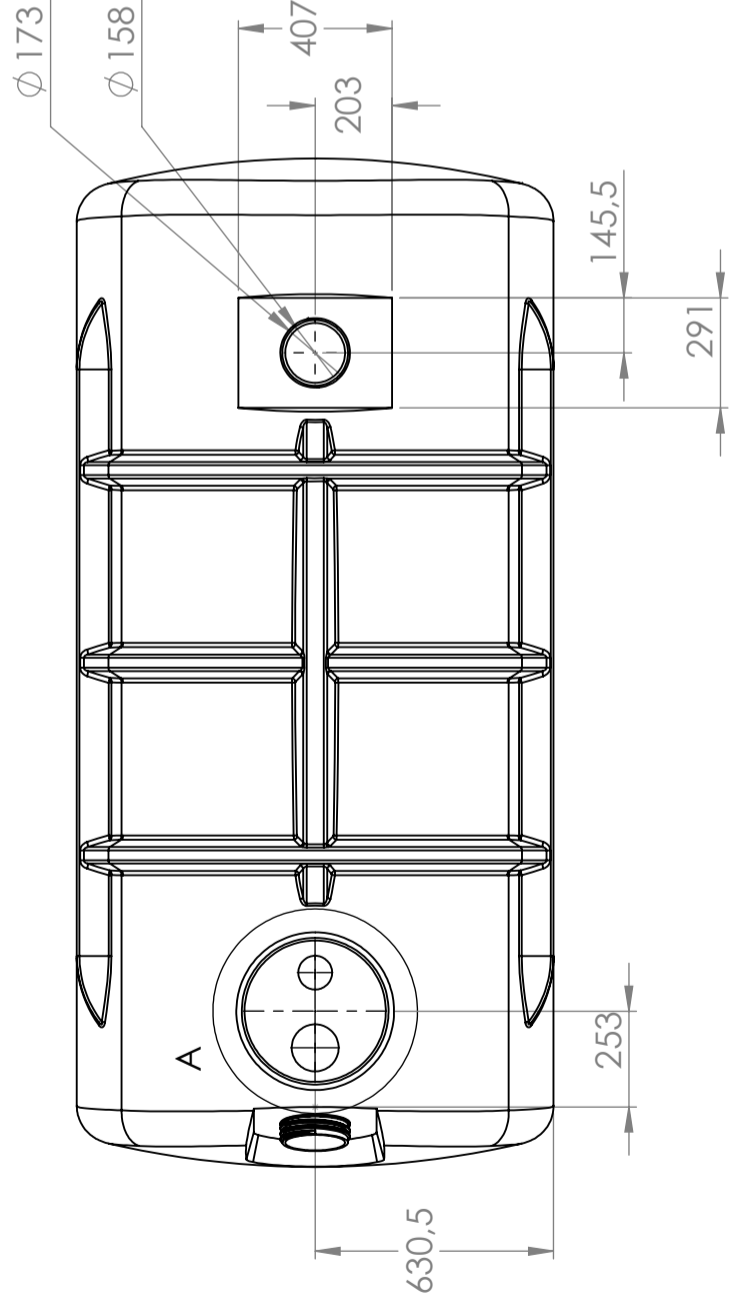
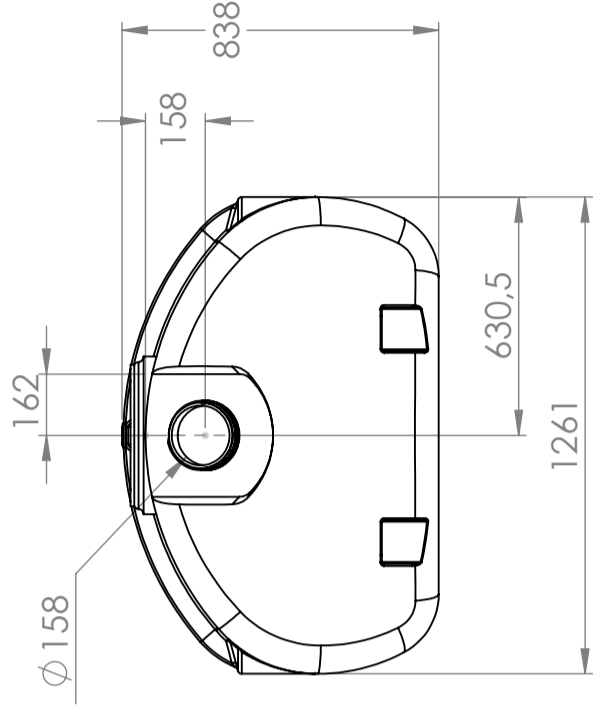
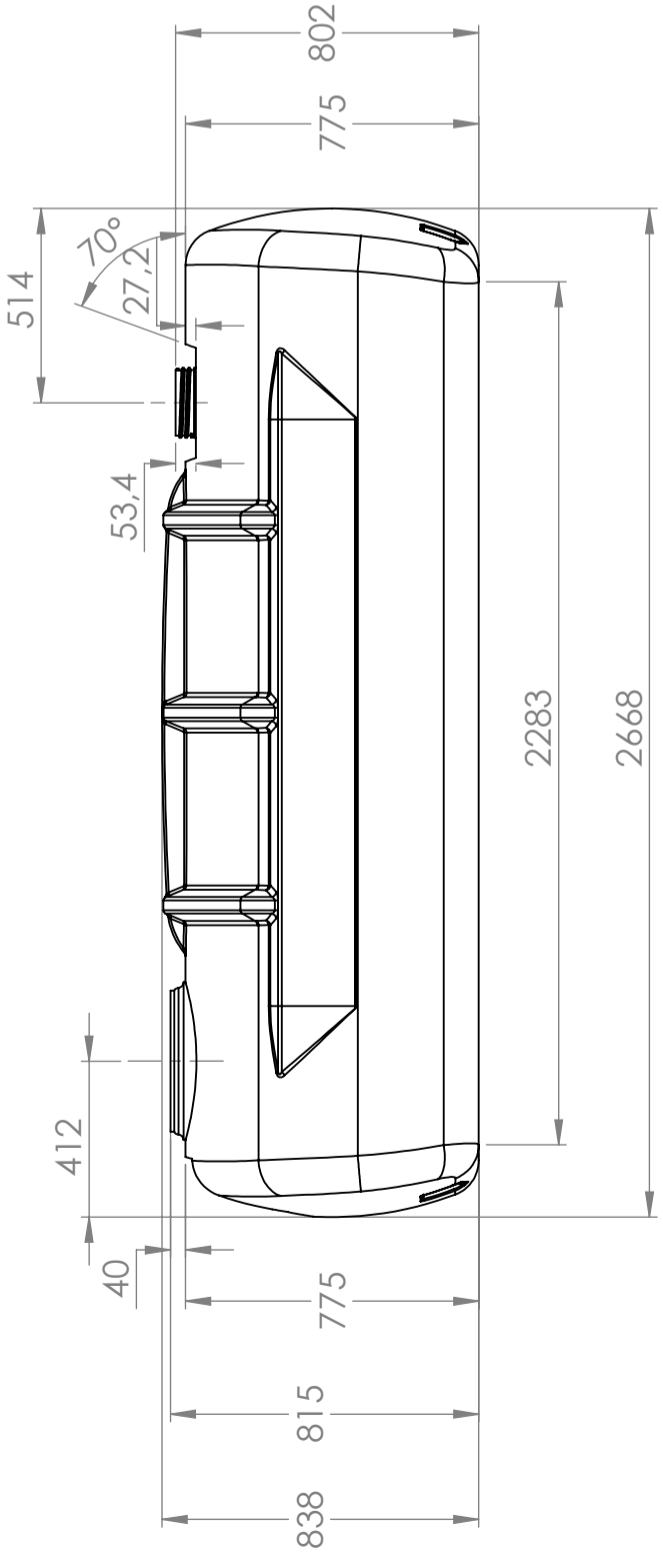
ITEM NO.	PART NUMBER	DESCRIPTION	QTY.
1	5722137	Sort MK-Tank	1
2	8800079	Gumminippel 123-126/110 mm	1
3	8800078	Gumminippel 96-105/50-70	1
4	8800189	Lokk RB u/pakn., blå tr 185x16	2
5	8800296	O-Ring TR 185x16 epdm	2



UNLESS OTHERWISE SPECIFIED: DIMENSIONS ARE IN MILLIMETERS		FINISH:		DEBUR AND BREAK SHARP EDGES		DO NOT SCALE DRAWING		REVISION	
SURFACE FINISH:									
TOLERANCES: NS-ISO-2768-1									
LINEAR:									
ANGULAR:									
NAME	SIGNATURE	DATE							
DRAWN M.P		02.05.2012							
CHKD									
APPVD									
MFG									
Q.A									
This drawing and design is the property of Cipax. Copying and distribution of the drawing or any contents is prohibited without the written permission from authorised personal at Cipax.			MATERIAL:						
			PELD						
			DWG NO.		945 -39				
			TITLE:		5722137				
					Industritank 2100 I - MK				
					SCALE:1:10				
					SHEET 1 OF 3				



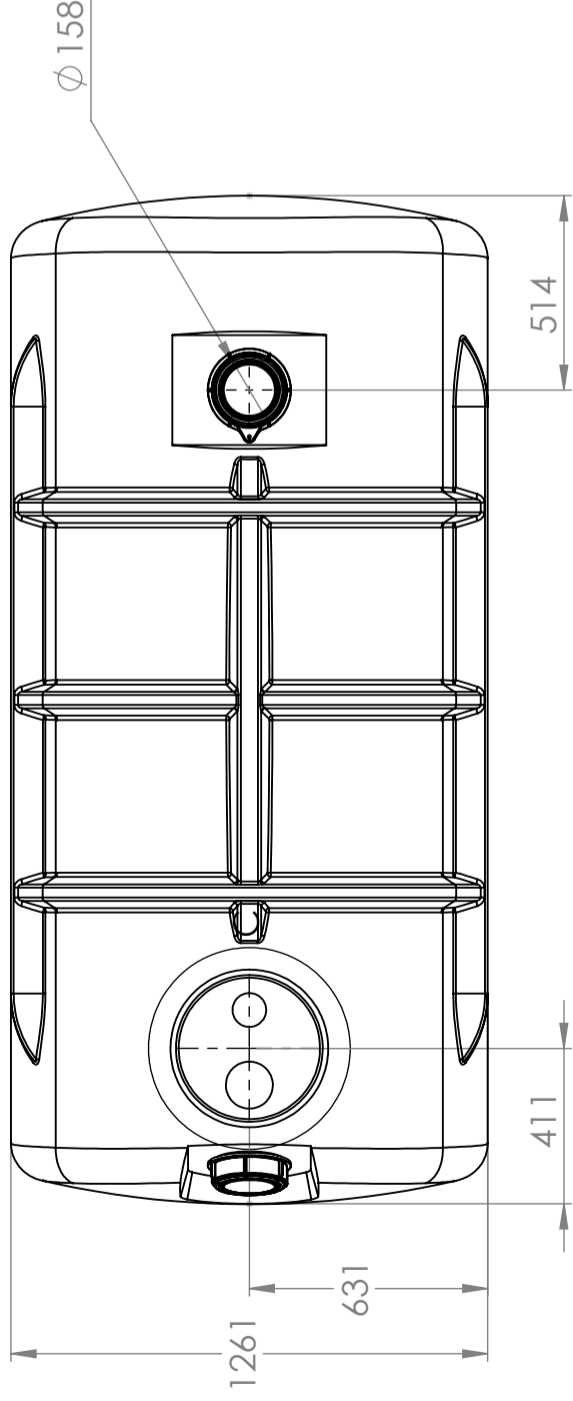
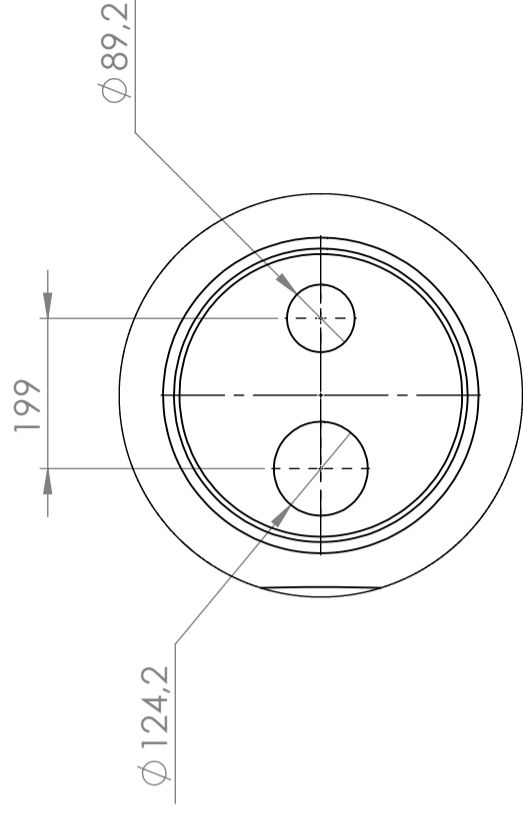
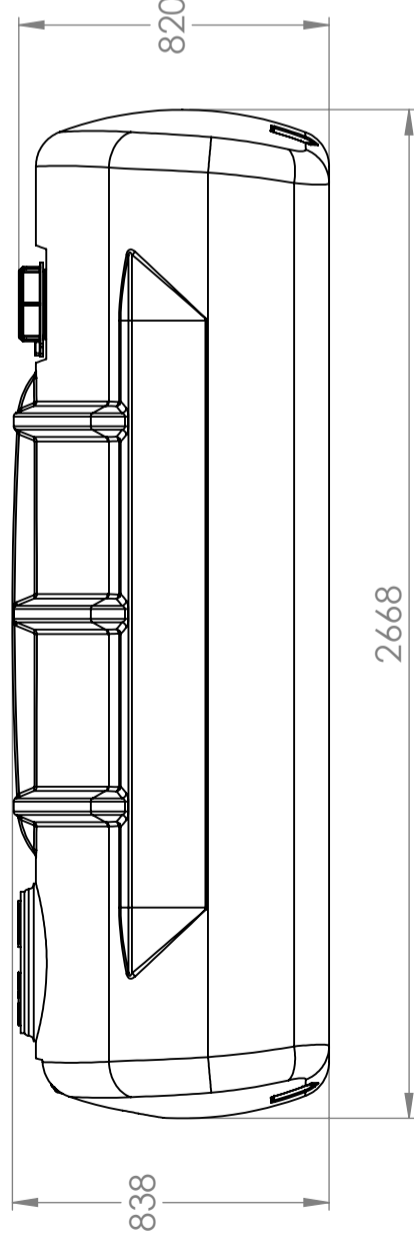
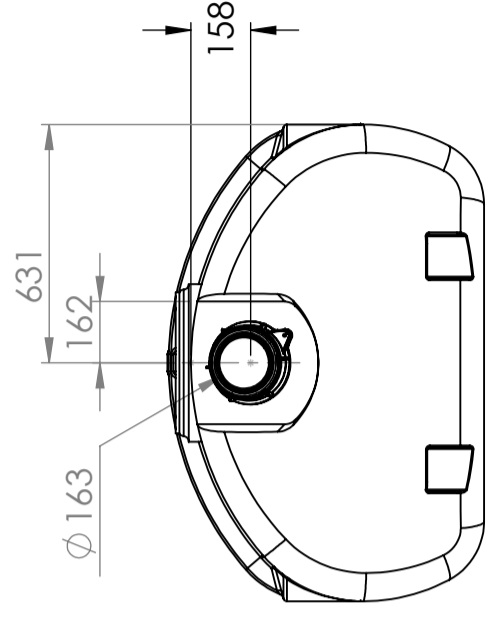
A		B		C		D		E		F	
1		2		3		4		5		8	



DETAIL A  
SCALE 1:10



UNLESS OTHERWISE SPECIFIED: DIMENSIONS ARE IN MILLIMETERS		FINISH:		DEBUR AND BREAK SHARP EDGES		DO NOT SCALE DRAWING		REVISION	
SURFACE FINISH:		DATE		MATERIAL:		CIPAX		5722137	
TOLERANCES: NS-ISO-2768-1		02.05.2012		PELD		Industritank 2000l MK-tank		946 - 39	
LINEAR:		SIGNATURE		DRAWN		TITLE:		DWG NO.	
ANGULAR:		M.P		CHKD		SCALE:1:20		SHEET 2 OF 3	
NAME		MFG		APPLYD		WEIGHT:		A3	
Q.A		MATERIAL:		PERSONAL AT CIPAX		PERSONAL AT CIPAX		PERSONAL AT CIPAX	



DETAIL C  
SCALE 1 : 10



UNLESS OTHERWISE SPECIFIED:  
DIMENSIONS ARE IN MILLIMETERS  
SURFACE FINISH:  
TOLERANCES: NS-ISO-2768-1  
LINEAR:  
ANGULAR:

FINISH:

NAME	SIGNATURE	DATE
DRAWN M.P		08.05.2012
CHKD		
APPVD		
MFG		
Q.A		

This drawing and design is the property of CIPAX. Copying and distribution of the drawing or any contents is prohibited without the written permission from authorised personal at CIPAX.

DEBUR AND  
BREAK SHARP  
EDGES

TITLE:

5722137

Industritank 2000l MK-tank

DWG NO.

947 - 39

PELD

MATERIAL:

WEIGHT:

SCALE:1:20

SHEET 3 OF 3

A3

