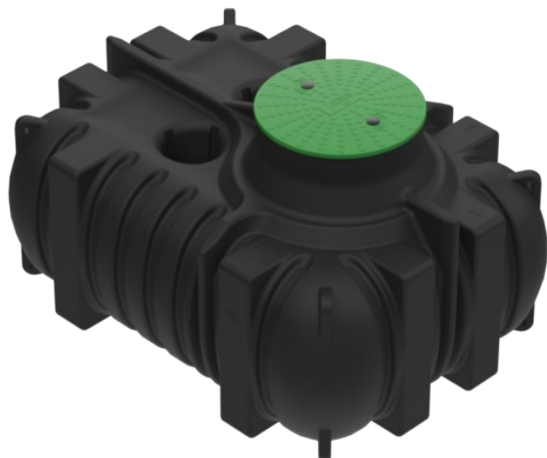


CPX Closed tank 3000L RM



The tank's sturdy design means that it can be installed both above ground and underground. The CPX 3000 litre closed tank is also suitable for vacuum toilets. This model is slightly narrower than the usual 3 000 litre tank.

This tank is made from at least 80% recycled material (post-industrial) and thus has approximately 35% lower carbon footprint than a corresponding product made from non-recycled material. The tank has therefore not been tested safe for drinking water.

Art.nr: 230202



Approximate size

Specifications	
Material	PE
Shape	Rectangular
Bottom shape	Straight
Lid type	
Color	Black
Volume (L)	3000
Length (mm)	2350
Width (mm)	1700
Height (mm)	1350
Weight (kg)	165
Tollstatistical code	3925100000
GTIN	7090046761082
Recycling	

Characteristics



Customizable containers



Recyclable



Chemical resistance



Leak test



Logistics solutions



Easy to clean

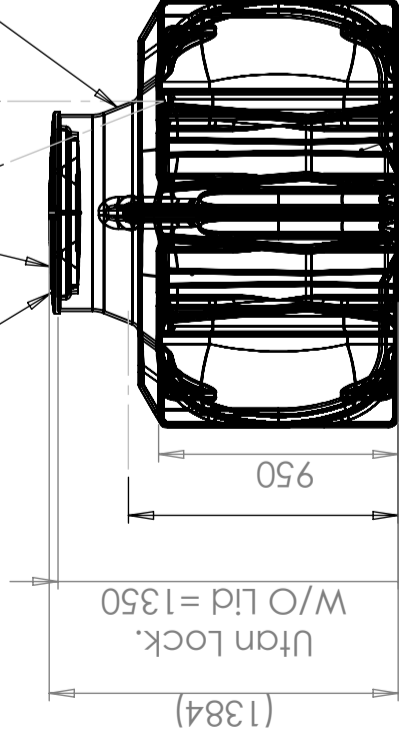
Revision		Godkänd	
REV.	Ändringsmeddelande	Datum	

För installation under jord krävs förhöjningshals
For underground installation extension neck is required

NOTE:
Ingång för sluten tank
Inlet area for closed tank

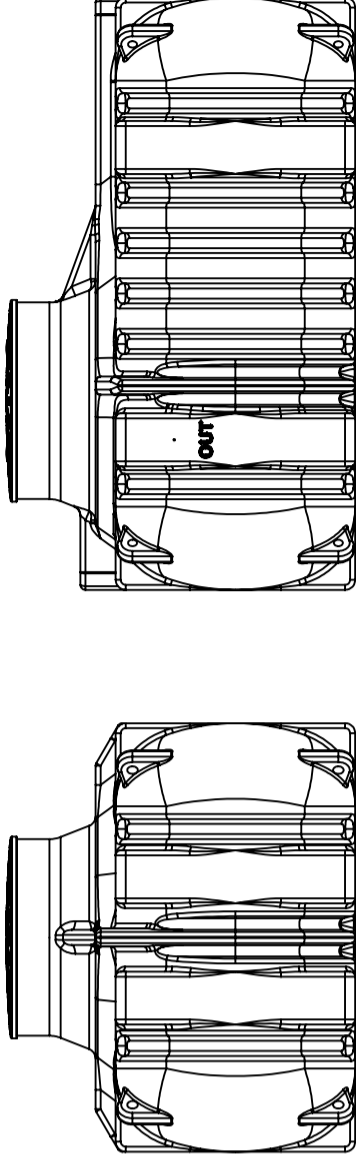
22°

Lock/Lid Ø600mm

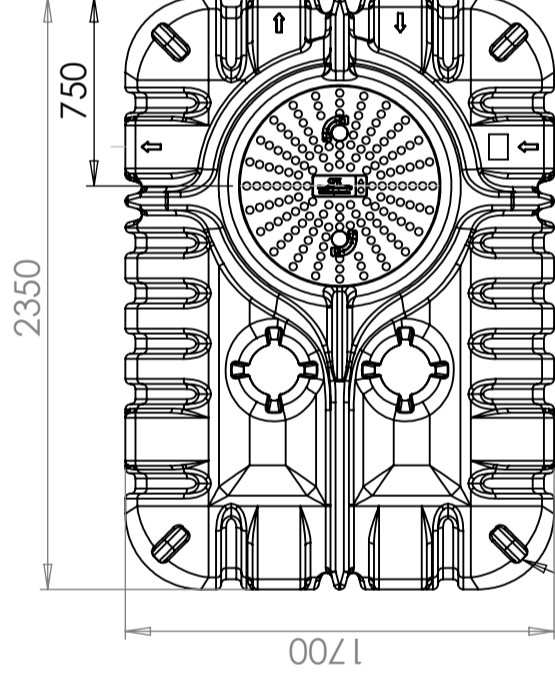


Yta för extra anslutningar (8x)
Area for optional connections (8x)

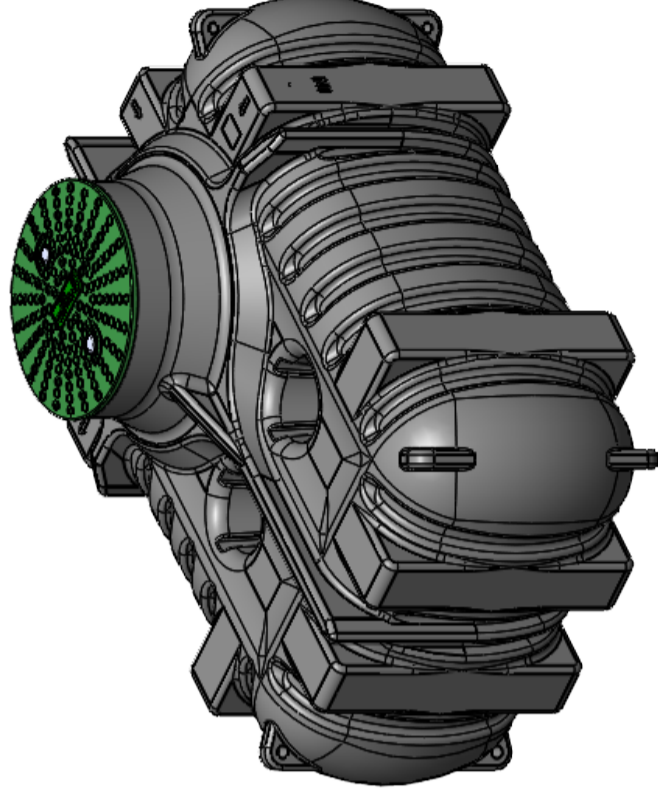
NOTE:
Ingång EJ avsedd för sluten tank
Inlet position NOT intended for closed tank



Vattengång in/
Water Entrance=1070mm



Lyftföglor för hantering och installation (8x)
Lift Loops for handling and installation (8x)



Rubber seal intended for 110 mm pipe provided. Holesaw 121 mm

Konstruerad av	Granskad av	Godkänd av - datum	Generell Ytjämnhet, Ra	Vyplacering	Skala
JA	MB	- JA 2025-02-28	SS-ISO 2768-1		1:30
Ägare	Titel/Benämning				
	CPX Closed Tank 3000L RM				
	Ritningsnummer				
	230202 ASSEMBLY				
	Utgåva	Blad			
	B	1(1)			

Generella toleranser om ej annat anges på ritning	Tillåtna avvikelser för längdbasområde. Gäller + 20°C			
General tolerances if not other stated on drawing	Permissible deviations for basic length size range. Be valid + 20°C			
	0-20	>20-75	>75-150	>150-300
	± 0,5 mm	± 1 mm	± 1,5 mm	± 1,3 %
				± 1 %



230202 ASSEMBLY