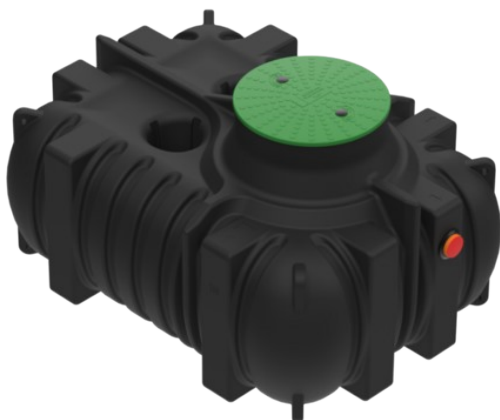


CPX Coarse tank 2200L RM



CPX Coarse Tank with a total volume of 2200L provides a supplementary sludge storage of the same size and separates and stores sludge from wastewater as a pre-step to a mini treatment plant (SBR) or a site-built treatment plant. Suitable for all brands of mini wastewater treatment plants on the market, is easy to install and virtually maintenance-free during operation. Does not require a connection to electricity.

This tank is made from at least 80% recycled material (post-industrial) and thus has approximately 35% lower carbon footprint than a corresponding product made from non-recycled material.

Art.nr: 230221

Specifications	
Material	PE
Shape	Rectangular
Bottom shape	Straight
Design	Closed
Lid type	
Color	Black
Volume (L)	2200
Length (mm)	2350
Width (mm)	1700
Height (mm)	1350
Weight (kg)	181
GTIN	7090046761099
Recycling	 HDPE

Characteristics



Customizable containers



Recyclable



Chemical resistance



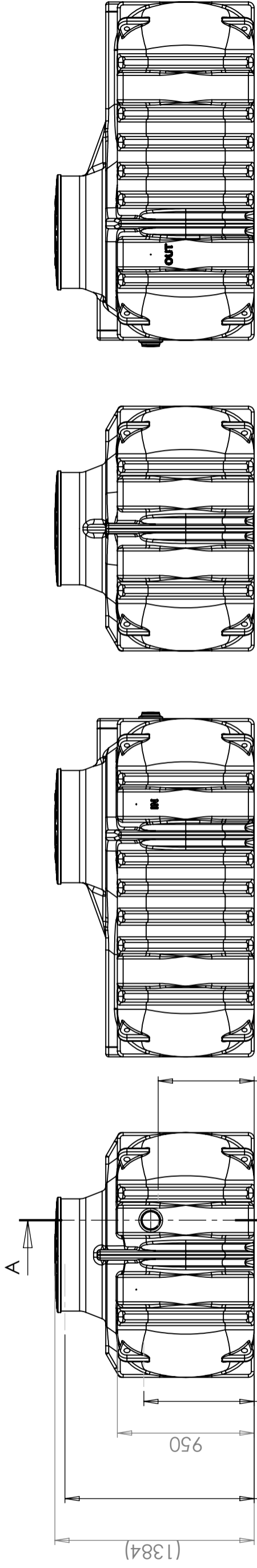
Leak test



Logistics solutions



Easy to clean

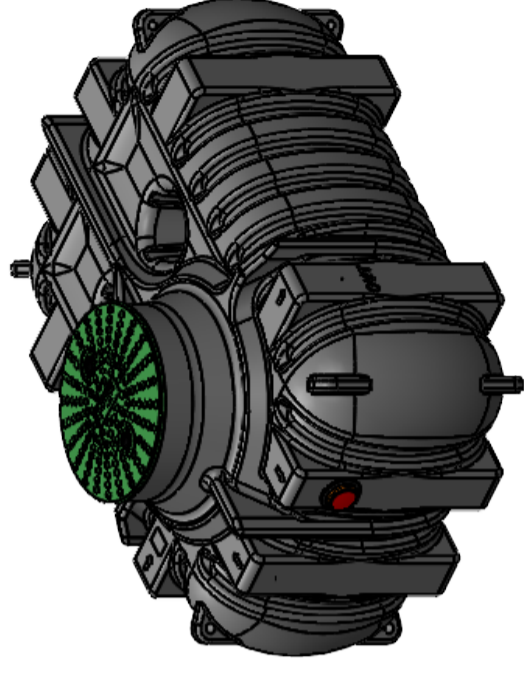
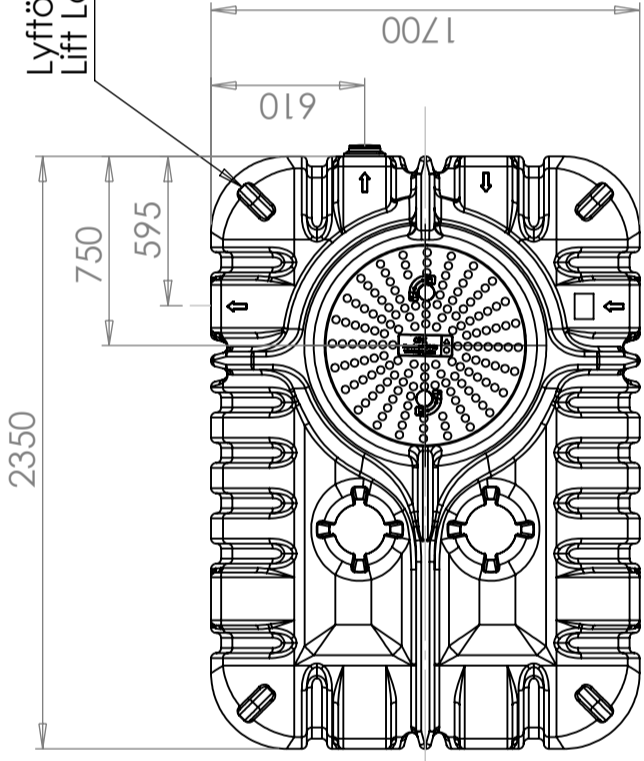


Vattengång In
 Water Entrance=76mm
 Ej Förborrad/Not Pre Drilled

Vattengång Ut
 Water Exit=666mm

Utän Lock
 W/O Lid=1314mm

Lyffögglor för hantering och installation (8x)
 Lift Loops for handling and installation (8x)



Lock/Lid Ø600mm

T-Rör
 T-Pipe

Gummimuff/Rubber Sealing DN110

Utlopps rör DN 110
 Outlet Pipe DN 110

SECTION A-A

Generella toleranser om ej annat anges på ritning	Tillåtna avvikelser för längdbasområde. Gäller + 20°C
General tolerances if not other stated on drawing	Permissible deviations for basic length size range. Be valid + 20°C
± 0,5 mm	0-20
± 1 mm	>20-75
± 1,5 mm	>75-150
± 1,3 %	>150-300
± 1 %	>300

Konstruerad av	Granskad av	Godkänd av - datum	Generell tolerans SS-ISO 2768-1	Generell Ytjämnhet, Ra	Vyplacering	Skala
JA	MB	JA 2025-02-28				1:30
Ägare	Titel/Benämning		Ritningsnummer			
	CIPAX		230221			
	CPX Pre Separator tank 2200L RM		Blad			
			A			
			1(1)			