


## CPX Coarse tank 2200L



CPX Coarse Tank with a total volume of 2200L provides a supplementary sludge storage of the same size and separates and stores sludge from wastewater as a pre-step to a mini treatment plant (SBR) or a site-built treatment plant. Suitable for all brands of mini wastewater treatment plants on the market, is easy to install and virtually maintenance-free during operation. Does not require a connection to electricity.

Art.nr: 23022

Specifications	
Material	PE
Shape	Rectangular
Bottom shape	Straight
Design	Closed
Lid type	
Color	Black
Volume (L)	2200
Length (mm)	2350
Width (mm)	1700
Height (mm)	1350
Weight (kg)	165
Recycling	

## Characteristics



Customizable containers



Recyclable



Chemical resistance



Leak test

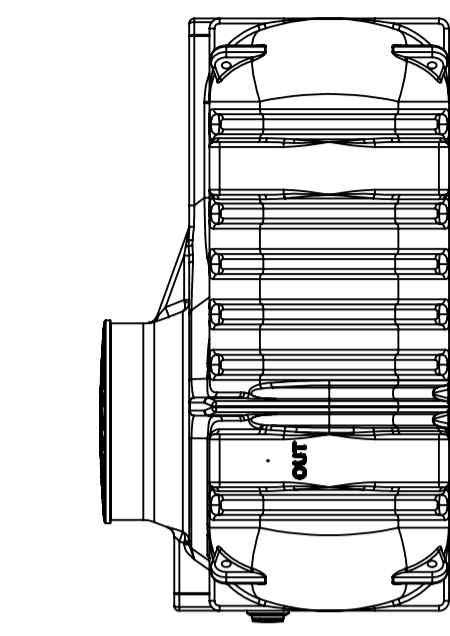
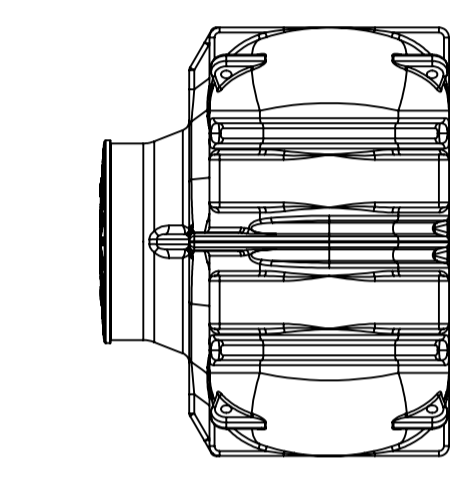
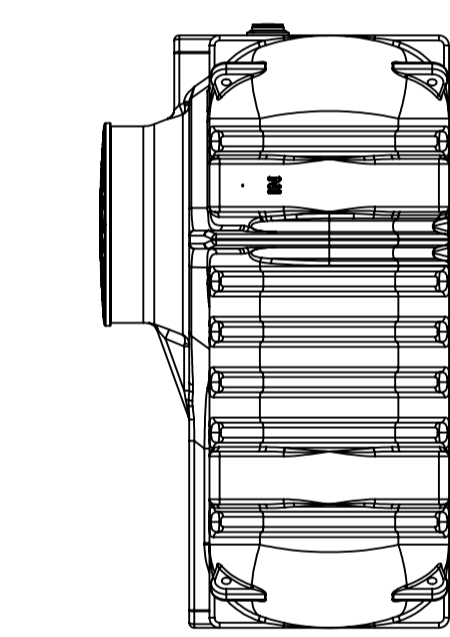
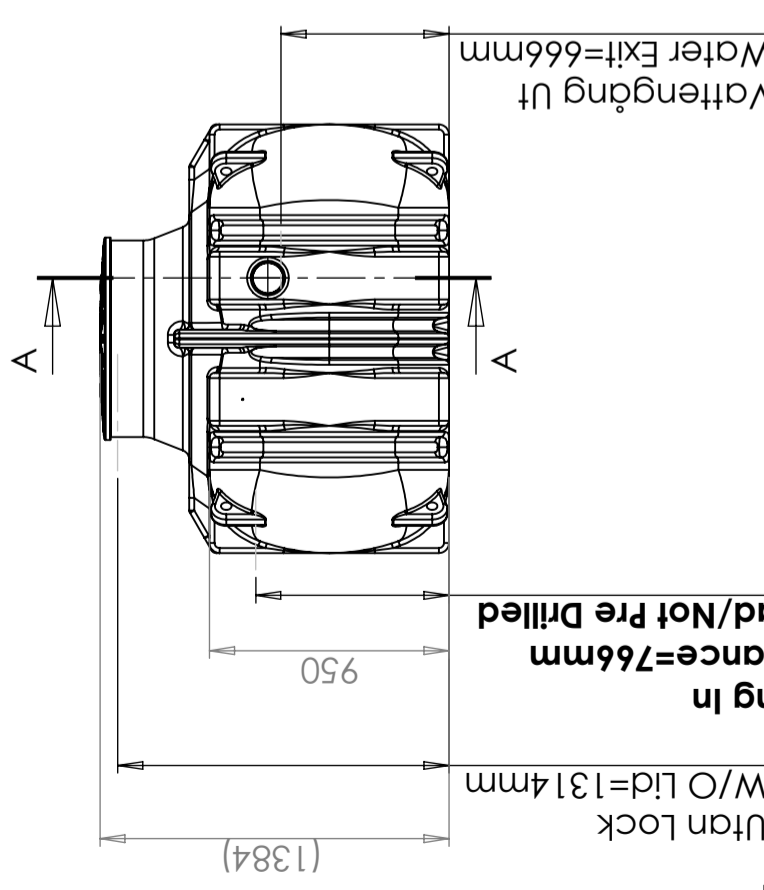


Logistics solutions

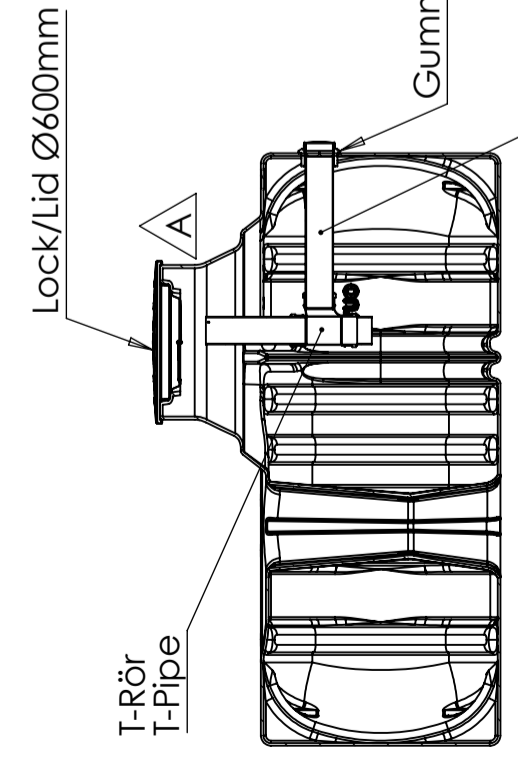
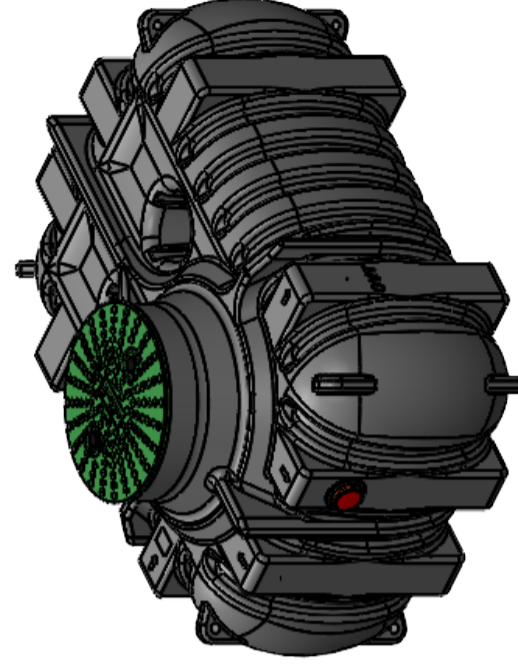
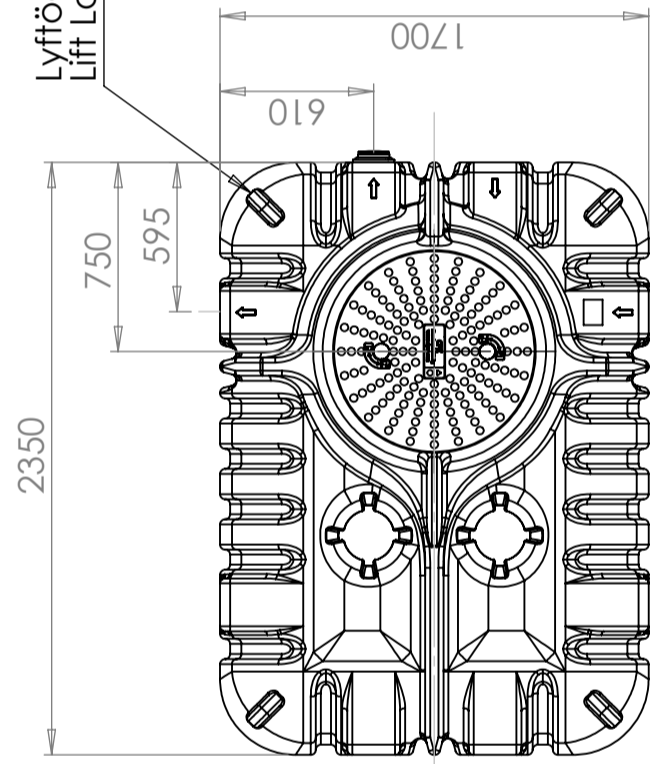


Easy to clean

Revision	
REV.1	New position of outlet
	2020-03-05
	JA
A	New internal neck design so the lid can be attached directly on tank.
	2024-01-30
	JA



Lyffögglor för hantering och installation (8x)  
Lift Loops for handling and installation (8x)



SECTION A-A

Generella toleranser om ej annat anges på ritning	Tillåtna avvikelser för längdbasområde. Gäller + 20-C
General tolerances if not other stated on drawing	Permissible deviations for basic length size range. Be valid + 20-C
± 0,5 mm	0-20
± 1 mm	>20-75
± 1,5 mm	>75-150
± 1,3 %	>150-300
± 1 %	>300

Konstruerad av	JA	Granskad av	MB	Godkänd av - datum	JA 2020-02-24	Generell tolerans	SS-ISO 2768-1	Generell Ytjämnhet, Ra		Vyplacering		Skala	1:30
----------------	----	-------------	----	--------------------	---------------	-------------------	---------------	------------------------	--	-------------	--	-------	------

Ägare

Titel/Benämning  
CPX Pre Separator tank 2200L

Ritningsnummer  
23022 Assembly

Blad  
A

1(1)

This drawing and design is the property of CIPAX. Copying and distribution of the drawing or any contents is prohibited without written permission from authorised personal at CIPAX