


CPX Coarse tank 4200L

CPX Coarse Tank with a total volume of 4200L provides a supplementary sludge storage of the same size and separates and stores sludge from wastewater as a pre-step to a mini treatment plant (SBR) or a site-built treatment plant. Suitable for all brands of mini wastewater treatment plants on the market, is easy to install and virtually maintenance-free during operation. Does not require a connection to electricity.

Art.nr: 23043



Specifications	
Material	PE
Shape	Rectangular
Bottom shape	Straight
Design	Closed
Lid type	
Color	Black
Volume (L)	4200
Length (mm)	2600
Width (mm)	2350
Height (mm)	1200
Weight (kg)	305
Recycling	 HDPE

Characteristics



Customizable containers



Recyclable



Chemical resistance



Leak test



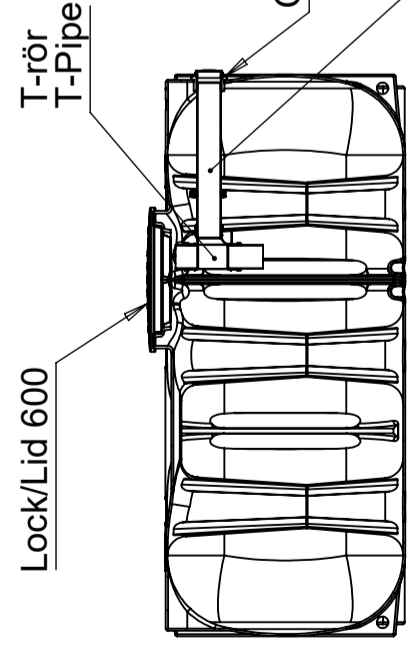
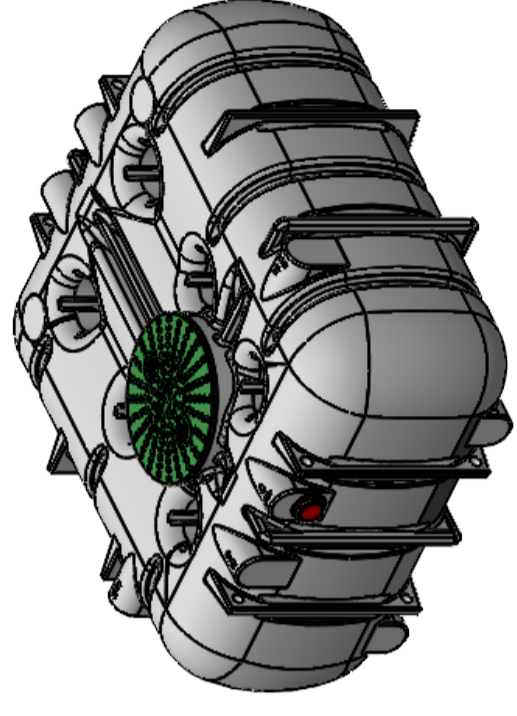
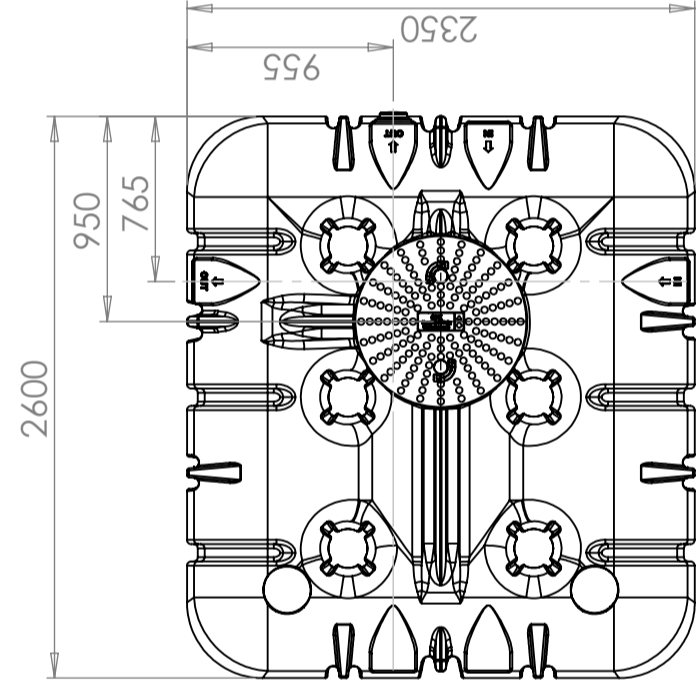
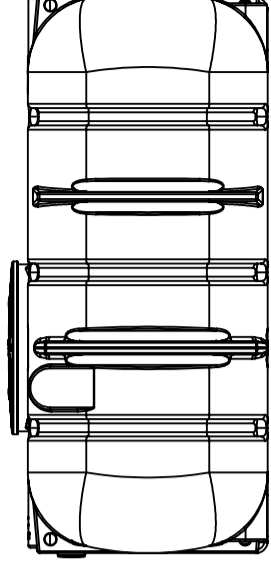
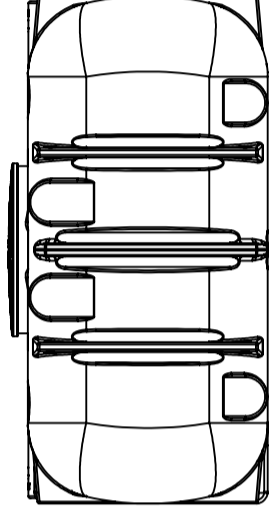
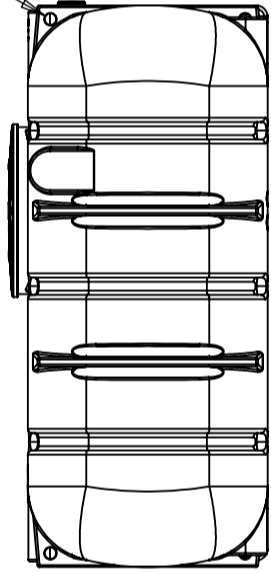
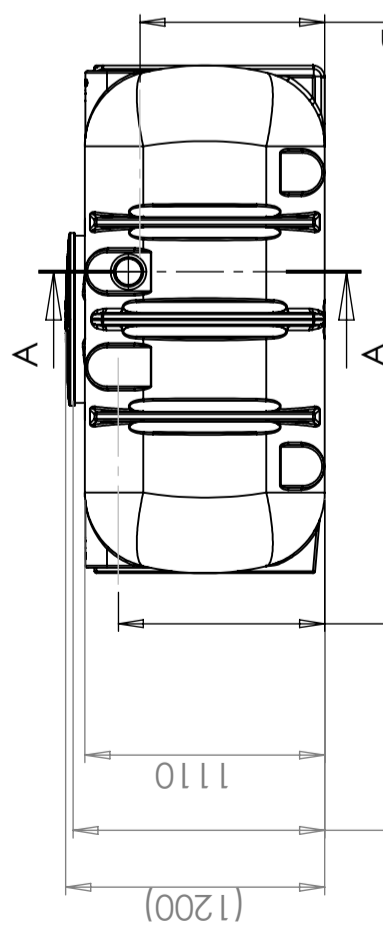
Logistics solutions



Easy to clean

Revision		
REV.	Ändringsmeddelande	Datum
		Godkänd

Lyftöglor för hantering och installation (8x)
Lift loops for handling and installation (8x)



SECTION A-A

Generella toleranser om ej annat anges på ritning	Tillåtna avvikelser för längdbasmåttområde. Gäller + 20°C			
General tolerances if not other stated on drawing	Permissible deviations for basic length size range. Be valid + 20°C			
	0-20	>20-75	>75-150	>150-300
	± 0,5 mm	± 1 mm	± 1,5 mm	± 1,3 %
				± 1 %

Konstruerad av	Granskad av	Godkänd av - datum	Generell tolerans SS-ISO 2768-1	Generell Ytjämnhet, Ra	Vyplacering	Skala
JA	FB	JA 2024-06-27				1:35
Titel/Benämning						
CPX Pre Separator Tank 4200L						
Ritningsnummer						
23043 Assembly						
Utgåva						
A						
Blad						
1(1)						

This drawing and design is the property of CIPax. Copying and distribution of the drawing or any contents is prohibited without written permission from authorised personal at CIPax