

CPX Septic 4200L



Robust, low buildt septic tank with large sedimentation volume and 3 chambers that provide an extra long sedimentation distance. The separation capacity is very high (0,06g). The flexible, robust design makes CPX Septic tank suitable for most ground conditions and allows the in- and out lets to be placed on both short and long sides of the septic tank.

CPX Septic tank 4200 is suitable for individual sewage systems with grey and black water. The septic tank can be used with or without extension neck and lockable, childproof lid is included. The integrated pump well and pump make it possible to pump the water up to the ground bed/infiltration, for example in case of an elevated infiltration. The septic tank is delivered complete with mounted pump and piping.

Approved according to EN12566, "Sewage treatment plant up to 50PE, factory made septic tanks" with third party approval from Swedish RISE.

CPX Septic tank 4200L is optimized for transport as a part of our ambition to minimize environmental effects and manufactured from age-resistant and 100% recyclable plastic.

Variants

23042	CPX Septic 4200L
230421	CPX Septic 4200L with pumping well

Characteristics



Customizable containers



Recyclable



Chemical resistance



Leak test

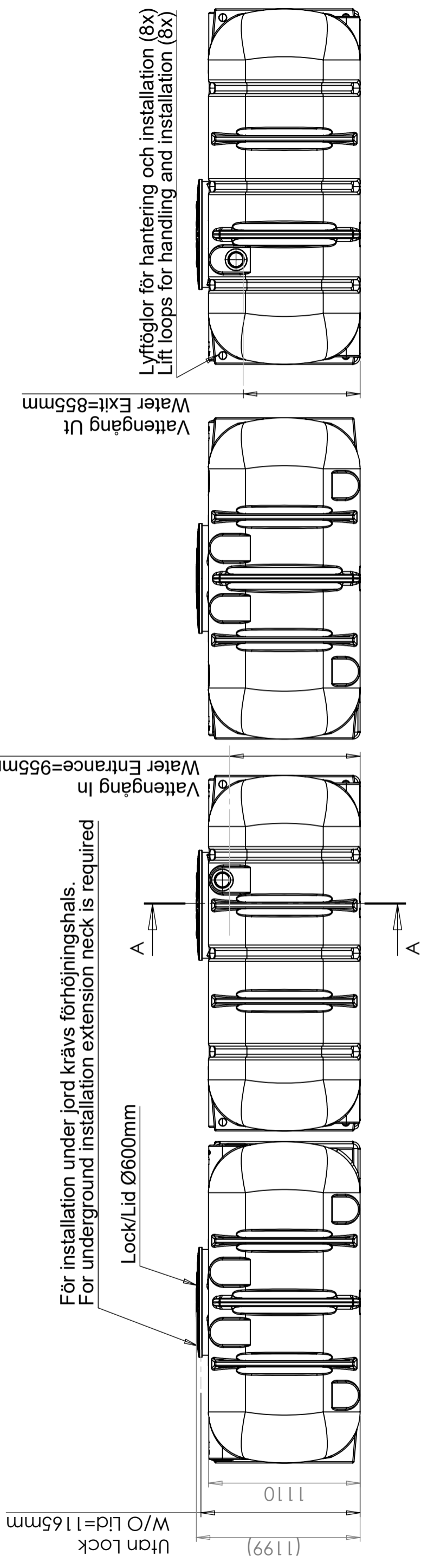


Logistics solutions

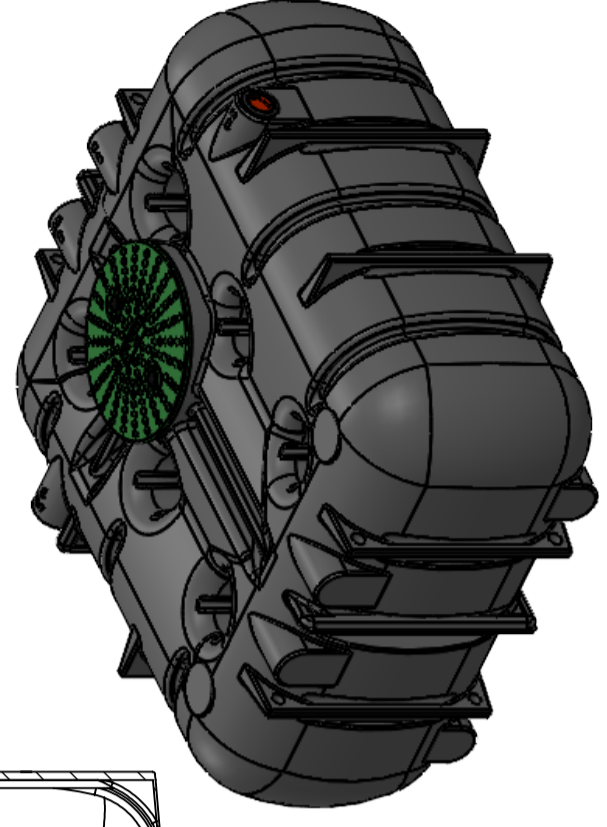
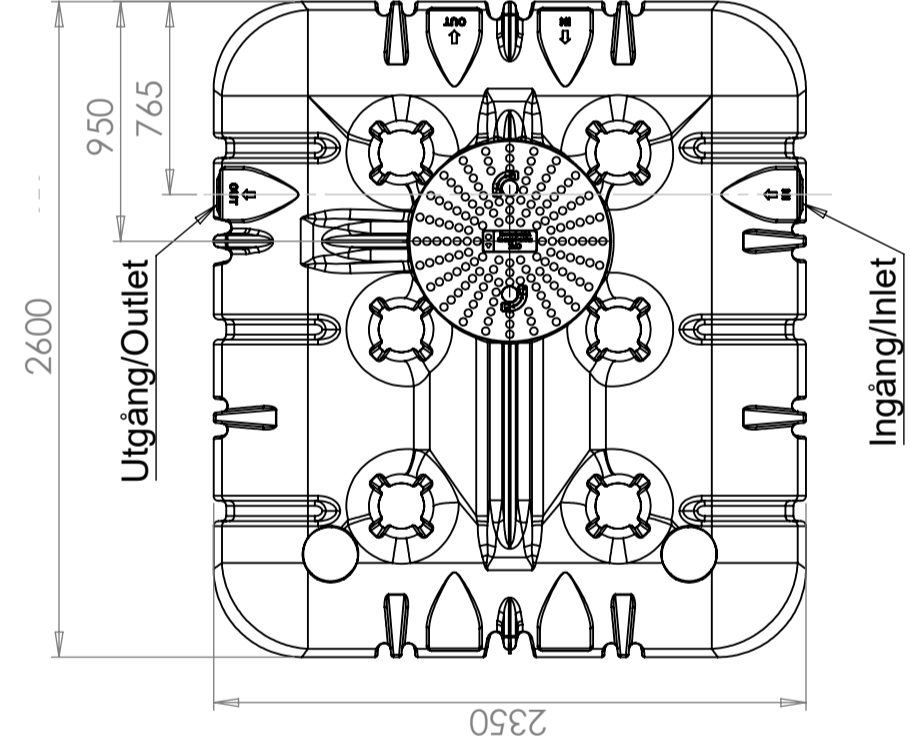
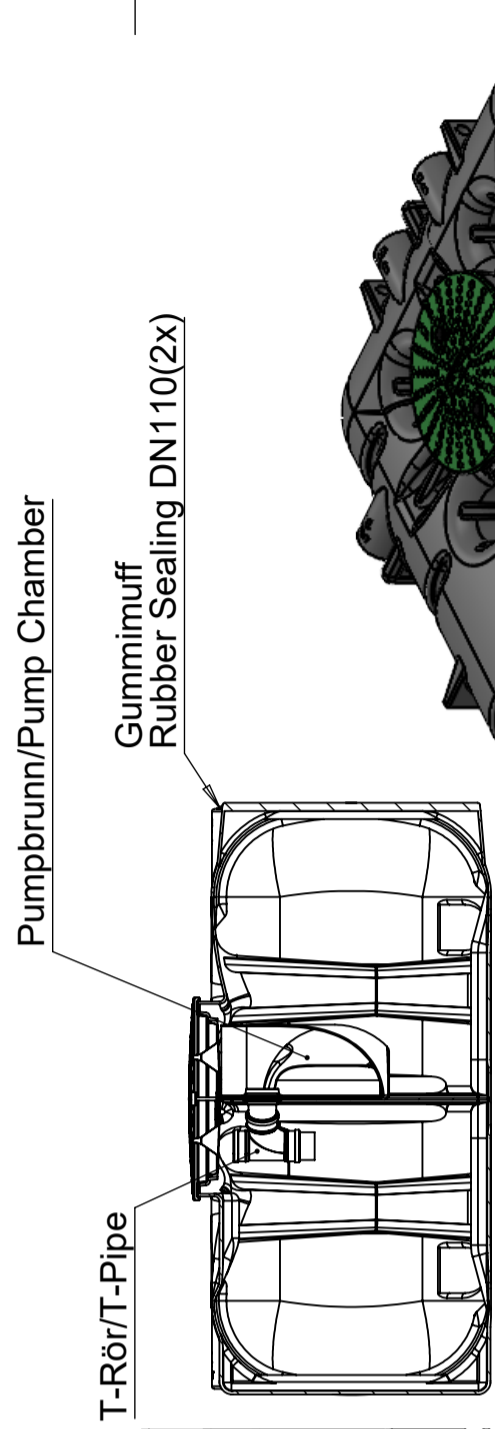


Easy to clean

Revision		Godkänd	
REV.	Ändringsmeddelande	Datum	



För installation under jord krävs förhöjningshals.
For underground installation extension neck is required



This drawing and design is the property of CIPax.
Copying and distribution of the drawing or any contents is prohibited without written permission from authorised personal at CIPax

Konstruerad av	Granskad av	Godkänd av - datum	Generell tolerans	Generell Ytjämnhet, Ra	Vyplacering	Skala
JA	MB	- JA 2022-06-15	SS-ISO 2768-1			1:30

Ägare

CIPAX

Titel/Benämning
CPX Septic Tank 4200L 4-k, Pumpchamber

Ritningsnummer
230421 Assembly

Utgåva
A

Blad
1(1)

Generella toleranser om ej annat anges på ritning	Tillåtna avvikelser för längdbasområde. Gäller + 20°C			
General tolerances if not other stated on drawing	Permissible deviations for basic length size range. Be valid + 20°C			
	0-20	>20-75	>75-150	>150-300
	± 0,5 mm	± 1 mm	± 1,5 mm	± 1,3 %
				± 1 %