


CPX Septic tank 2200L RM



The 3 chambers in the septic tank provide an extra-long sedimentation distance, and a high separation capacity (0.11 grams). The flexible, robust design means that CPX Septic Tanks are suitable for most ground conditions. Can be installed at depths of 2–2.9 metres. The inlet and outlet can be located on both short and long sides of the septic tanks. Can be fitted with integrated pump well, available as accessories.

This tank is made from at least 80% recycled material (post-industrial) and thus has approximately 35% lower carbon footprint than a corresponding product made from non-recycled material.

Art.nr: 230213

Specifications	
Material	PE
Bottom shape	Straight
Lid type	
Color	Black
Volume (L)	2200
Length (mm)	2350
Width (mm)	1700
Height (mm)	1350
Weight (kg)	216
Sludge volume (L)	1100
Wet volume (L)	2200
Tollstatistical code	3925100000
GTIN	7090046761075
Delivery packaging	1 pcs/pall
Recycling	 HDPE

Characteristics



Customizable containers



Recyclable



Chemical resistance



Leak test

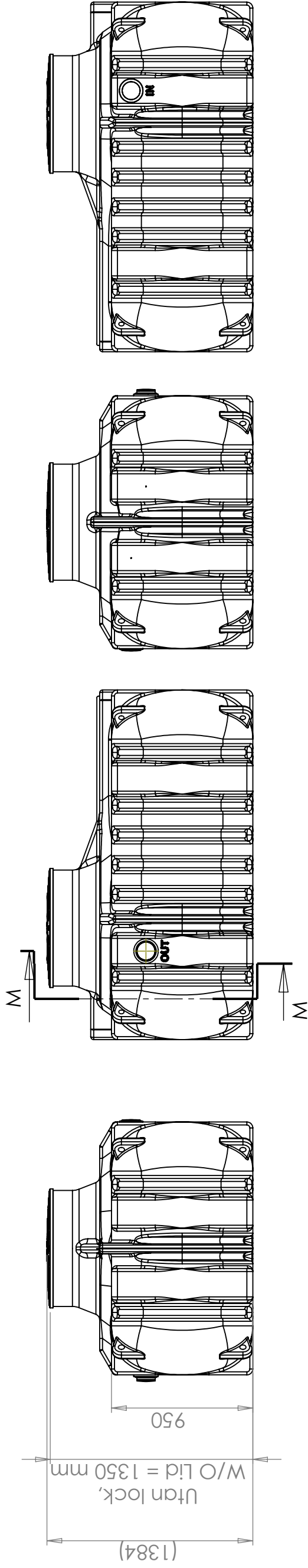


Logistics solutions

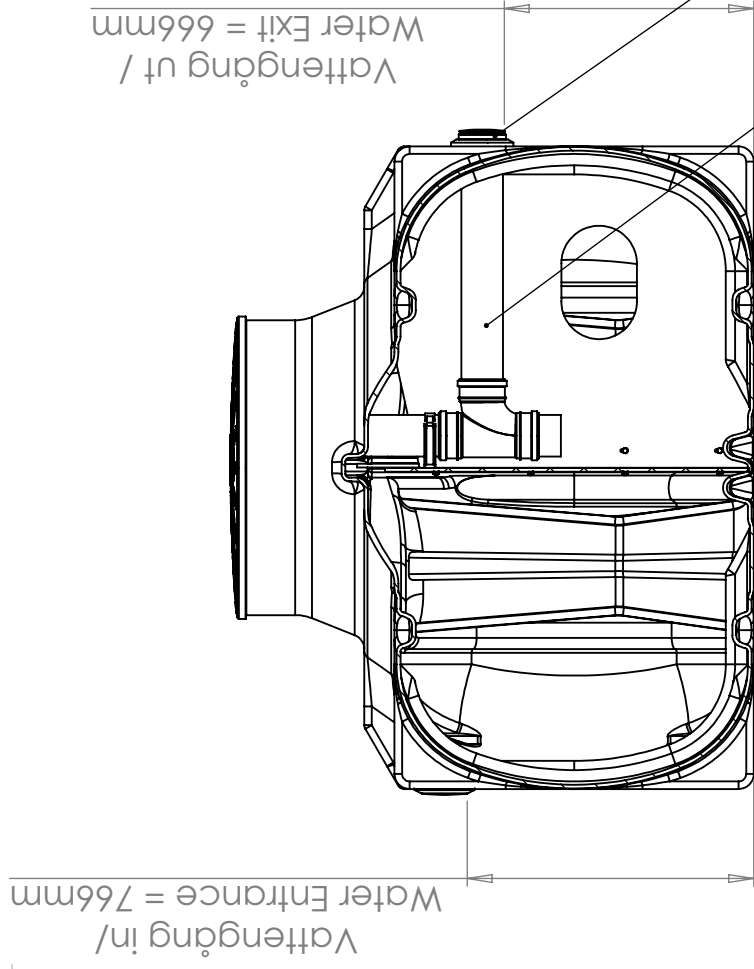


Easy to clean

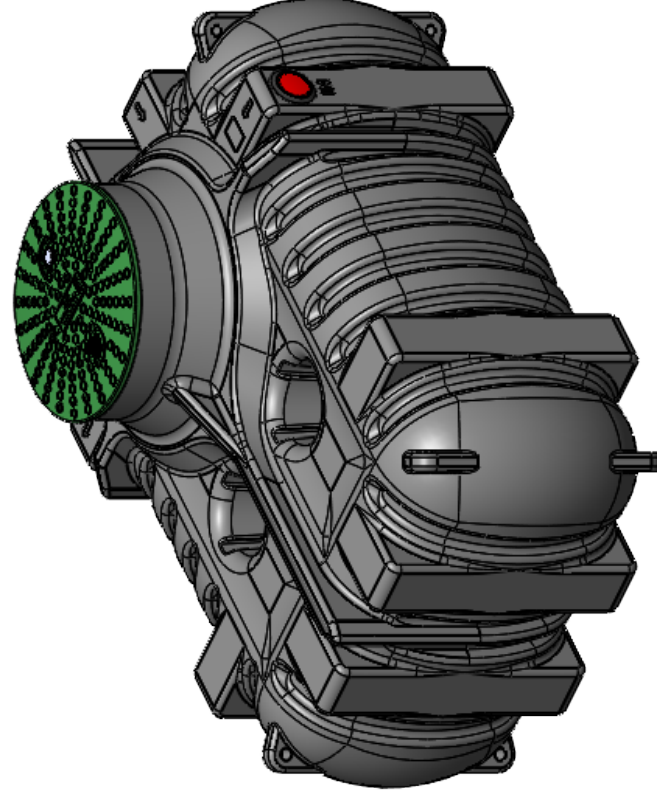
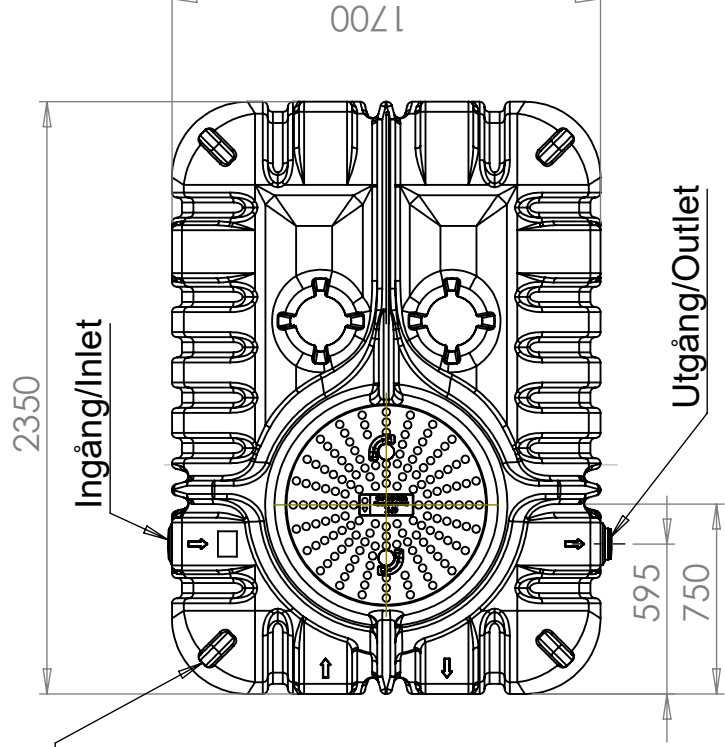
Revision		Godkänd	
REV.	Ändringsmeddelande	Datum	



Lyftglor för hantering och installation (8x)
Lift loops for handling and installation (8x)



SECTION M-M
SCALE 1 : 20



Gummimuff/Rubber Sealing DN 110 (2x)

Utloppsrör/Outlet Pipe DN 110

Konstruerad av	MB	Granskad av	L-EA	Godkänd av - datum	L-EA 2025-02-28	Generell tolerans SS-ISO 2768-1	Generell Ytjämnhet, Ra	Vyplacering	Skala	1:30
Ägare										
Titel/Benämning										
CPX Septic Tank 2200L 3-K RM										
Ritningsnummer										
230213										
Utgåva										
A										
Blad										
1(1)										

Generella toleranser om ej annat anges på ritning	Tillåtna avvikelser för längdmåttområde. Gäller + 20°C		
General tolerances if not other stated on drawing	Permissible deviations for basic length size range. Be valid + 20°C		
± 0,5 mm	± 1 mm	± 1,5 mm	± 1,3 %
> 75-150	> 150-300	> 300	> 300



This drawing and design is the property of CIPax. Copying and distribution of the drawing or any contents is prohibited without written permission from authorised personal at CIPax