


CPX Varastosäiliö 10000L, luonnonvaalea

Miesluukulla Ø 600 mm

Art.nr: 18013



Arvioitu koko

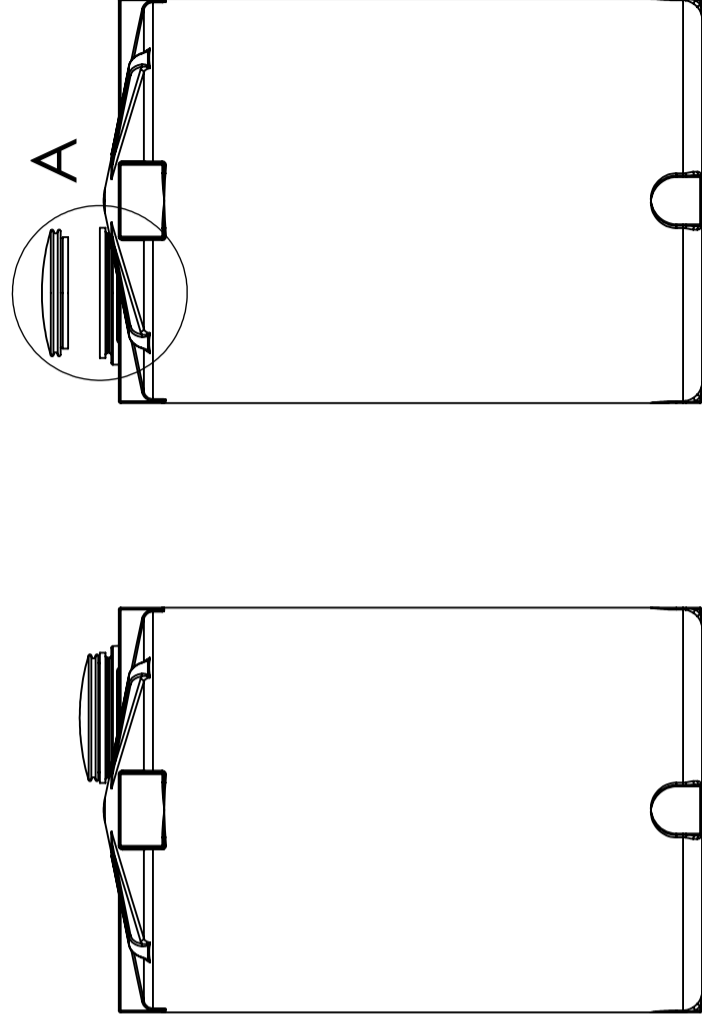
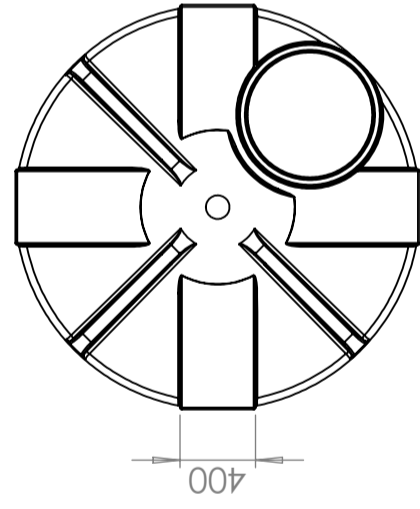
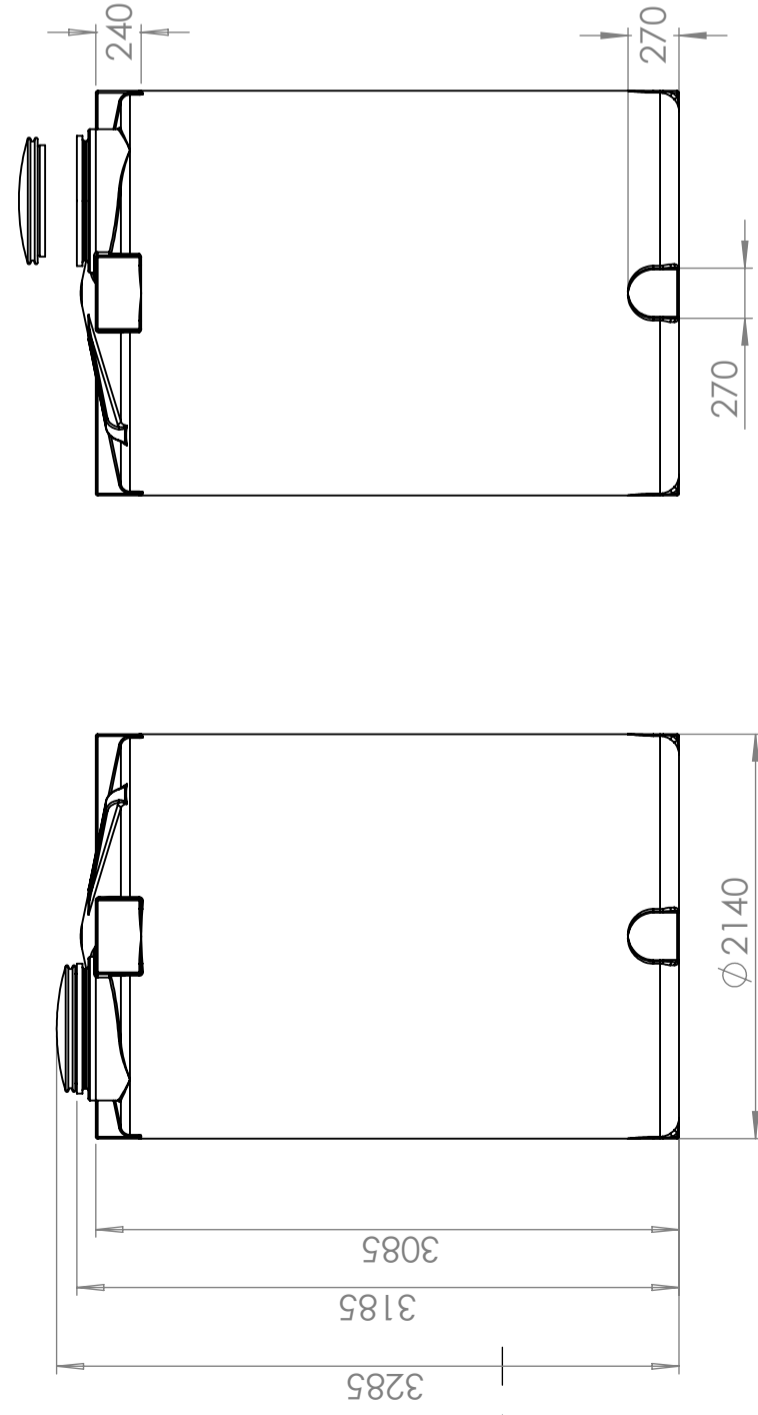
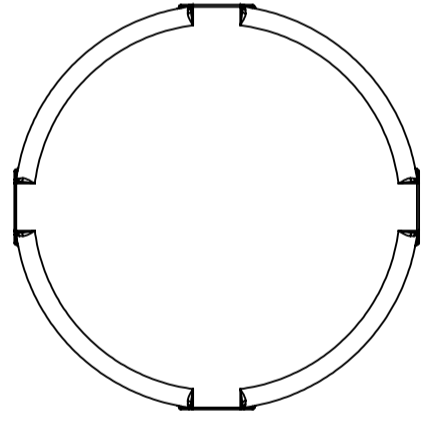
Tekniset tiedot	
Materiaali	PE
Muoto	Lieriömäinen
Pohjan muoto	Suoraan
Esitys	Suljettu
Kansityyppi	
Väri	Luonnollinen
Tilavuus (L)	10000
Korkeus (mm)	3285
Halkaisija (mm)	2140
Pinta-ala (m2)	4,6
Paino (kg)	435
Tiheyspitoisuus (max kg/l)	1,85
Tullitilastojen numero	3925100000
GTIN	7090046760825
Kierrätys	

Ominaisuudet



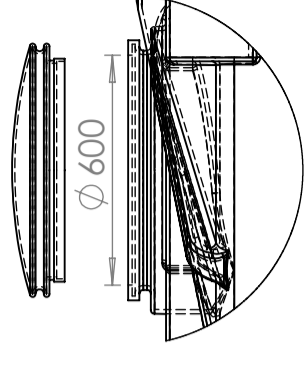
Painettu 17.4.2024

This drawing and design is the property of CIPAX. Copying and distribution of the drawing or any contents is prohibited without written permission from authorised personnel at CIPAX



DETAIL A

SCALE 1 : 20



REVISIONS

ZONE	REV.	DESCRIPTION	DATE	APPROVED

*Manhole requires additional 800mm of height to fully open

Generelle toleranser om ikke annet er oppgitt på tegning	Tilatte avvik for måleområde. Gjelder ved +20°C	
General tolerances if not other stated on drawing	Permissible deviations for basic length size range. Valid +20°C	
0-20	>20-75	>75-150
±0,5mm	± 1mm	±1,5mm
		±1,3%
		±1%

- 18010 - CPX 10000 L - 1,2 density black
- 18011 - CPX 10000 L - 1,85 density black
- 18012 - CPX 10000 L - 1,2 density Nat
- 18013 - CPX 10000 L - 1,85 density Nat

Constructed by - date	Evaluated by	Approved by - date	General Tolerances	Material	Finish, Ra	View	Scale
GEP 29.01.2018	LH	12.02.2018	NS-ISO 2768-1	LDPE			1:30
Owner	Title/Description		Drawing number		Revision	Sheet size	Sheet
	18012		1241 - 312			A3	1(1)
	10000 litre exentric - 1,2 density						

