




CPX Varastosäiliö kartiopohjalla 10000L, Maalattu jalusta

Height including stand: 4030 mm Height excluding stand:
3600 mm. For fluids with density up to 1,2

Art.nr: 18027



Arvioitu koko

Tekniset tiedot	
Materiaali	PE
Muoto	Lieriömäinen
Pohjan muoto	Kartiomainen
Esitys	Suljettu
Kansityyppi	
Väri	Luonnollinen
Tilavuus (L)	10000
Korkeus (mm)	4030
Halkaisija (mm)	2140
Pinta-ala (m2)	4,6
Paino (kg)	795
Tiheyspitoisuus (max kg/l)	1,2
Tullitilastojen numero	3925100000
Kierrätys	

Ominaisuudet



Säiliöt voidaan
varustaa yhteillä



Kierrätettävä
materiaali



Laaja lämpötila-
alue



Hyvä kemikaali-
ja
korroosiokestä-
vyys



Tiiveystaus



Logistiikkaratkai-
sut



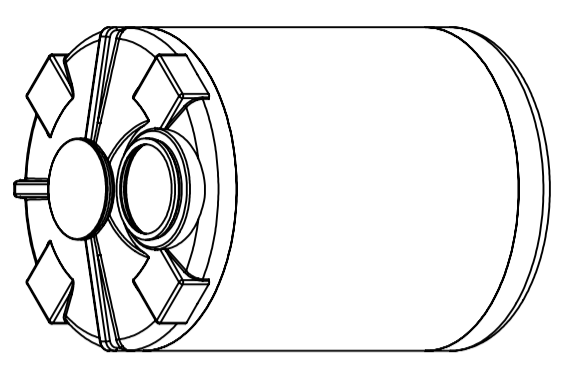
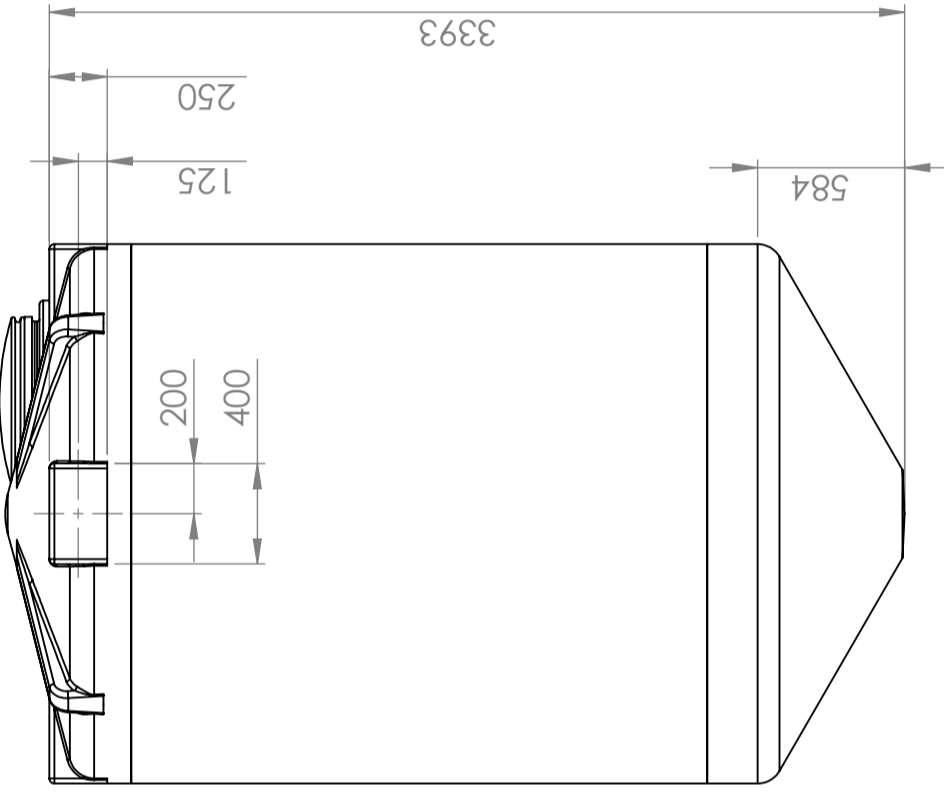
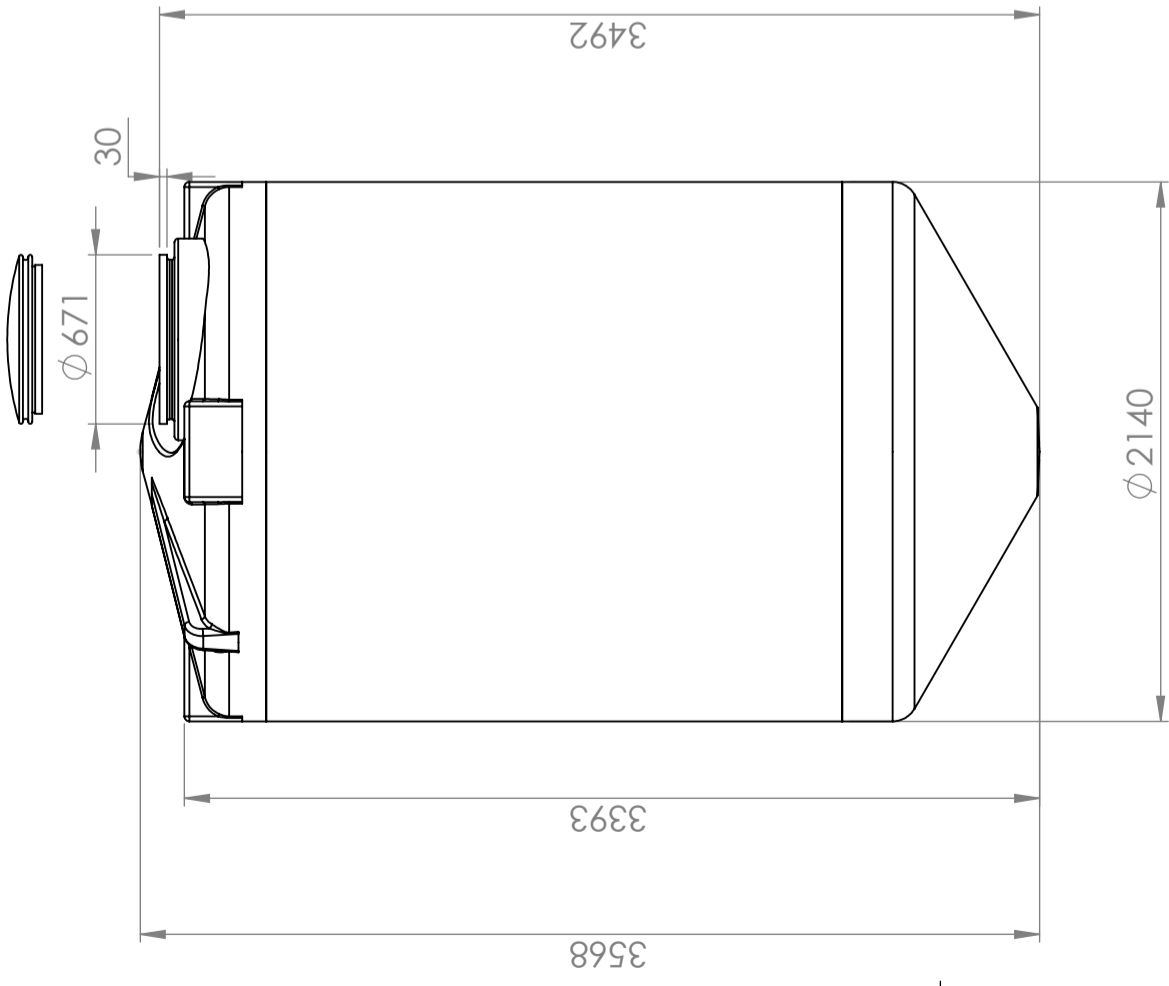
Elintarvikehyväk-
syntä



Tuotteet on
helppo
puhdistaa

Painettu 18.4.2024

This drawing and design is the property of CIPAX. Copying and distribution of the drawing or any contents is prohibited without written permission from authorised personal at CIPAX



"Manhole requires 800 mm space to open fully. Compared to maximum height"

Constructed by - date	Approved by - date	General Tolerances	Material	Finish, Ra	View	Scale
M.P 22.04.2013		NS-ISO 2768-1	LDPE	grit 120		1:30
Owner	Title/Description					
	1225741		10000 L Kon excentric			
	Drawing number		Revision	Sheet size	Sheet	
	627 - 34		A	A3	1(2)	

Generelle toleranser om ikke annet oppgitt på tegning	Tilatte avvik for måleområdet. Gjelder ved +20° C		
General tolerances if not other stated on drawing	Permissible deviations for basic length size range. Valid +20° C		
	0-20	>20-75	>75-150
	±0.5mm	±1mm	±1.5mm
		±1.3%	±1%
			>300
			±1%

REVISIONS			
ZONE	REV.	DESCRIPTION	DATE
A	A	Renamed part to 1225741. Made a new drawing and updated views. M.P	22.04.2013

1 2 3 4 5 6 7 8

A B C D E F

1

2

3

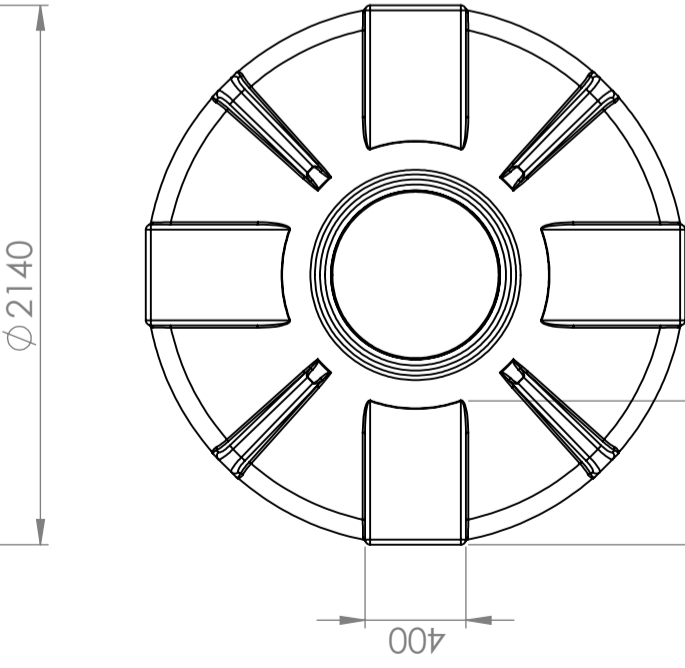
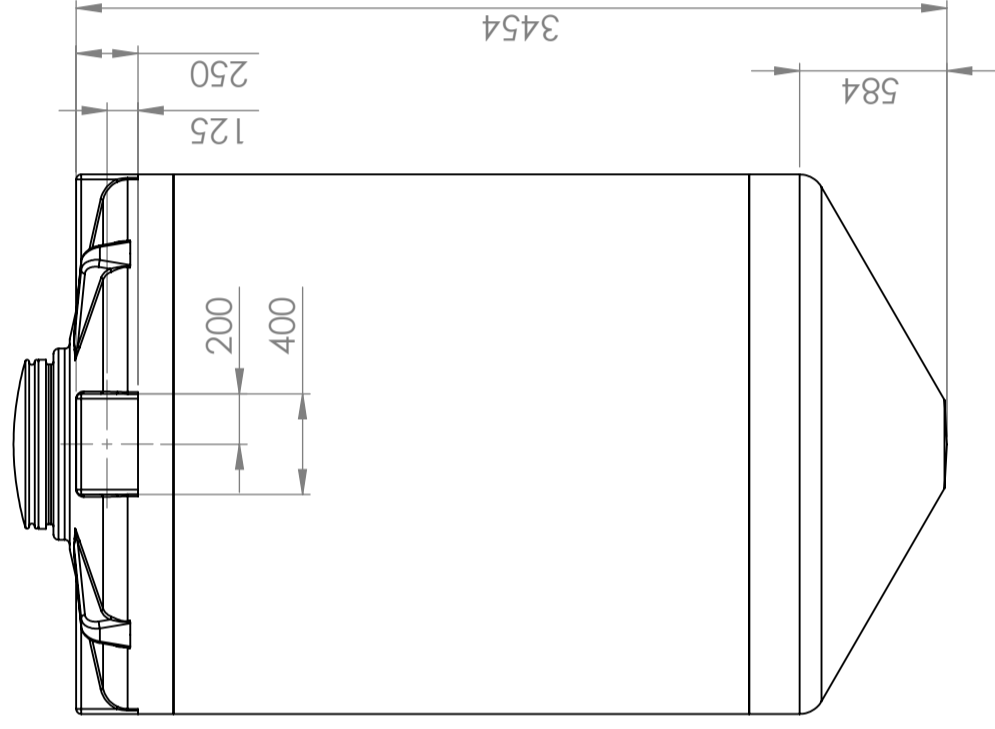
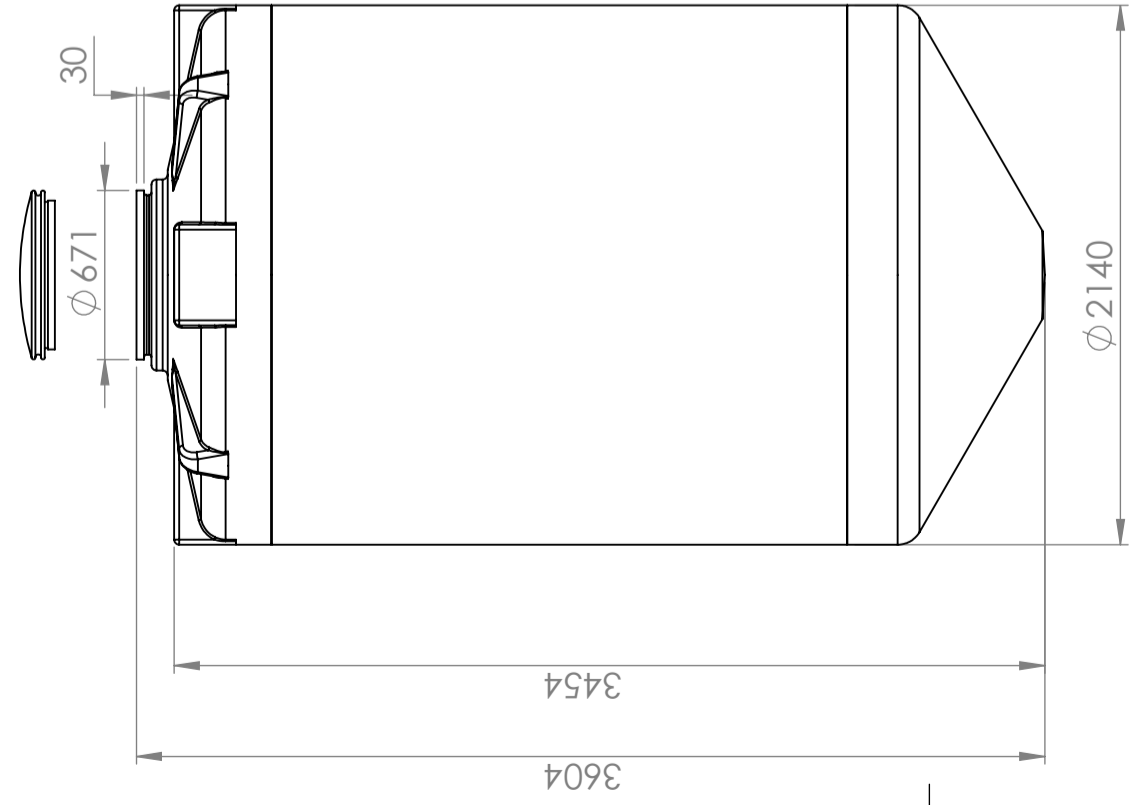
4

5

6

7

8



"Manhole requires 800 mm space to open fully. Compared to maximum height"

Constructed by - date	Approved by - date	General Tolerances	Material	Finish, Ra	View	Scale
M.P 22.04.2013		NS-ISO 2768-1	LDPE	grit 120		1:30
Owner	Title/Description					
	1225741		10000 L Kon center			
	Drawing number		Revision			
	627 - 34		A			
			Sheet size		Sheet	
			A3		2(2)	

Tillatte avvik for måleområdet. Gjelder ved +20° C Permissible deviations for basic length size range. Valid +20° C	
0-20	>75-150
±0,5mm	±1,5mm
±1mm	±1,3%
±1,3%	±1%
>300	>300

REVISIONS			
ZONE	REV.	DESCRIPTION	DATE
-	A	Renamed part to 1225741. Made a new drawing and updated views. M.P	22.04.2013
			APPROVED

This drawing and design is the property of CIPAX. Copying and distribution of the drawing or any contents is prohibited without written permission from authorised personal at CIPAX