



CPX Varastosäiliö karttiopohjalla 10000L

Height including stand: 3970 mm Height excluding stand:
3600 mm. For fluids with density up to 1,2

Art.nr: 18018

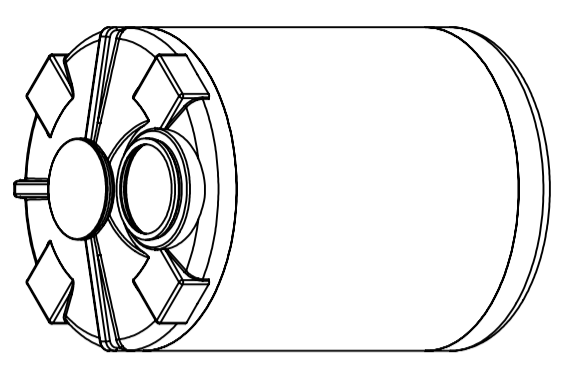
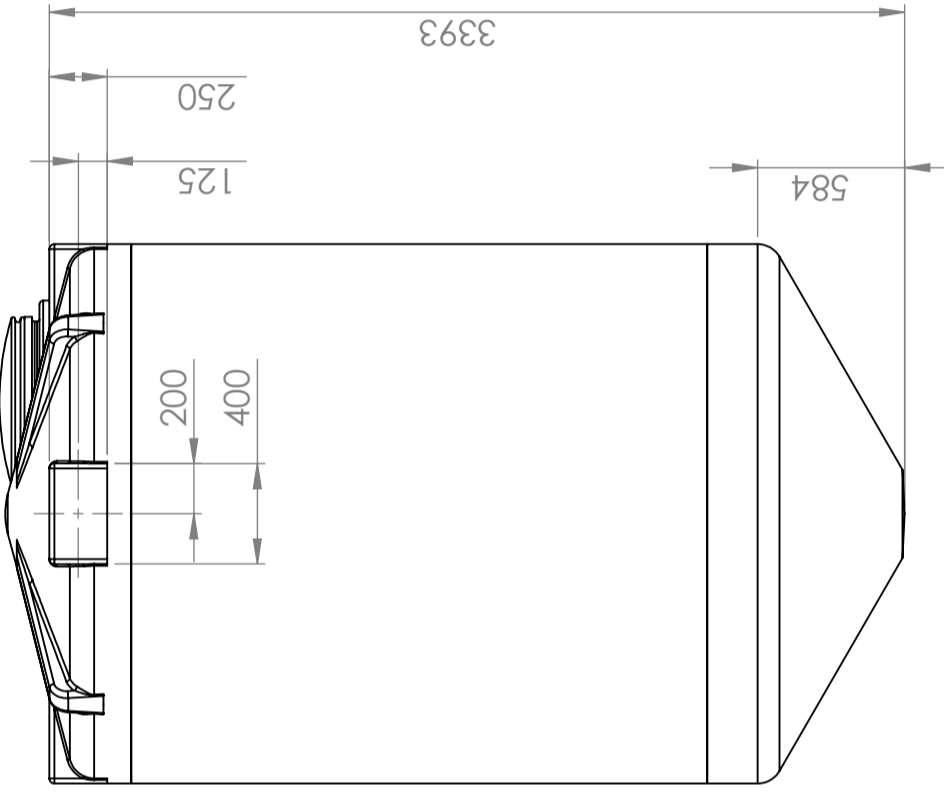
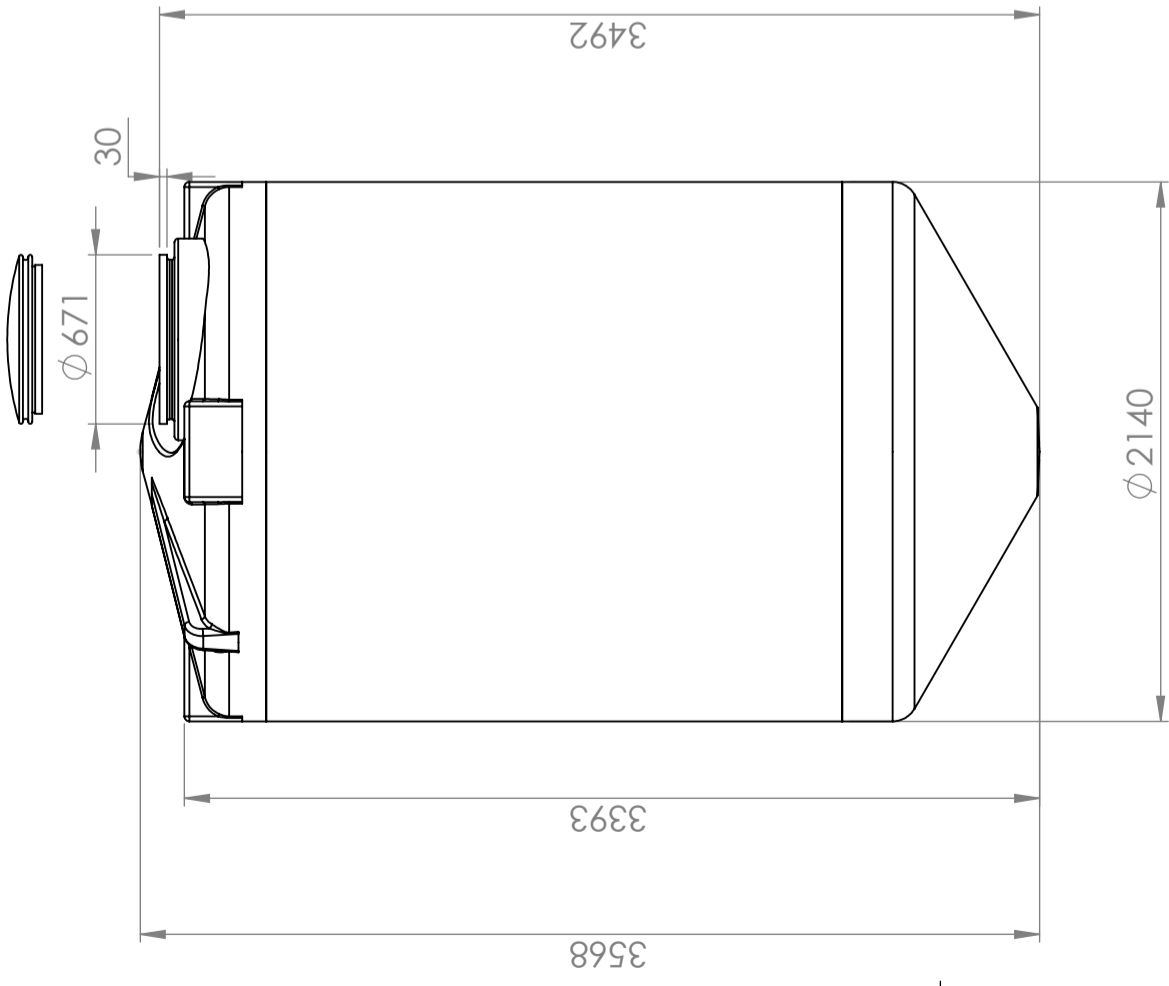
Tekniset tiedot

Pohjan muoto	Kartiomainen
Tilavuus (L)	10000
Korkeus (mm)	3568
Halkaisija (mm)	2140
Tiheyspitoisuus (max kg/l)	1,2

Kierrätys



This drawing and design is the property of CIPAX. Copying and distribution of the drawing or any contents is prohibited without written permission from authorised personnel at CIPAX



"Manhole requires 800 mm space to open fully. Compared to maximum height"

Constructed by - date	Approved by - date	General Tolerances	Material	Finish, Ra	View	Scale
M.P 22.04.2013		NS-ISO 2768-1	LDPE	grit 120		1:30
Owner	Title/Description					
	1225741		10000 L Kon excentric			
	Drawing number		Revision	Sheet size	Sheet	
	627 - 34		A	A3	1(2)	

Generelle toleranser om ikke anner oppgitt på tegning	Tilatte avvik for måleområdet. Gjelder ved +20° C		
General tolerances if not other stated on drawing	Permissible deviations for basic length size range. Valid +20° C		
	0-20	>20-75	>75-150
	±0.5mm	±1mm	±1.5mm
		±1.3%	±1%
			>300
			±1%

REVISIONS			
ZONE	REV.	DESCRIPTION	DATE
A	A	Renamed part to 1225741. Made a new drawing and updated views. M.P	22.04.2013

1 2 3 4 5 6 7 8

A B C D E F

1

2

3

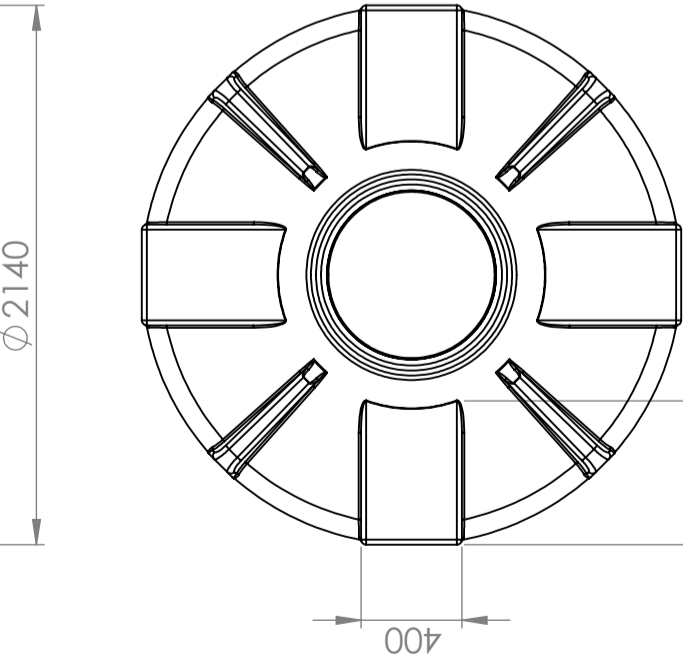
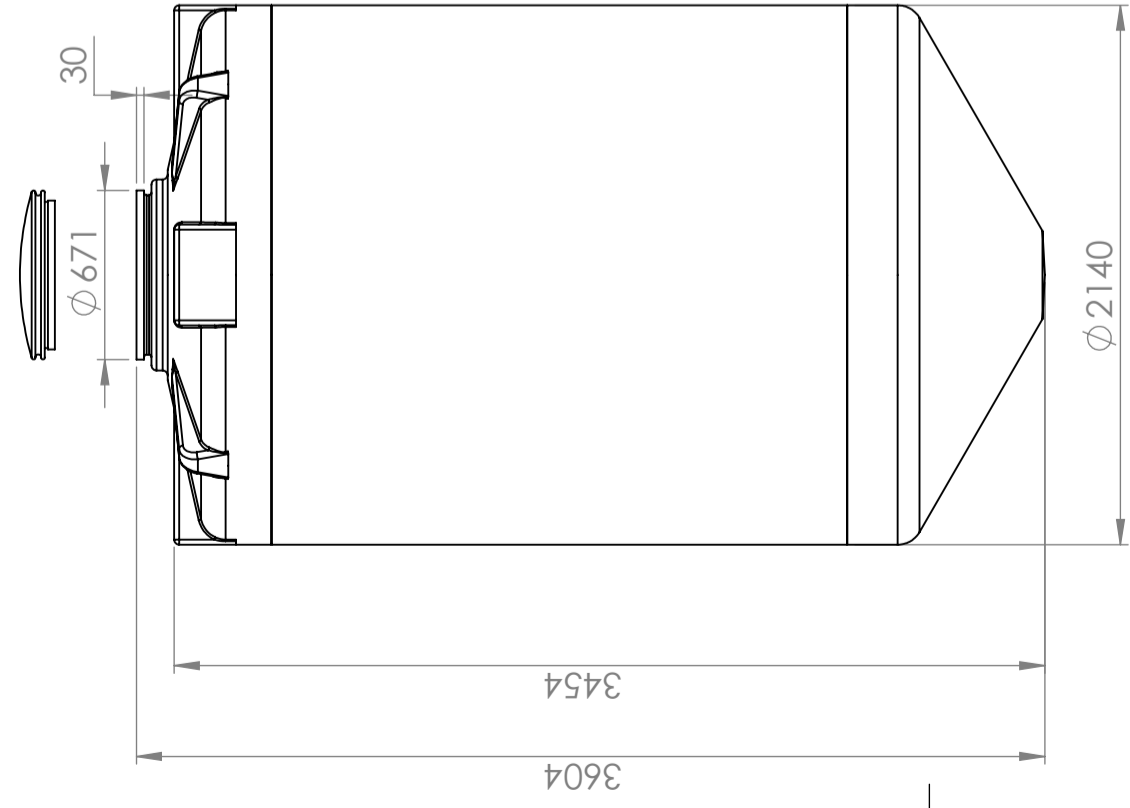
4

5

6

7

8



This drawing and design is the property of CIPAX. Copying and distribution of the drawing or any contents is prohibited without written permission from authorised personnel at CIPAX

"Manhole requires 800 mm space to open fully. Compared to maximum height"

Constructed by - date	Approved by - date	General Tolerances	Material	Finish, Ra	View	Scale
M.P 22.04.2013		NS-ISO 2768-1	LDPE	grit 120		1:30
Owner	Title/Description					
	1225741		10000 L Kon center			
	Drawing number		Revision		Sheet	
	627 - 34		A		A3 2(2)	



REVISIONS

ZONE	REV.	DESCRIPTION	DATE	APPROVED
-	A	Renamed part to 1225741. Made a new drawing and updated views. M.P	22.04.2013	-

A B C D E F

1 2 3 4 5 6 7 8